

PLEASE CHECK WWW.MOLEX.COM FOR LATEST PART INFORMATION

Part Number: [0738260001](#)
Status: **Active**
Description: 1.27mm (.050") Pitch EBBI™ 50D Receptacle, Press-fit, Vertical, SCA-2, 80 Circuits

Documents:

[3D Model](#) [Product Specification PS-73826-0000 \(PDF\)](#)
[Drawing \(PDF\)](#) [RoHS Certificate of Compliance \(PDF\)](#)

Agency Certification

CSA LR19980
 UL E29179

General

Product Family PCB Receptacles
 Series [73826](#)
 Application Board-to-Board
 Application Tooling Part Link [621002601](#)
 Application Tooling Part Link [621002602](#)
 Product Name EBBI™

Physical

Circuits (Loaded) 80
 Color - Resin Black
 Durability (mating cycles max) 500
 Flammability 94V-0
 Glow-Wire Compliant No
 Guide to Mating Part Yes
 Material - Metal High Performance Alloy (HPA), Phosphor Bronze
 Material - Plating Mating Gold
 Material - Plating Termination Tin-Lead
 Material - Resin High Temperature Thermoplastic
 Number of Rows 2
 Orientation Vertical
 PC Tail Length (in) 0.117 In
 PC Tail Length (mm) 2.97 mm
 PCB Locator Yes
 PCB Retention Yes
 PCB Thickness Recommended (in) 0.093 In
 PCB Thickness Recommended (mm) 2.40 mm
 Packaging Type Tray
 Pitch - Mating Interface (in) 0.050 In
 Pitch - Mating Interface (mm) 1.27 mm
 Plating min: Mating (µin) 30
 Plating min: Mating (µm) 0.75
 Plating min: Termination (µin) 75
 Plating min: Termination (µm) 1.875
 Polarized to PCB Yes
 Temperature Range - Operating -40°C to +105°C
 Termination Interface: Style Through Hole - Compliant Pin

Electrical

Current - Maximum per Contact 1A
 Voltage - Maximum 30V

Material Info

Reference - Drawing Numbers

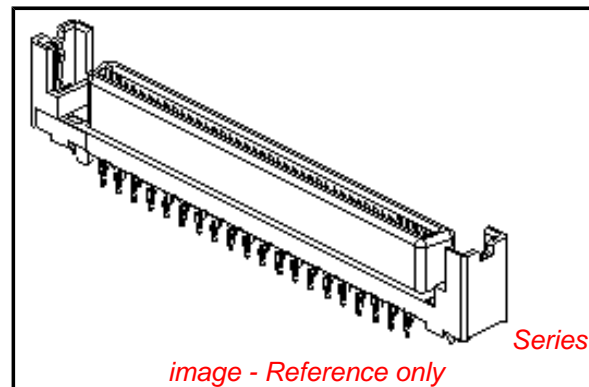


image - Reference only

EU RoHS

RoHS Compliant by Exemption
REACH SVHC
Contains SVHC: No
Halogen-Free
Status
Halogen-Free

China RoHS



Need more information on product environmental compliance?

Email productcompliance@molex.com
 For a multiple part number RoHS Certificate of Compliance, [click here](#)

Please visit the [Contact Us](#) section for any non-product compliance questions.

Search Parts in this Series

[73826Series](#)

Mates With

[87572](#) , [87571](#) , [87012](#)

Application Tooling | FAQ

Tooling specifications and manuals are found by selecting the products below. Crimp Height Specifications are then contained in the Application Tooling Specification document.

Global

Description	Product #
SCA-2 Upper Alignment Tool for 1.27mm (.050") Pitch SCA-2 Receptacle, Press-Fit Assembly, 73826 Series (80 Circuits)	0621002602
SCA-2 Lower Alignment Tool for 1.27mm (.050") Pitch	0621002601

Product Specification
Sales Drawing

PS-73826-0000
SD-73826-001

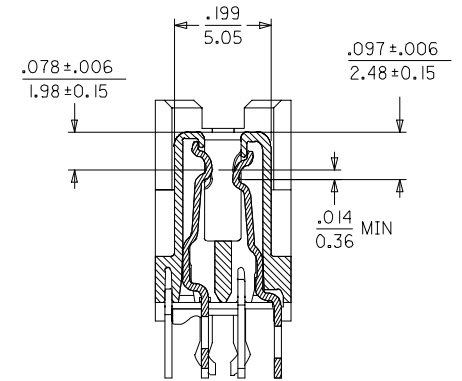
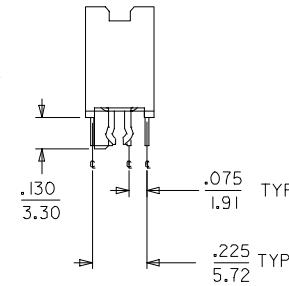
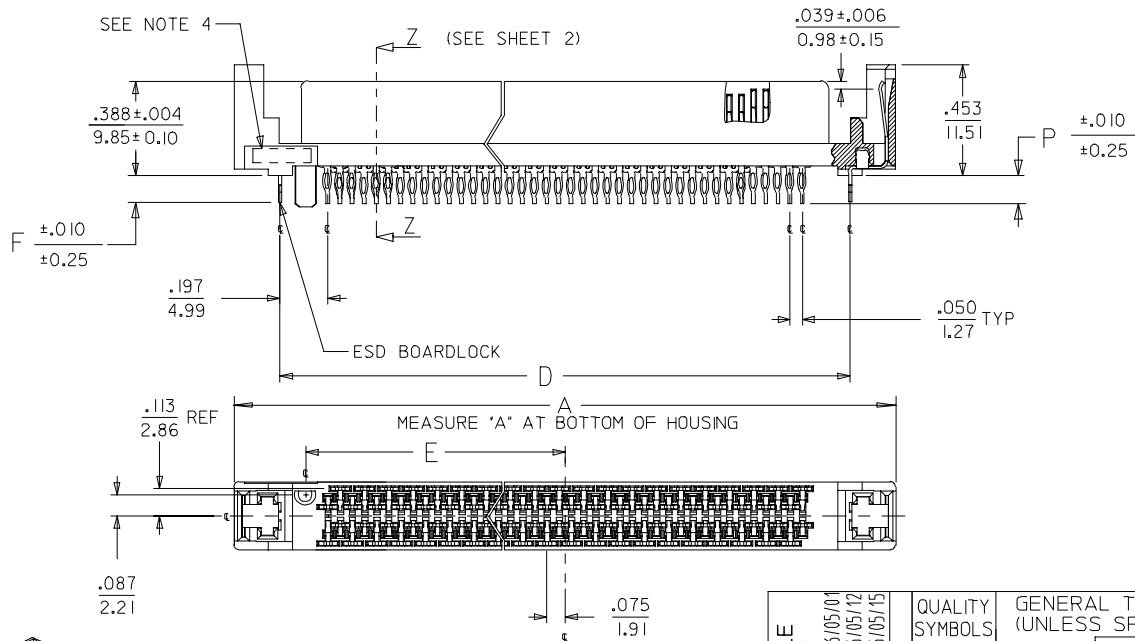
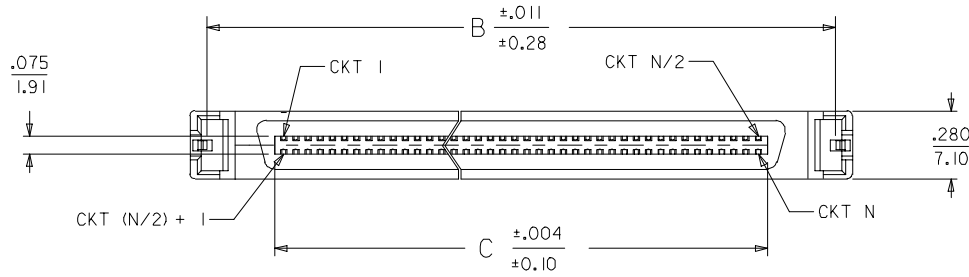
SCA-2 Receptacle,
Press-Fit Assembly,
73826 Series (80
Circuits)

This document was generated on 03/18/2010

PLEASE CHECK WWW.MOLEX.COM FOR LATEST PART INFORMATION

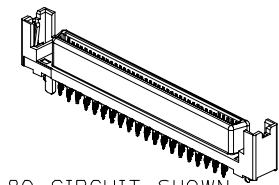
NOTES:

- MATERIAL:**
HOUSING: I.R. COMPATIBLE POLYMER, GLASS FILLED, UL 94 V 0, BLACK
TERMINALS: COPPER ALLOY
BOARDLOCK: COPPER ALLOY
- FINISH:**
TERMINALS: SELECTIVE GOLD IN CONTACT AREA
THICKNESS = 30 MICROINCHES / 0.763 MICROMETERS
SELECTIVE TIN-LEAD IN TAIL AREA
THICKNESS = 100 MICROINCHES / 2.54 MICROMETERS
NICKEL UNDERPLATE OVERALL.
ESD BOARDLOCK:
TIN OVERALL.
- PRODUCT SPECIFICATION:** PS-73826-0000
- FOUR DIGIT DATE CODE** IN THIS LOCATION (WK YR).
- CONTACT GAP** WILL ACCOMMODATE MATING CONNECTOR OF:
.063+/-0.003 (1.60+/- 0.08)
- PART MATES** WITH ALL PLUGS MFG. IN ACCORDANCE WITH EIA-700A0AE.



SECTION Z-Z
SCALE - 4:1

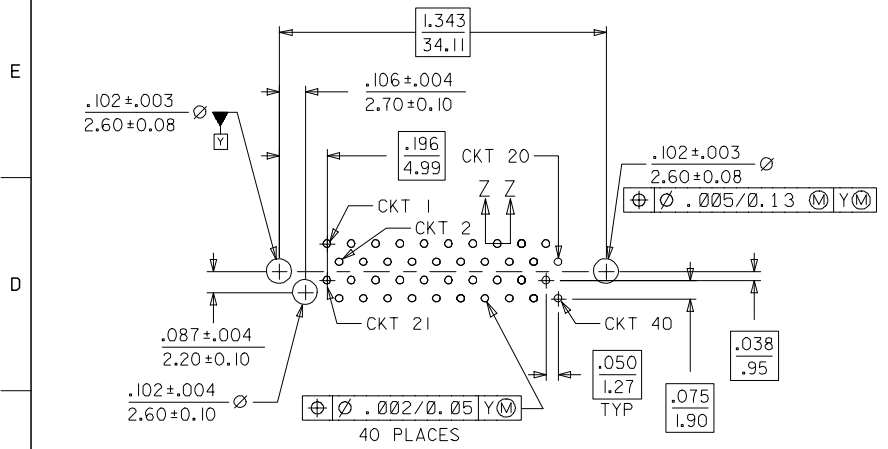
2	K
1	K
SHEET REVISION	



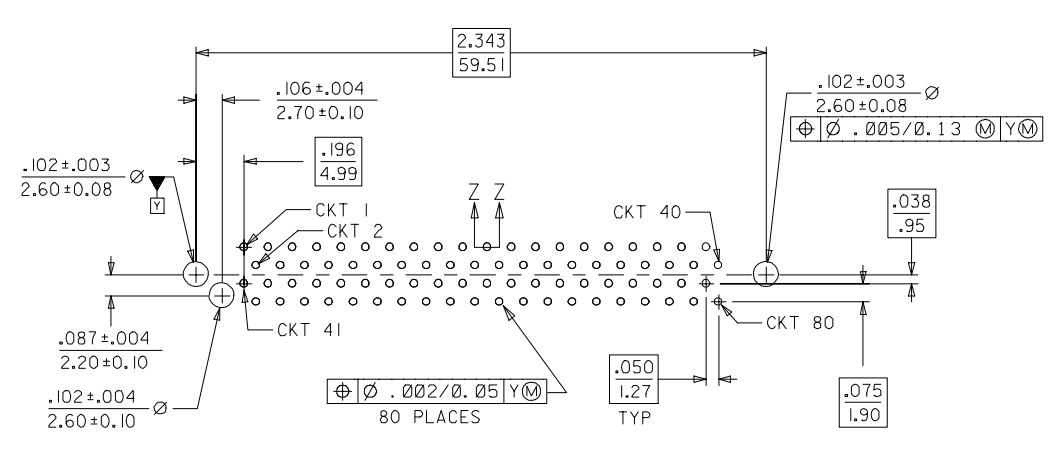
80 CIRCUIT SHOWN
SCALE - 1:1

CLARIFY PCB HOLE EC NO: UCP2006-2509 DRWN: BARKER 2006/05/01 CHKD: BSMART 2006/05/12 APPR: SMILLER 2006/05/15	QUALITY SYMBOLS	GENERAL TOLERANCES (UNLESS SPECIFIED)	DIMENSION STYLE	SCALE	DESIGN UNITS	THIRD ANGLE PROJECTION SALES ASSEMBLY MOLEX SCA-2 PRESS-FIT RECEPTACLE MOLEX INCORPORATED	
	▽=0 ▽=0	mm INCH 4 PLACES ± --- ± --- 3 PLACES ± --- ± .005 2 PLACES ± 0.13 ± .010 1 PLACE ± 0.25 ± --- ANGULAR ±1/2°	IN/MM	2:1	INCH		
	DRAWN BY: ACHAMMER DATE: 12/09/1997 CHECKED BY: DATE: APPROVED BY: BANAK IS DATE: 02/12/1998	DRAFT WHERE APPLICABLE MUST REMAIN WITHIN DIMENSIONS		TITLE	DOCUMENT NO.		SHEET NO.
	MATERIAL NO. SEE TABLE SIZE B THIS DRAWING CONTAINS INFORMATION THAT IS PROPRIETARY TO MOLEX INCORPORATED AND SHOULD NOT BE USED WITHOUT WRITTEN PERMISSION			SD-73826-001			1 OF 2

MATERIAL NUMBER	CIRCUIT SIZE	DIMENSION A	DIMENSION B	DIMENSION C	DIMENSION D	DIMENSION E	DIMENSION F	DIMENSION P	ADVANCED TERMINALS / CIRCUITS (SECTION Z-Z, SHEET 1)
738260001	80	2.717/(69.0)	2.583/(65.6)	2.025/(51.44)	2.343/(59.5)	1.066/(27.06)	.109/(2.77)	.125/(3.18)	1, 36, 37, 38, 39, 40, 41, 42, 43, 45, 46, 75, 76, 77, 78, 79, 80
738260002	40	1.717/(43.6)	1.583/(40.2)	1.025/(26.04)	1.343/(34.1)	.566/(14.38)	.109/(2.77)	.125/(3.18)	21, 22, 23, 26, 29, 32, 35, 36, 37, 38, 39, 40
738260003	80	2.717/(69.0)	2.583/(65.6)	2.025/(51.44)	2.343/(59.5)	1.066/(27.06)	.109/(2.77)	.135/(3.43)	1, 36, 37, 38, 39, 40, 41, 42, 43, 45, 46, 75, 76, 77, 78, 79, 80
738260004	40	1.717/(43.6)	1.583/(40.2)	1.025/(26.04)	1.343/(34.1)	.566/(14.38)	.109/(2.77)	.135/(3.43)	21, 22, 23, 26, 29, 32, 35, 36, 37, 38, 39, 40

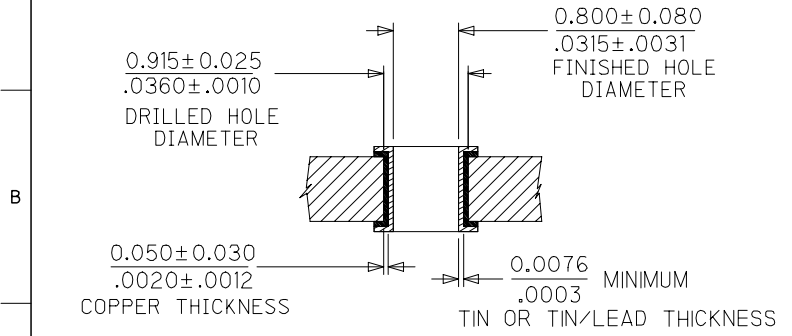


PCB LAYOUT FOR 40 CIRCUIT COMPONENT SIDE



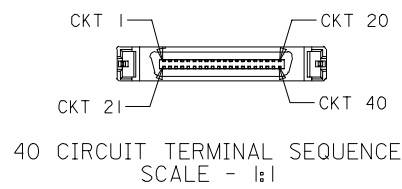
PCB LAYOUT FOR 80 CIRCUIT COMPONENT SIDE

RECOMMENDED BOARD THICKNESS = .093

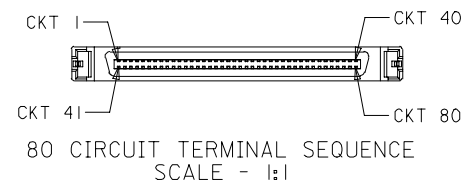


NOTE: SECTION Z-Z - RECOMMENDED PCB HOLE CONFIGURATION

THE DRILLED HOLE SIZE IS BASED ON THE RECOMMENDED PLATING AND THICKNESSES. IF OTHER PLATING TYPES AND/OR THICKNESSES ARE USED, A DRILL SIZE THAT WILL RESULT IN THE FINISHED HOLE SIZE INDICATED WILL NEED TO BE USED.



40 CIRCUIT TERMINAL SEQUENCE SCALE - 1:1



80 CIRCUIT TERMINAL SEQUENCE SCALE - 1:1

CLARIFY PCB HOLE EC NO: UCP2006-2509 DRWN: BARKER 2006/05/01 CHKD: BSMART 2006/05/12 APPR: SMILLER 2006/05/15	QUALITY SYMBOLS ▽=0 ▽=0	GENERAL TOLERANCES (UNLESS SPECIFIED) <table border="1"> <thead> <tr> <th></th> <th>mm</th> <th>INCH</th> </tr> </thead> <tbody> <tr> <td>4 PLACES</td> <td>± ---</td> <td>± ---</td> </tr> <tr> <td>3 PLACES</td> <td>± ---</td> <td>± .005</td> </tr> <tr> <td>2 PLACES</td> <td>± 0.13</td> <td>± .010</td> </tr> <tr> <td>1 PLACE</td> <td>± 0.25</td> <td>± ---</td> </tr> </tbody> </table> ANGULAR ±1/2°		mm	INCH	4 PLACES	± ---	± ---	3 PLACES	± ---	± .005	2 PLACES	± 0.13	± .010	1 PLACE	± 0.25	± ---	DIMENSION STYLE IN/MM DRAWN BY: ACHAMMER DATE: 12/09/1997 CHECKED BY: DATE: APPROVED BY: ACHAMMER DATE: 02/10/1998 DATE:	SCALE 2:1 DESIGN UNITS INCH THIRD ANGLE PROJECTION	TITLE SALES ASSEMBLY MOLEX SCA-2 PRESS-FIT RECEPTACLE
		mm	INCH																	
	4 PLACES	± ---	± ---																	
	3 PLACES	± ---	± .005																	
2 PLACES	± 0.13	± .010																		
1 PLACE	± 0.25	± ---																		
MATERIAL NO. SEE TABLE	DOCUMENT NO. SD-73826-001	SHEET NO. 2 OF 2	MOLEX MOLEX INCORPORATED																	
DRAFT WHERE APPLICABLE MUST REMAIN WITHIN DIMENSIONS	THIS DRAWING CONTAINS INFORMATION THAT IS PROPRIETARY TO MOLEX INCORPORATED AND SHOULD NOT BE USED WITHOUT WRITTEN PERMISSION																			
REV K	DESCRIPTION																			