

Tous droits strictement réservés. Reproduction ou communication a des tiers interdite sous quelque forme que ce soit sans autorisation écrite du propriétaire. Propriété de c FCI. Droits de reproduction FCI.



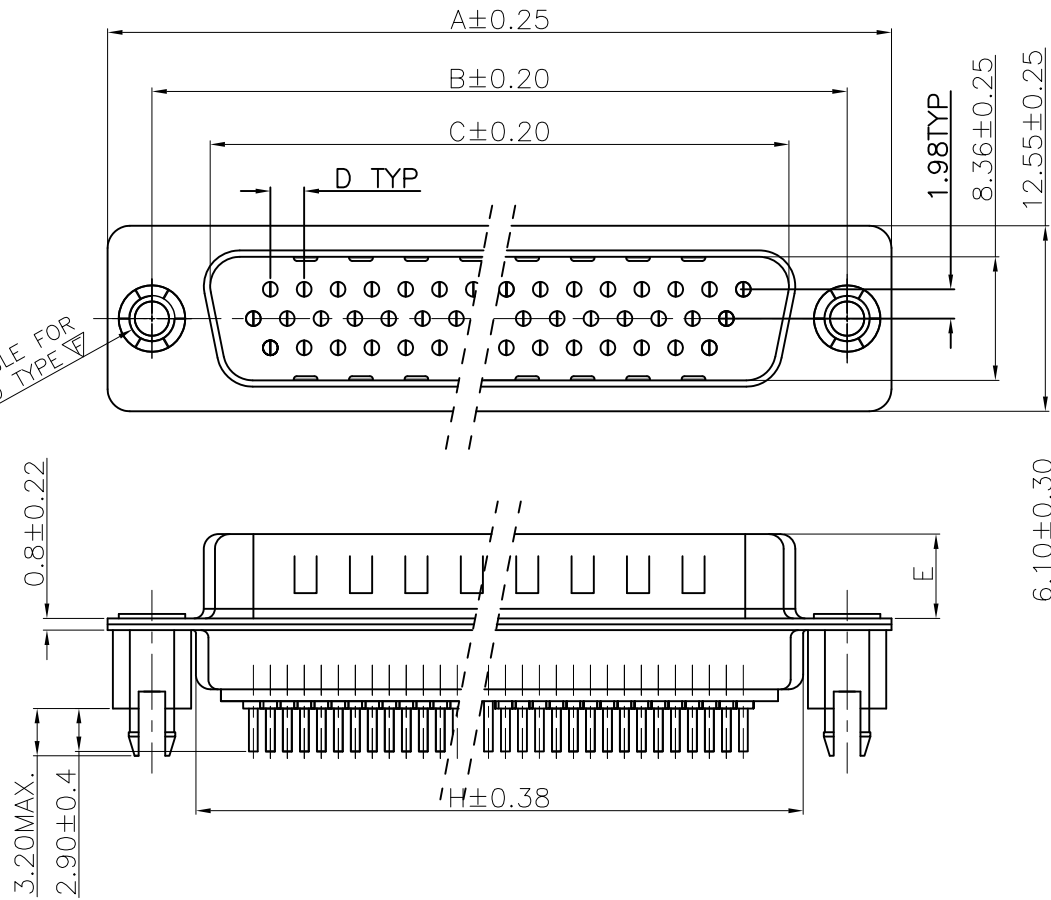
All rights strictly reserved. Reproduction or issue to third parties in any form whatever is not permitted without written authority from the proprietor. Property of FCI. Copyright FCI.

B

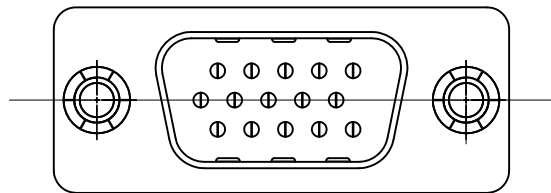
1 | 2

3

4



SEE TABLE FOR  
THREAD TYPE



FOR 15P

REMARK:

1. CHARACTERISTICS:

RATED VOLTAGE: 250V  
 RATED CURRENT: 2.5AMP  
 CONTACT RESISTANCE: 25mohms MAX. INITIAL,  
 40mohms MAX. AFTER.  
 INSULATION RESISTANCE: 5000Mohms MIN. at 500V DC  
 DIELECTRIC STRENGTH: 750VRMS  
 OPERATING TEMPERATURE RANGE: -55° C~105° C  
 INSERTION/EXTRACTION FORCE PER CONTACT: 5N Max./0.2N Min.  
 MATING/UNMATING CYCLES: 200MATINGS MIN FOR GOLD-FLASH  
 500MATINGS MIN FOR 30u" GOLD.

2. MATERIAL:

INSULATORS: THERMOPLASTIC G.F(UL94V-0) BLACK  
 CONTACTS: COPPER ALLOY, GOLD(G/F or 30u") TOP OVER CONTACT  
 AREA, 100u" Min MATTE TIN TOP OVER SOLDER AREA,  
 50u" Min NICKEL UNDER PLATE.  
 SHELL: CARBON STEEL, 100u" Min NICKEL TOP OVER,  
 50u" Min COPPER UNDER PLATE.  
 HARPOON: COPPER ALLOY, 100u" Min MATTE TIN PLATED.

3. PART NUMBER DESCRIPTION: 10090928-P XX X X LF

SERIES NO. \_\_\_\_\_  
 TYPE \_\_\_\_\_  
 P: PIN (MALE)  
 NUMBER OF CONTACTS \_\_\_\_\_  
 15: 15-PIN  
 26: 26-PIN  
 44: 44-PIN  
 62: 62-PIN  
 LF: ROHS COMPLIANT  
 FLANGE MOUNTING OPTION  
 X: UNC #4-40 CLINCHNUTS  
 L: M3 CLINCHNUTS  
 CONTACT FINISH  
 4: GOLD FLASH  
 6: 30u" GOLD

POS.	PART NO.	THREAD TYPE
15	10090928-P15*LLF	M3X0.5
26	10090928-P26*LLF	M3X0.5
44	10090928-P44*LLF	M3X0.5
62	10090928-P62*LLF	M3X0.5
15	10090928-P15*XLF	UNC #4-40
26	10090928-P26*XLF	UNC #4-40
44	10090928-P44*XLF	UNC #4-40
62	10090928-P62*XLF	UNC #4-40

POS.	A	B	C	D	E	H
15	30.81	24.99	16.92	2.29	5.90 <sup>+0.25</sup> <sub>0</sub>	19.10
26	39.24	33.32	25.25	2.29	5.90 <sup>+0.25</sup> <sub>0</sub>	27.75
44	53.04	47.04	38.96	2.29	5.70 <sup>+0.25</sup> <sub>0</sub>	41.30
62	69.32	63.50	55.42	2.41	5.70 <sup>+0.25</sup> <sub>0</sub>	57.40

mat'l. code				tolerances unless otherwise specified				CUSTOMER COPY		FCI		www.fciconnect.com		
ltr	ecn no	dr	date	linear		.X ± 0.38		projection		title				
A	T09-1156	J.H	12/10/09	.XX ± 0.25				⊕		H/D D-SUB MALE STRAIGHT				
B	T10-0164	J.H	10/19/10	.XXX ± 0.10				MM		product family		D-SUB		
				angles		0° ± 2'		scale		size		dwg no		
				dr		JASON HSU 10/19/10		1:1		A4		10090928		
				enr		JASON HSU 10/19/10						code		
				chr		GARY HSIEH 10/19/10						TWN		
				appd		JOSEPH HSIA 10/19/10						sheet		
sheet index		revision sheet		B	B	B	B	B	B			1 of 5		
				1	2	3	4	5						

1 | 2

3

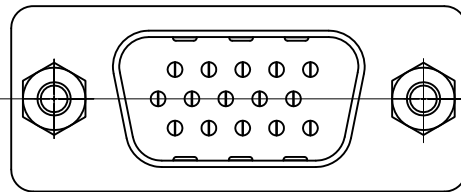
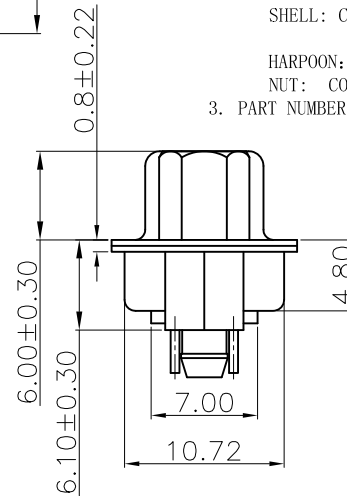
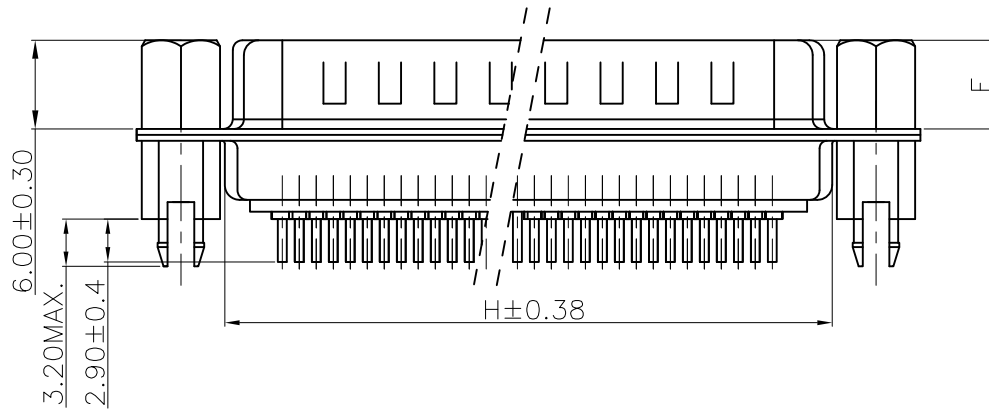
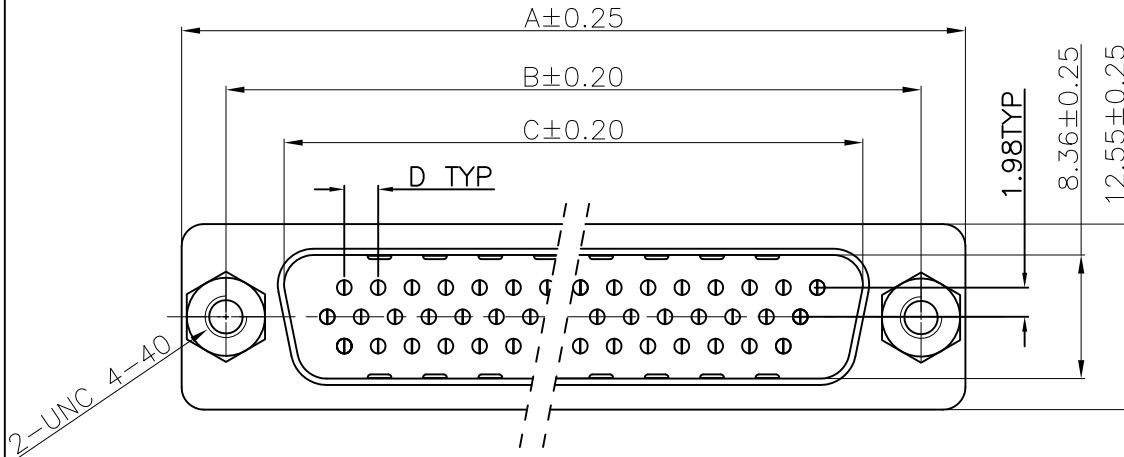
4

ACAD

PDM: Rev:B

STATUS: Released

Printed: Nov 02, 2010



FOR 15P

REMARK:

1. CHARACTERISTICS:

RATED VOLTAGE: 250V  
 RATED CURRENT: 2.5AMP  
 CONTACT RESISTANCE: 25mohms MAX. INITIAL, 40mohms MAX. AFTER.  
 INSULATION RESISTANCE: 5000Mohms MIN. at 500V DC  
 DIELECTRIC STRENGTH: 750VRMS  
 OPERATING TEMPERATURE RANGE: -55° C~105° C  
 INSERTION/EXTRACTION FORCE PER CONTACT: 5N Max./0.2N Min..  
 MATING/UNMATING CYCLES: 200MATINGS MIN FOR GOLD-FLASH 500MATINGS MIN FOR 30u" GOLD.

2. MATERIAL:

INSULATORS: THERMOPLASTIC G.F.(UL94V-0) BLACK  
 CONTACTS: COPPER ALLOY, GOLD(G/F or 30u") TOP OVER CONTACT AREA, 100u" Min MATTE TIN TOP OVER SOLDER AREA, 50u" Min NICKEL UNDER PLATE.  
 SHELL: CARBON STEEL, 100u" Min NICKEL TOP OVER, 50u" Min COPPER UNDER PLATE.  
 HARPOON: COPPER ALLOY, 100u" Min MATTE TIN PLATED.  
 NUT: COPPER ALLOY, 50u" Min NICKEL PLATED.

3. PART NUMBER DESCRIPTION: 10090928-P XX X X LF

SERIES NO. \_\_\_\_\_ LF: ROHS COMPLIANT  
 TYPE \_\_\_\_\_ FLANGE MOUNTING OPTION  
 P: PIN (MALE) V: UNC #4-40 SCREWLOCKS  
 NUMBER OF CONTACTS \_\_\_\_\_ CONTACT FINISH  
 15: 15-PIN 4: GOLD FLASH  
 26: 26-PIN 6: 30u" GOLD  
 44: 44-PIN  
 62: 62-PIN

POS.	PART NO.
15	10090928-P15*VLF
26	10090928-P26*VLF
44	10090928-P44*VLF
62	10090928-P62*VLF

POS.	A	B	C	D	E	H
15	30.81	24.99	16.92	2.29	5.90 <sup>+0.25</sup> <sub>0</sub>	19.10
26	39.24	33.32	25.25	2.29	5.90 <sup>+0.25</sup> <sub>0</sub>	27.75
44	53.04	47.04	38.96	2.29	5.70 <sup>+0.25</sup> <sub>0</sub>	41.30
62	69.32	63.50	55.42	2.41	5.70 <sup>+0.25</sup> <sub>0</sub>	57.40

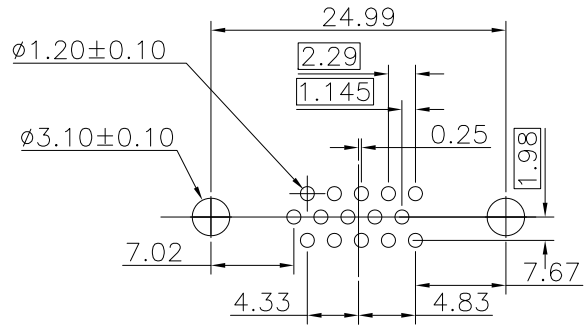
mat'l. code				tolerances unless otherwise specified		CUSTOMER COPY		FCI		www.fciconnect.com		
ltr	ecn no	dr	date	linear	.X ± 0.38	projection	title	H/D D-SUB MALE STRAIGHT				
B					.XX ± 0.25							
					.XXX ± 0.10							
				angles	0° ±2°			product family D-SUB		code		
				dr	JASON HSU			10/19/10	size dwg no		TWN	
				enr	JASON HSU			10/19/10	10090928		sheet 2 of 5	
				chr	GARY HSIEH	10/19/10	scale					
				appd	JOSEPH HSIA	10/19/10	1:1					
sheet index	revision sheet											



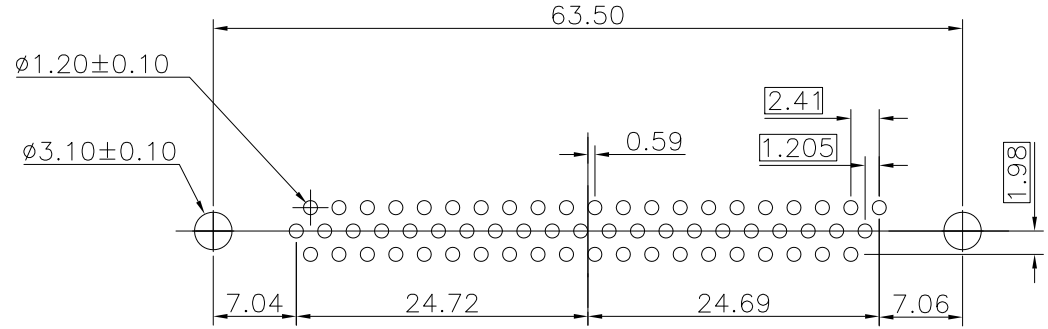
1 | 2

3 |

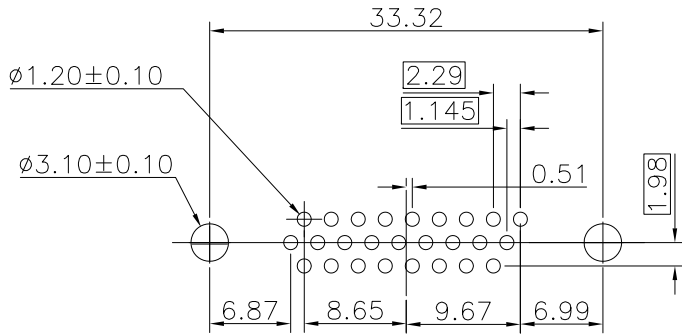
4



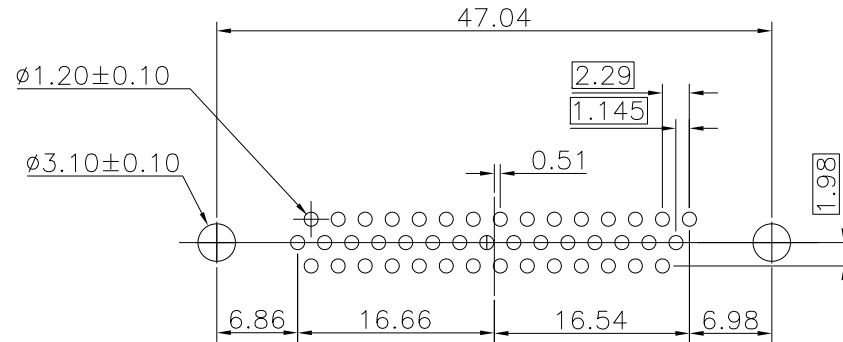
P.C.B LAYOUT(FOR 15P)



P.C.B LAYOUT(FOR 62P)



P.C.B LAYOUT(FOR 26P)



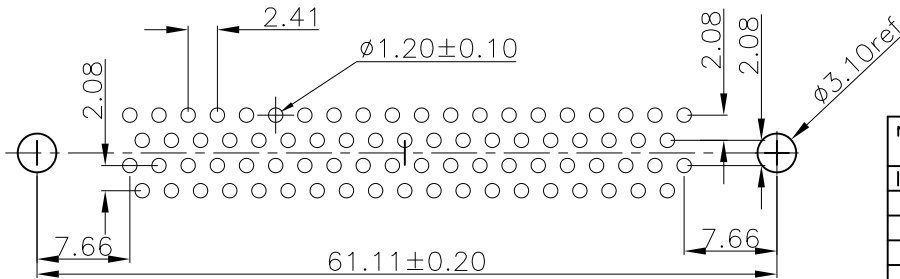
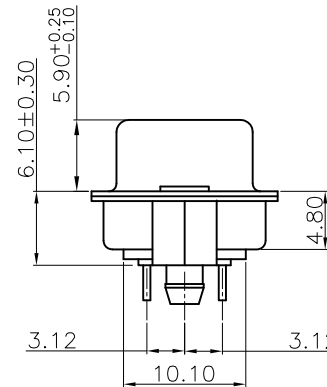
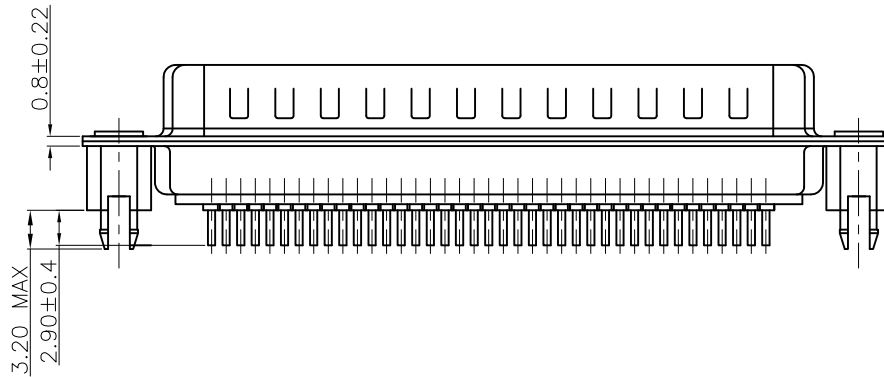
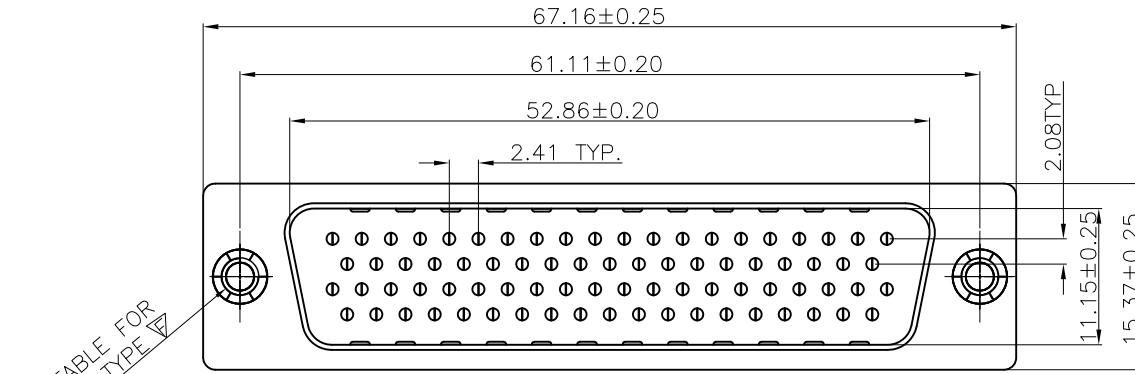
P.C.B LAYOUT(FOR 44P)

mat'l. code				tolerances unless otherwise specified			CUSTOMER COPY		 www.fciconnect.com			
ltr	ecn no	dr	date	linear	.X ± 0.38		projection	title				
B					.XX ± 0.25				H/D D-SUB MALE STRAIGHT PCB			
					.XXX ± 0.10				product family D-SUB		code	
				angles	0° ± 2°		 MM	size		TWN		
				dr	JASON HSU	10/19/10		scale	10090928		sheet	
				enrg	JASON HSU	10/19/10	1:1		dwg no		3 of 5	
				chr	GARY HSIEH	10/19/10			A4			
				appd	JOSEPH HSIA	10/19/10						
sheet index	revision sheet								cage code			

1 | 2

3 |

4



P.C.B LAYOUT

REMARK:

1. CHARACTERISTICS:

RATED VOLTAGE: 250V  
 RATED CURRENT: 2.5AMP  
 CONTACT RESISTANCE: 35mohms MAX. INITIAL,  
 50mohms MAX. AFTER.  
 INSULATION RESISTANCE: 5000Mohms MIN. at 500V DC  
 DIELECTRIC STRENGTH: 750VRMS  
 OPERATING TEMPERATURE RANGE: -55° C~105° C  
 INSERTION/EXTRACTION FORCE PER CONTACT: 5N Max. /0.2N Min.  
 MATING/UNMATING CYCLES: 200MATINGS MIN FOR GOLD-FLASH  
 500MATINGS MIN FOR 30u" GOLD.

2. MATERIAL:

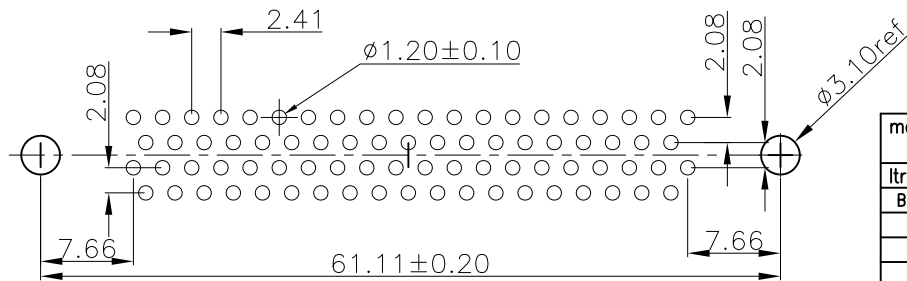
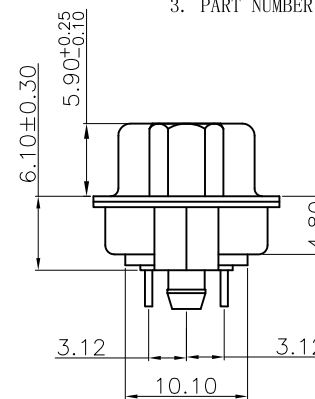
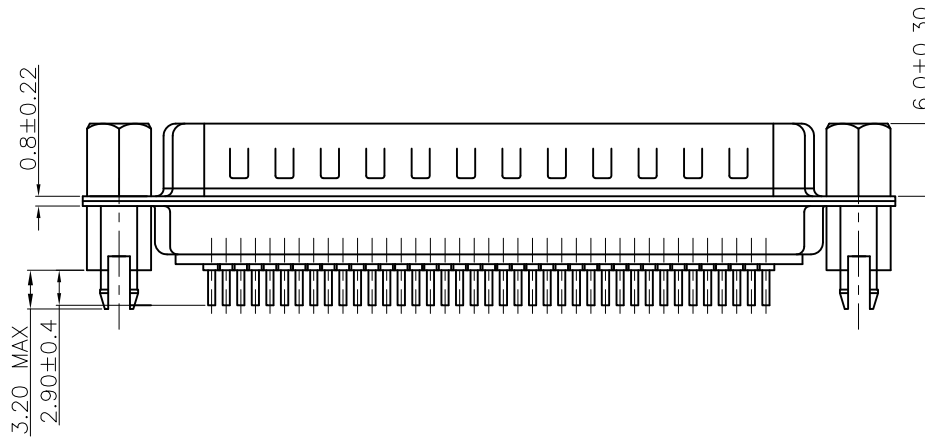
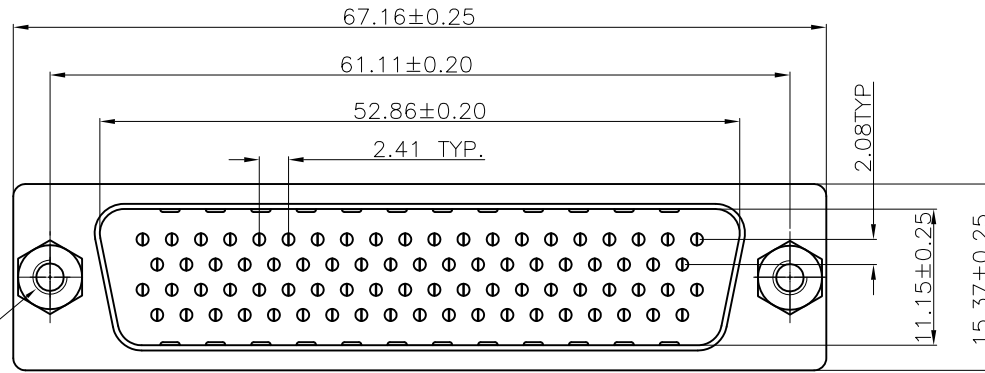
INSULATORS: THERMOPLASTIC G.F (UL94V-0) BLACK  
 CONTACTS: COPPER ALLOY, GOLD(G/F or 30u") TOP OVER CONTACT  
 AREA, 100u" Min MATTE TIN TOP OVER SOLDER AREA,  
 50u" Min NICKEL UNDER PLATE.  
 SHELL: CARBON STEEL, 100u" Min NICKEL TOP OVER,  
 50u" Min COPPER UNDER PLATE.  
 HARPOON: COPPER ALLOY, 100u" Min MATTE TIN PLATED.

3. PART NUMBER DESCRIPTION: 10090928-P XX X X LF

SERIES NO.		LF: ROHS COMPLIANT
TYPE	P: PIN (MALE)	FLANGE MOUNTING OPTION
NUMBER OF CONTACTS	78: 78-PIN	X: UNC #4-40 CLINCHNUTS L: M3 CLINCHNUTS
		CONTACT FINISH
		4: FLASH GOLD 6: 30u" GOLD

POS.	PART NO.	THREAD TYPE
78	10090928-P78*LLF	M3X0.5
78	10090928-P78*XLF	UNC #4-40

mat'l. code				tolerances unless otherwise specified			CUSTOMER COPY		FCI		www.fciconnect.com	
ltr	ecn no	dr	date	linear	.X ± 0.38		projection	title				
B					.XX ± 0.25			H/D D-SUB MALE STRAIGHT				
					.XXX ± 0.10							
				angles	0° ± 2°		MM		product family D-SUB		code	
				dr	JASON HSU	10/19/10	scale		size dwg no		TWN	
				enr	JASON HSU	10/19/10	1:1		10090928		sheet	
				chr	GARY HSIEH	10/19/10					4 of 5	
				appd	JOSEPH HSIA	10/19/10						
sheet index	revision sheet											



P.C.B LAYOUT

REMARK:

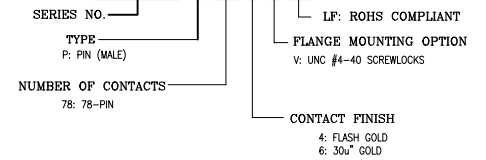
1. CHARACTERISTICS:

RATED VOLTAGE: 250V  
 RATED CURRENT: 2.5AMP  
 CONTACT RESISTANCE: 35mohms MAX. INITIAL,  
 50mohms MAX. AFTER.  
 INSULATION RESISTANCE: 5000Mohms MIN. at 500V DC  
 DIELECTRIC STRENGTH: 750VRMS  
 OPERATING TEMPERATURE RANGE: -55° C~105° C  
 INSERTION/EXTRACTION FORCE PER CONTACT: 5N Max. /0.2N Min.  
 MATING/UNMATING CYCLES: 200MATINGS MIN FOR GOLD-FLASH  
 500MATINGS MIN FOR 30u" GOLD.

2. MATERIAL:

INSULATORS: THERMOPLASTIC G.F(UL94V-0) BLACK  
 CONTACTS: COPPER ALLOY, GOLD(G/F or 30u") TOP OVER CONTACT  
 AREA, 100u" Min MATTE TIN TOP OVER SOLDER AREA,  
 50u" Min NICKEL UNDER PLATE.  
 SHELL: CARBON STEEL, 100u" Min NICKEL TOP OVER,  
 50u" Min COPPER UNDER PLATE.  
 HARPOON: COPPER ALLOY, 100u" Min MATTE TIN PLATED.  
 NUT: COPPER ALLOY, 50u" Min NICKEL PLATED.

3. PART NUMBER DESCRIPTION: 10090928-P XX X X LF



PART NO.: 10090928-P78\*VLF

mat'l. code				tolerances unless otherwise specified			CUSTOMER COPY		 www.fciconnect.com	
ltr	ecn no	dr	date	linear	.X ± 0.38	projection	title			
B					.XX ± 0.25		H/D D-SUB MALE STRAIGHT			
					.XXX ± 0.10					
				angles	0° ± 2°			product family D-SUB		code
				dr	JASON HSU 10/19/10	MM		size dwg no		TWN
				enr	JASON HSU 10/19/10	scale		10090928		sheet
				chr	GARY HSIEH 10/19/10	1:1		A4		5 of 5
				appd	JOSEPH HSIA 10/19/10					
sheet index	revision sheet									