

**PLEASE CHECK WWW.MOLEX.COM FOR LATEST PART INFORMATION**

**Part Number:** [0587190020](#)  
**Status:** **Active**  
**Description:** HMC™ Rectangular Industrial Panel-Mount Bracket, Multi-Module Type, 48-72 Circuits, Type B Polarization

**Documents:**

[3D Model](#) [Product Specification PS-58719-006 \(PDF\)](#)  
[Drawing \(PDF\)](#) [RoHS Certificate of Compliance \(PDF\)](#)  
[Product Specification PS-58719-005 \(PDF\)](#)

**Agency Certification**

TUV R72081037

**General**

Product Family I/O Connectors  
 Series [58719](#)  
 Application Panel-Mount  
 Component Type Panel-Mount Bracket  
 Product Name HMC™  
 Type N/A

**Physical**

Boot Color N/A  
 Circuits (Loaded) N/A  
 Circuits (maximum) 48  
 Durability (mating cycles max) 50  
 Gender Receptacle  
 Lock to Mating Part Yes  
 Material - Plating Mating n/a  
 Number of Rows 2  
 Orientation Vertical  
 PCB Locator No  
 Packaging Type Bag  
 Panel Mount Screws  
 Pitch - Mating Interface (in) 0.000 In  
 Pitch - Mating Interface (mm) 0.00 mm  
 Polarized to Mating Part Yes  
 Ports 1  
 Surface Mount Compatible (SMC) N/A  
 Temperature Range - Operating -55°C to +125°C  
 Termination Interface: Style N/A  
 Waterproof / Dustproof Yes  
 Waterproof / Dustproof Type IP65

**Electrical**

Current - Maximum per Contact 20A  
 Shield Type Full Shield  
 Shielded Yes  
 Voltage - Maximum 300V DC

**Material Info**

**Reference - Drawing Numbers**

Product Specification PS-58719-005, PS-58719-006, RPS-58719-003, RPS-58719-004, RPS-58719-006, RPS-58719-007, RPS-58719-008  
 Sales Drawing SD-58719-002

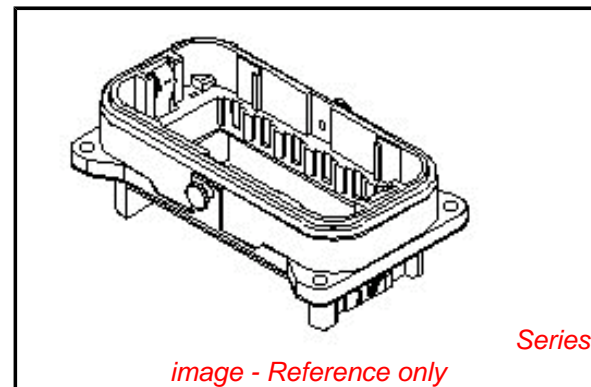


image - Reference only

**EU RoHS**

**RoHS Compliant by Exemption**  
**REACH SVHC**  
 Not Reviewed  
**Halogen-Free**  
**Status**  
**Not Reviewed**

**China RoHS**



**Need more information on product environmental compliance?**

Email [productcompliance@molex.com](mailto:productcompliance@molex.com)  
 For a multiple part number RoHS Certificate of Compliance, [click here](#)

Please visit the [Contact Us](#) section for any non-product compliance questions.

**Search Parts in this Series**

[58719Series](#)

**Mates With**

[58723 hood](#), [58721-0020 hood bracket](#)

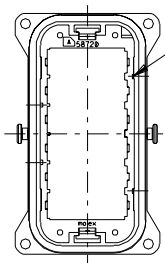
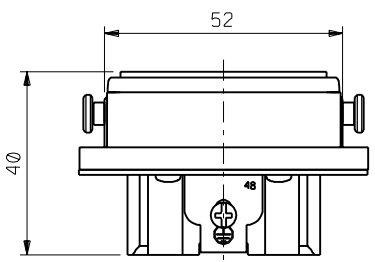
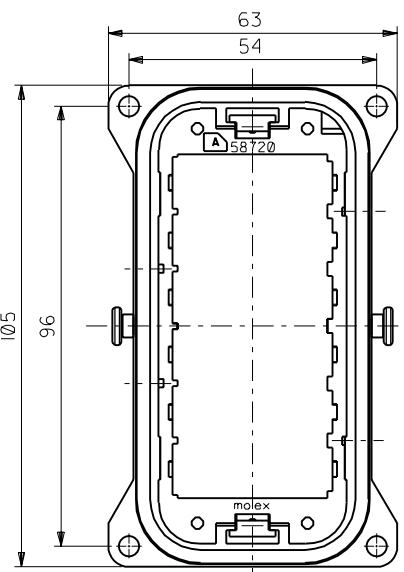
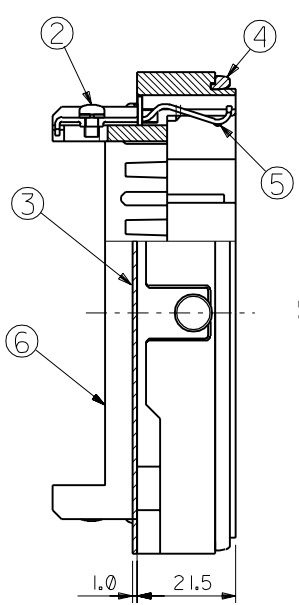
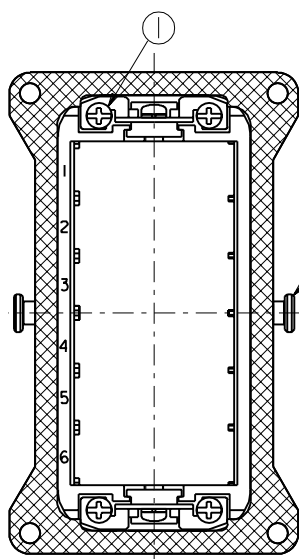
**Use With**

[51202 dust cover](#), [51194 housing](#), [51195 housing](#), [51203 housing](#), [51204 housing](#)

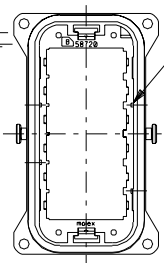
This document was generated on 04/05/2010

**PLEASE CHECK [WWW.MOLEX.COM](http://WWW.MOLEX.COM) FOR LATEST PART INFORMATION**

DWG. NO. SD-58719-002



誤嵌合防止キー  
MIS-ENGAGEMENT PREVENTION KEY



誤嵌合防止キー  
MIS-ENGAGEMENT PREVENTION KEY

TYPE A  
58719-0010

TYPE B  
58719-0020

部番 NO.	部品名 PART NAME	数量 QTY.	材質 MATERIAL	記事 ARTICLE
①	M2.5x6バネ座金付ねじ M2.5x6 SCREW	4	黄銅 BRASS	Niメッキ NI PLATING
②	M3x5バネ座金付ねじ M3x5 SCREW	2	鋼 STEEL	Niメッキ NI PLATING
③	ガスケット GASKET	1	ニトリルゴム NBR	—
④	ラバー RUBBER	1	ニトリルゴム NBR	—
⑤	グランドターミナル GROUND TERMINAL	2	黄銅 BRASS	Niメッキ NI PLATING
⑥	リセプタクルシエル RECEPTACLE SHELL	1	アルミニウム合金 ALUMINIUM ALLOY	—
⑦	ロックピン LOCKING PIN	2	ステンレス STAINLESS STEEL	—

注記:  
NOTES:

1. 適用ハウジングとターミナル  
APPLICATION HOUSING AND TERMINAL

	適用ハウジング APPLICATION HOUSING	ターミナル TERMINAL
ピンハウジング PIN HOUSING	51194-0800	50638-9*49 Au PLATING
		59320-9*90 Au PLATING
ソケットハウジング SOCKET HOUSING	51195-0800	50637-0*49 Au PLATING
		59319-0*90 Au PLATING
ピンハウジング PIN HOUSING	51203-1200	5558-CS** Au PLATING
ソケットハウジング SOCKET HOUSING	51204-1200	5556GS** Au PLATING

- M3ねじ推奨締め付トルク: 5~6kgf.cm  
M3 SCREW RECOMMENDATION TIGHTENING TORQUE.
- パネル切取寸法は DWG NO. SD-58723-003 による。  
THE PANEL CUTOUT SIZE IS SHOWN IN SD-58723-003.

B	58719-0020	58719-00*0
A	58719-0010	
TYPE	MATERIAL NO.	MODEL NO.

DO NOT SCALE DRAWING

EC NO.	DRWN:	CHK:	APPR:	REVISION	DATE	DESCRIPTION
				REVISED	'99/02/08	
	SD	SAKIYAMA	Y.IITO	REVISED	'98/12/23	
	SD	SAKIYAMA	Y.IITO	RELEASED	'98/09/21	

MATERIAL	FINISH	WIRE RANGE	INS. RANGE
材料	仕上げ	適用範囲線図	被覆外径

GENERAL TOLERANCES:	SCALE	DESIGN UNITS
(UNLESS SPECIFIED)	1:1	mm INCH
一般公差		
10 UNDER		
未滿		
±0.2		
10 OVER		
以上		
30 UNDER		
未滿		
±0.25		
30 OVER		
以上		
±0.3		
ANGLE		
角度		
±3°		

SCALE: 1:1 DESIGN UNITS: mm INCH

THIRD ANGLE PROJECTION

DIMENSIONS: mm INCH mm ONLY

SHT REV

REVISE ON CAD ONLY

TITLE: POWER CONN 48P RECEPTACLE SHELL ASS'Y

APPROVED BY & DATE: S. Akiyama '98/09/14

CHECKED BY & DATE: Y. Ito '98/09/21

APPROVED BY & DATE: S. Akiyama '98/09/21

CAD FILE NAME: 587191002.S01

MATERIAL NO. SEE CHART

DRAWING NO. SD-58719-002

SHEET NO. 1 OF 1

SIZE B

THIS DRAWING CONTAINS INFORMATION THAT IS PROPRIETARY TO MOLEX INCORPORATED AND SHOULD NOT BE USED WITHOUT WRITTEN PERMISSION.