

**PLEASE CHECK WWW.MOLEX.COM FOR LATEST PART INFORMATION**

**Part Number:** **0877159035**  
**Status:** **Planned for Obsolescence**  
**Description:** 1.00mm (.039") Pitch, PCI Express\* Connector, 36 Circuits, Nylon 4/6 Glass-filled, Green (348C) Housing, Phosphor Bronze, 0.38µm (15µ") Gold (Au) Plating, with Plastic Pegs, 3.00mm (.118") Solderetail, Lead Free

**Documents:**

[3D Model](#) [Product Specification PS-87715-200 \(PDF\)](#)  
[Drawing \(PDF\)](#) [RoHS Certificate of Compliance \(PDF\)](#)

**Agency Certification**

CSA LR19980  
 UL E29179

**General**

Product Family Edge Card Connectors  
 Series [87715](#)  
 Comments PCI 1 lane  
 Component Type Edgecard to PCB  
 Product Name PCI Express\*

**Physical**

Circuits (Loaded) 36  
 Circuits (maximum) 36  
 Circuits Detail All Signal  
 Durability (mating cycles max) 50  
 Entry Angle Vertical (Top Entry)  
 Flammability 94V-0  
 Keying to Mating Part Yes  
 Material - Plating Mating Gold  
 Material - Plating Termination Tin  
 PC Tail Length (in) 0.118 In  
 PC Tail Length (mm) 3.00 mm  
 PCB Locator Yes  
 PCB Retention Yes  
 PCB Thickness Recommended (in) 0.093 In  
 PCB Thickness Recommended (mm) 2.36 mm  
 Packaging Type Tray  
 Pitch - Mating Interface (in) 0.039 In  
 Pitch - Mating Interface (mm) 1.00 mm  
 Pitch - Term. Interface (in) 0.039 In  
 Pitch - Term. Interface (mm) 1.00 mm  
 Polarized to Mating Part Yes  
 Temperature Range - Operating -55°C to +85°C  
 Termination Interface: Style Through Hole

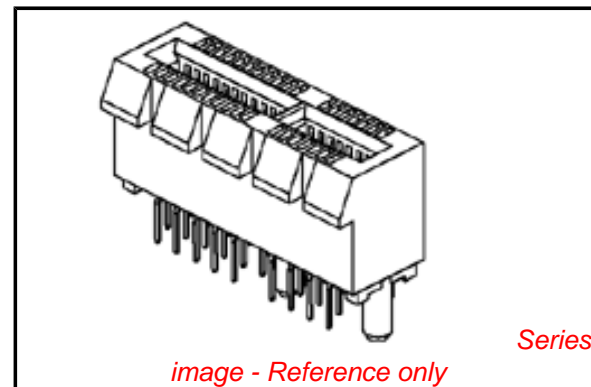
**Electrical**

Current - Maximum per Contact 1.1A  
 Voltage - Maximum 50V AC (RMS)/DC

**Material Info**

**Reference - Drawing Numbers**

Packaging Specification PK-87715-207  
 Product Specification PS-87715-200  
 Sales Drawing SD-87715-207, SD-87715-901  
 Test Summary TS-87715-207



**EU RoHS**

**ELV and RoHS Compliant**  
**REACH SVHC**  
 Not Reviewed  
**Halogen-Free Status**  
**Not Reviewed**

**China RoHS**



**Need more information on product environmental compliance?**

Email [productcompliance@molex.com](mailto:productcompliance@molex.com)  
 For a multiple part number RoHS Certificate of Compliance, [click here](#)

Please visit the [Contact Us](#) section for any non-product compliance questions.

**Search Parts in this Series**

[87715Series](#)

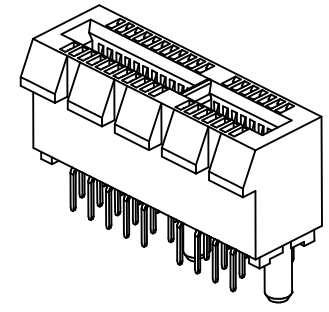
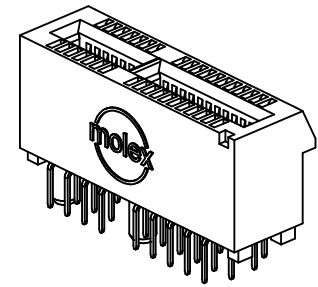
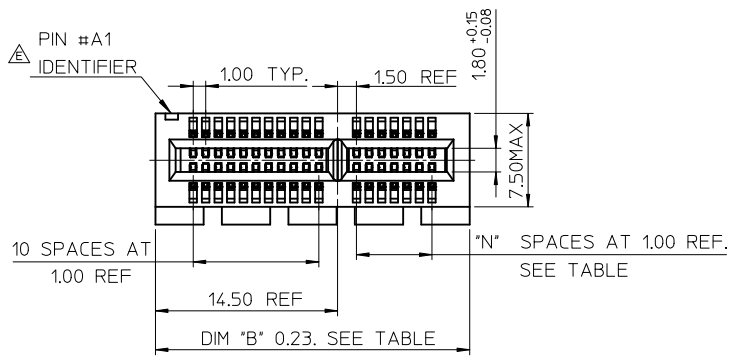
**Mates With**

PCI Express Card

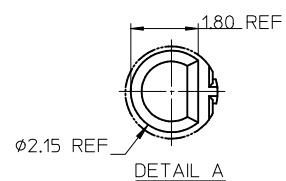
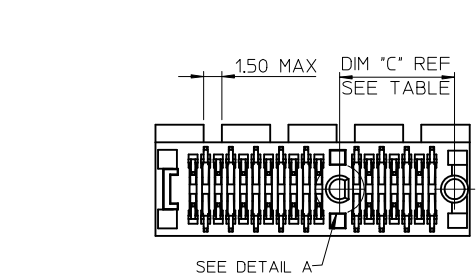
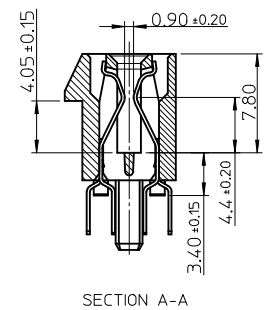
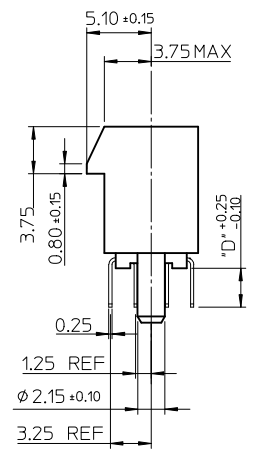
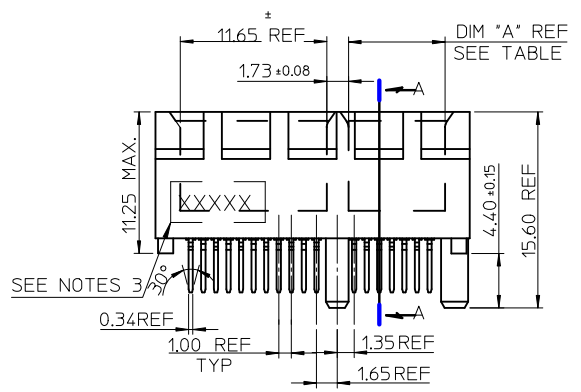
| \* PCI Express is a registered trademark of PCI-SIG®

This document was generated on 06/01/2010

**PLEASE CHECK [WWW.MOLEX.COM](http://WWW.MOLEX.COM) FOR LATEST PART INFORMATION**



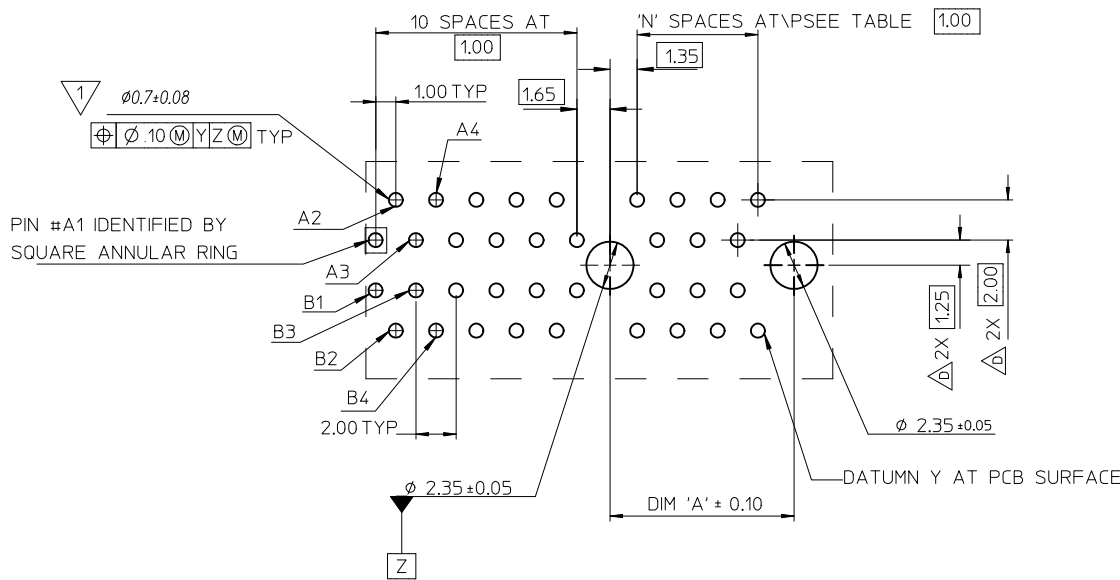
- NOTES:
- 1.MATERIALS:  
1-1.HOUSING: SEE TABLE ,GLASS FIBER FILLED UL94V-0, COLOR: SEE TABLE.  
1-2.CONTACT: SEE TABLE
  - 2.PLATING:  
2-1.CONTACT AREA: GOLD, THICKNESS : SEE TABLE .  
2-2.SOLDER TAIL: 100 MICRINCH MIN. TIN PLATING.  
2-3.UNDER PLATING: NICKEL PLATING OVERALL.
  - 3.WEEK CODE: XX(YEAR) XXI(WEEK) X(LOCATION).
  - 4.PRODUCT SPECIFICATION REFER TO PS-87715-200.
  - 5.PACKAGING SPECIFICATION REFER TO PK-87715-207.
  - 6.TEST SUMMARY:REFER TO TS-87715-207.
  - 7.LEAD FREE AND ROHS COMPLIANCE PRODUCT.



| CONNECTOR LINK WIDTH | # POS REF | N  | DIM 'A' | DIM 'B' | DIM 'C' |
|----------------------|-----------|----|---------|---------|---------|
| X4                   | 64        | 20 | 21.65   | 39.00   | 23.15   |
| X8                   | 98        | 37 | 38.65   | 56.00   | 40.15   |

| PCB THK (REF) | DIM 'D' |
|---------------|---------|
| 1.60          | 2.30    |
| 1.58          | 2.54    |
| 2.36          | 3.00    |

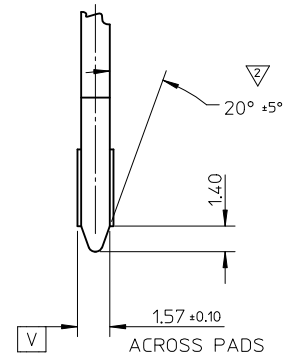
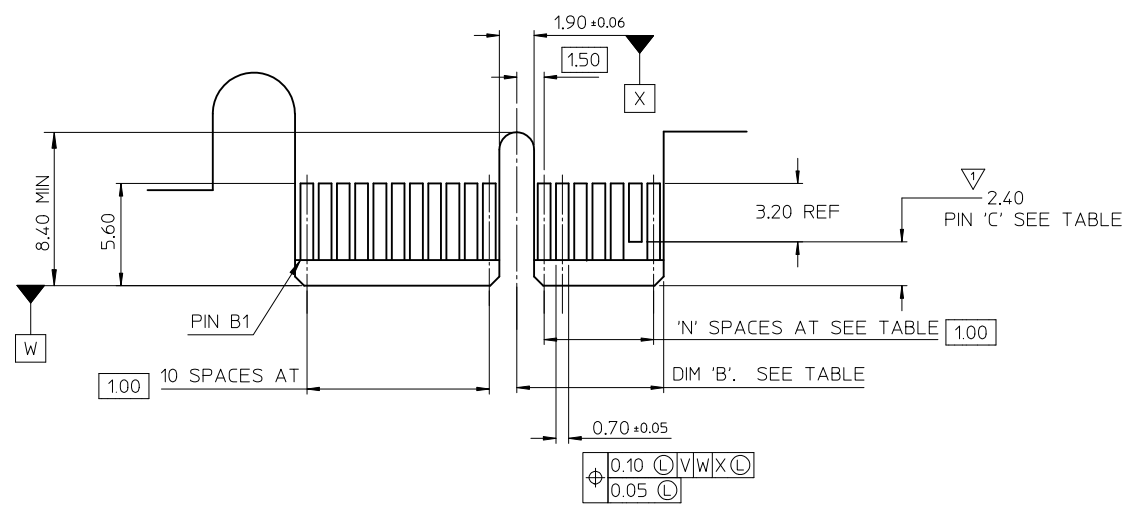
|   |   |  |                              |              |   |  |  |
|---|---|--|------------------------------|--------------|---|--|--|
| REVISED<br>IEC NO: SH2010-0425<br>DR:WNRZHHANG 2010/05/14<br>CHYKD:ALLEN L LIN 2004/07/20<br>APPR:X.J.SONG 2010/06/03 | QUALITY SYMBOLS   | GENERAL TOLERANCES (UNLESS SPECIFIED)  | DIMENSION STYLE              | SCALE        | DESIGN UNITS  | THIRD ANGLE PROJECTION   |  |
|   | $\nabla = 0$<br>$\nabla = 0$<br>$\nabla = 0$  | mm    INCH<br>4 PLACES ± --- ± ---<br>3 PLACES ± --- ± ---<br>2 PLACES ± 0.25 ± ---<br>1 PLACE ± 0.25 ± ---<br>ANGULAR ± 3 ° | MM ONLY                      | METRIC       | DRAWN BY: TOM    DATE: 2004/07/20<br>CHECKED BY: ALLEN LIN    DATE: 2004/07/20<br>APPROVED BY: WILSON    DATE: 2004/07/20 | TITLE: PCI EXPRESS EDGE CARD CONNECTOR (LEAD FREE VERSION)<br>MOLEX INCORPORATED |  |
|   | DRAFT WHERE APPLICABLE MUST REMAIN WITHIN DIMENSIONS  | SEE SHEET 4  | MATERIAL NO.<br>DOCUMENT NO. | SD-87715-207 | SHEET NO. 1 OF 4  |  |  |
|   | THIS DRAWING CONTAINS INFORMATION THAT IS PROPRIETARY TO MOLEX INCORPORATED AND SHOULD NOT BE USED WITHOUT WRITTEN PERMISSION |  |                              |              |   |  |  |



1 THE HORIZONTAL AXIS FOR THE HOLE PATTERN IS ESTABLISHED BY A LINE THROUGH THE CENTER OF THE TWO  $\phi 2.35$  HOLES. THE VERTICAL AXIS IS 90° TO THE HORIZONTAL AXIS, THROUGH THE CENTER OF DATUM Z

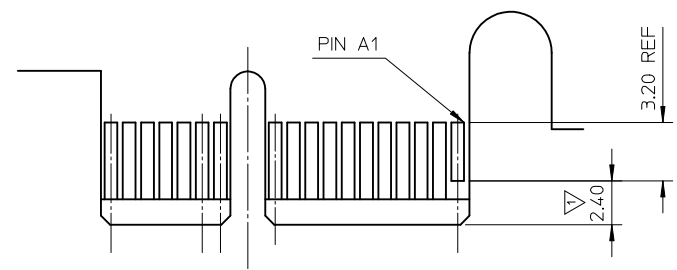
| CONNECTOR LINK WIDTH | # POS REF | N  | DIM 'A' |
|----------------------|-----------|----|---------|
| X4                   | 64        | 20 | 23.15   |
| X8                   | 98        | 37 | 40.15   |

|             |                    |               |                 |  |             |   |              |              |   |                            |
|-------------|--------------------|---------------|-----------------|--|-------------|---|--------------|--------------|---|----------------------------|
| SEE SHEET 1 | EC NO: SH2010-0425 | 2010/05/14    | QUALITY SYMBOLS | GENERAL TOLERANCES (UNLESS SPECIFIED)                |             | DIMENSION STYLE<br>MM ONLY  |              | SCALE        | DESIGN UNITS  | <br>THIRD ANGLE PROJECTION |
|             | DRWR:ZHANG         | 2010/07/20    |                 | mm   | INCH        | DRAWN BY  | DATE         | TITLE        |   |                            |
|             | CHKD:ALLEN LIN     | 2010/06/03    |                 | 4 PLACES   | ± ---       | ± ---   | TOM          | 2004/07/20   | PCI EXPRESS<br>EDGE CARD CONNECTOR<br>(LEAD FREE VERSION) |                            |
|             | APPR:XJSONG        |               |                 | 3 PLACES   | ± ---       | ± ---   | CHECKED BY   | DATE         |   |                            |
|             |                    | 2 PLACES      | ± 0.25          | ± ---  | APPROVED BY | DATE  | MATERIAL NO. | DOCUMENT NO. | SHEET NO.   |                            |
|             |                    | 1 PLACE       | ± 0.25          | ± ---  | WILSON      | 2004/07/20  | SEE SHEET 4  | SD-87715-207 | 2 OF 4  |                            |
|             |                    | ANGULAR ± 3 ° |                 | DRAFT WHERE APPLICABLE MUST REMAIN WITHIN DIMENSIONS |             | THIS DRAWING CONTAINS INFORMATION THAT IS PROPRIETARY TO MOLEX INCORPORATED AND SHOULD NOT BE USED WITHOUT WRITTEN PERMISSION |              |              |   |                            |



← I/O PANEL DIRECTION

PRIMARY (COMPONENT) SIDE



I/O PANEL DIRECTION →

SECONDARY (SOLDER) SIDE

- 1 NO TIE BAR PERMITTED FROM CARD EDGE TO LEADING EDGE OF PAD FOR PINS A1 AND "C".
- 2 CHAMFER EDGES MUST BE FREE OF CUTTING BURRS.
- 3. TOLERANCE: .XX±.13

| CONNECTOR LINK WIDTH | # POS REF | N  | DIM 'B' | 'C'             |
|----------------------|-----------|----|---------|-----------------|
| X4                   | 64        | 20 | 22.15   | B17, B31        |
| X8                   | 98        | 37 | 39.15   | B17, B31<br>B48 |

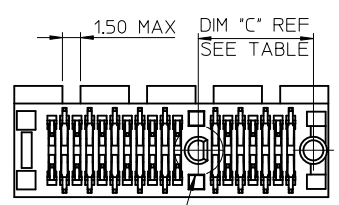
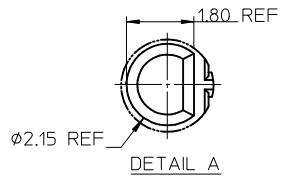
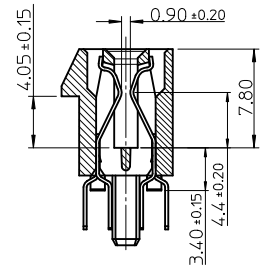
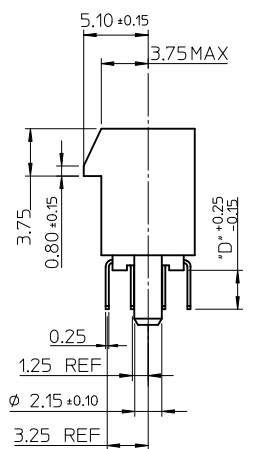
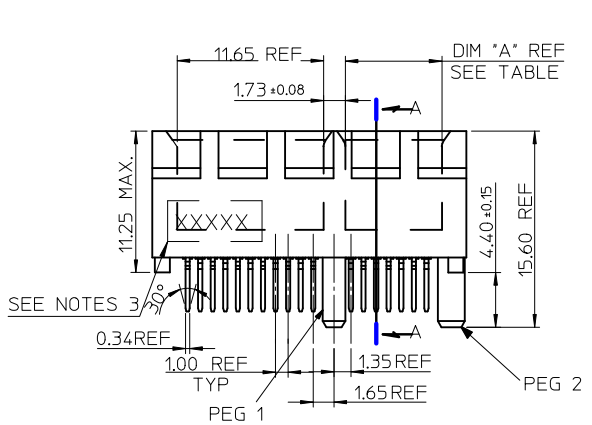
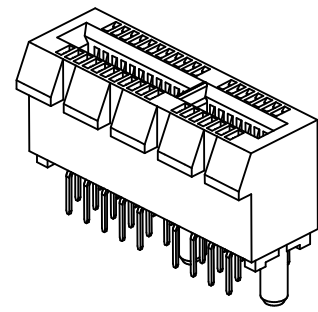
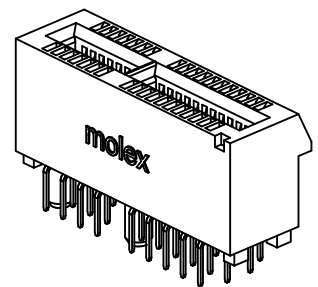
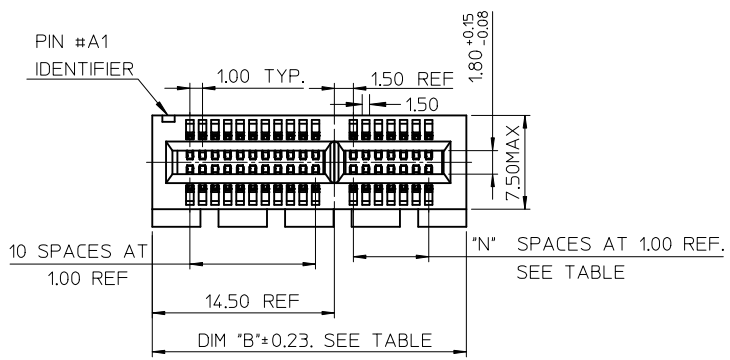
|   |                  |  |                      |                 |            |   |                        |
|---|------------------|--|----------------------|-----------------|------------|---|------------------------|
| SEE SHEET 1<br>EC NO: SH2010-0425<br>DR: WNRZhang 2010/05/14<br>CH: KD-Allen LIN 2004/07/20<br>APPR: XJ.SONG 2010/06/03 | QUALITY SYMBOLS  | GENERAL TOLERANCES (UNLESS SPECIFIED)                |                      | DIMENSION STYLE | SCALE      | DESIGN UNITS  | THIRD ANGLE PROJECTION |
|   | $F_{\text{A}}=0$ | mm   | INCH                 | MM ONLY         |            | METRIC  |                        |
|   | $F_{\text{B}}=0$ | 4 PLACES ± --- ± ---                                 | 3 PLACES ± --- ± --- | DRAWN BY        | DATE       | TITLE   |                        |
|   | $F_{\text{C}}=0$ | 2 PLACES ± 0.25 ± ---                                | 1 PLACE ± 0.25 ± --- | TOM             | 2004/07/20 | PCI EXPRESS<br>EDGE CARD CONNECTOR<br>(LEAD FREE VERSION)   |                        |
|   | ANGULAR ± 3°     | DRAFT WHERE APPLICABLE MUST REMAIN WITHIN DIMENSIONS |                      | CHECKED BY      | DATE       | MOLEX INCORPORATED  |                        |
|   |                  |  |                      | ALLEN LIN       | 2004/07/20 | MATERIAL NO. DOCUMENT NO. SHEET NO.   |                        |
|   |                  |  |                      | APPROVED BY     | DATE       | SD-87715-207 3 OF 4   |                        |
|   |                  |  |                      | WILSON          | 2004/07/20 | THIS DRAWING CONTAINS INFORMATION THAT IS PROPRIETARY TO MOLEX INCORPORATED AND SHOULD NOT BE USED WITHOUT WRITTEN PERMISSION |                        |
|   |                  |  |                      | SEE SHEET 4     |            |   |                        |

| MOLEX P/N  | CIRCUIT SIZE | HOUSING MATERIAL | HOUSING COLOR | TERMINAL MATERIAL | CONTACT PLATING | SOLDER TAIL 'D' LENGTH |
|------------|--------------|------------------|---------------|-------------------|-----------------|------------------------|
| 87715-9100 | 64           | NYLON46          | BLACK         | PHOSPHOR BRONZE   | GOLD FLASH      | 2.54                   |
| 87715-9101 |              |                  |               |                   | 10 MICROINCH    |                        |
| 87715-9102 |              |                  |               |                   | 15 MICROINCH    |                        |
| 87715-9103 |              |                  |               |                   | GOLD FLASH      | 3.00                   |
| 87715-9104 |              |                  |               |                   | 10 MICROINCH    |                        |
| 87715-9105 |              |                  |               |                   | 15 MICROINCH    |                        |
| 87715-9106 |              |                  |               |                   | 30 MICROINCH    | 2.54                   |
| 87715-9107 |              |                  |               |                   | GOLD FLASH      | 2.30                   |
| 87715-9108 |              |                  |               |                   | 15 MICROINCH    |                        |
| 87715-9109 | 30 MICROINCH |                  |               |                   |                 |                        |

| MOLEX P/N  | CIRCUIT SIZE | HOUSING MATERIAL | HOUSING COLOR | TERMINAL MATERIAL | CONTACT PLATING | SOLDER TAIL 'D' LENGTH |
|------------|--------------|------------------|---------------|-------------------|-----------------|------------------------|
| 87715-9200 | 98           | NYLON46          | BLACK         | PHOSPHOR BRONZE   | GOLD FLASH      | 2.54                   |
| 87715-9201 |              |                  |               |                   | 10 MICROINCH    |                        |
| 87715-9202 |              |                  |               |                   | 15 MICROINCH    |                        |
| 87715-9203 |              |                  |               |                   | GOLD FLASH      | 3.00                   |
| 87715-9204 |              |                  |               |                   | 10 MICROINCH    |                        |
| 87715-9205 |              |                  |               |                   | 15 MICROINCH    |                        |
| 87715-9206 |              |                  |               |                   | 30 MICROINCH    | 2.54                   |
| 87715-9207 |              |                  |               |                   | GOLD FLASH      | 2.30                   |
| 87715-9208 |              |                  |               |                   | 15 MICROINCH    |                        |
| 87715-9209 | 30 MICROINCH |                  |               |                   |                 |                        |

| MOLEX P/N  | CIRCUIT SIZE | HOUSING MATERIAL | HOUSING COLOR | TERMINAL MATERIAL | CONTACT PLATING | SOLDER TAIL 'D' LENGTH |
|------------|--------------|------------------|---------------|-------------------|-----------------|------------------------|
| 87715-9602 | 98           | NYLON46          | BLACK         | BRASS             | 15 MICROINCH    | 2.54                   |

|   |                               |   |                 |              |   |                        |
|---|-------------------------------|---|-----------------|--------------|---|------------------------|
| SEE SHEET 1<br>EC NO: SH2010-0425<br>DRW: RZHANG 2010/05/14<br>CHKD: ALLEN LIN 2004/07/20<br>APPR: XJ.SONG 2010/06/03 | QUALITY SYMBOLS               | GENERAL TOLERANCES (UNLESS SPECIFIED)   | DIMENSION STYLE | SCALE        | DESIGN UNITS  | THIRD ANGLE PROJECTION |
|   | $F_A=0$<br>$F_C=0$<br>$F_P=0$ | mm INCH<br>4 PLACES ± --- ± ---<br>3 PLACES ± --- ± ---<br>2 PLACES ± 0.25 ± ---<br>1 PLACE ± 0.25 ± ---<br>ANGULAR ± 3 ° | MM ONLY         |              | METRIC  |                        |
|   | DESCRIPTION                   | DRAFT WHERE APPLICABLE MUST REMAIN WITHIN DIMENSIONS  | DRAWN BY        | DATE         | TITLE   |                        |
|   | REV                           |   | TOM             | 2004/07/20   | PCI EXPRESS EDGE CARD CONNECTOR (LEAD FREE VERSION)   |                        |
|   |                               |   | CHECKED BY      | DATE         | MOLEX MOLEX INCORPORATED  |                        |
|   |                               |   | ALLEN LIN       | 2004/07/20   | SD-87715-207  |                        |
|   |                               |   | APPROVED BY     | DATE         | SHEET NO.   |                        |
|   |                               |   | WILSON          | 2004/07/20   | 4 OF 4  |                        |
|   |                               |   | MATERIAL NO.    | DOCUMENT NO. | THIS DRAWING CONTAINS INFORMATION THAT IS PROPRIETARY TO MOLEX INCORPORATED AND SHOULD NOT BE USED WITHOUT WRITTEN PERMISSION |                        |
|   |                               |   | SEE TABLE       |              |   |                        |

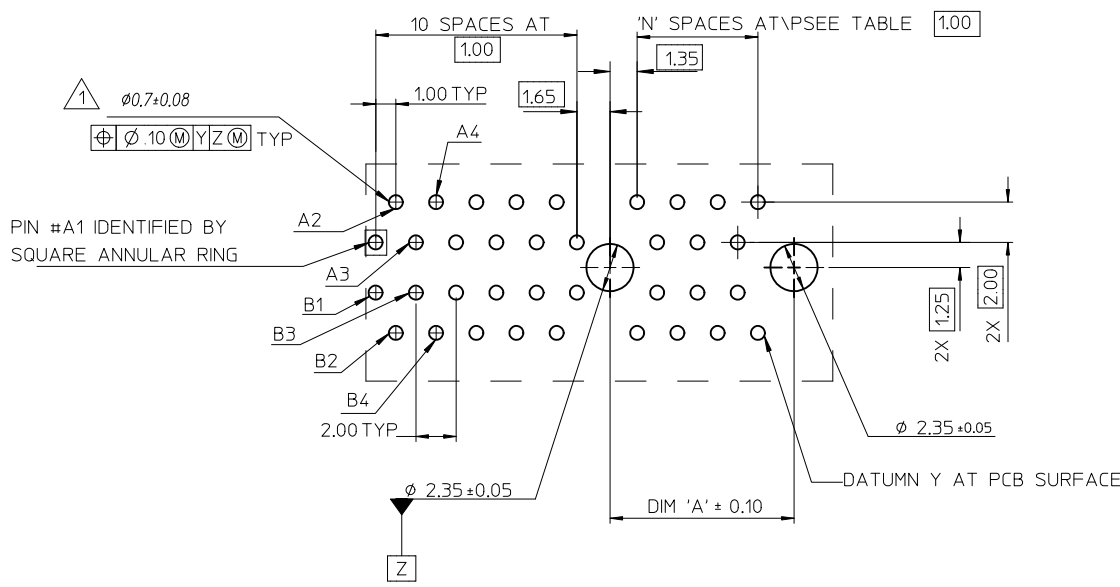


- NOTES:
- MATERIALS:
    - 1-1.HOUSING: SEE TABLE ,GLASS FIBER FILLED UL94V-0, COLOR: SEE TABLE.
    - 1-2.CONTACT: SEE TABLE
  - PLATING:
    - 2-1.CONTACT AREA: GOLD, THICKNESS : SEE TABLE .
    - 2-2.SOLDER TAIL: 100 MICRINCH MIN. TIN PLATING.
    - 2-3.UNDER PLATING: NICKEL PLATING OVERALL.
  - DATE CODE: YY MM DD.
  - PRODUCT SPECIFICATION REFER TO PS-87715-200.
  - TEST SUMMARY:REFER TO TS-87715-207.

| CONNECTOR LINK WIDTH | # POS REF | N  | DIM 'A' | DIM 'B' | DIM 'C' |
|----------------------|-----------|----|---------|---------|---------|
| X1                   | 36        | 6  | 7.65    | 25.00   | 9.15    |
| X16                  | 164       | 70 | 71.65   | 89.00   | 73.15   |

| PCB THK (REF) | DIM 'D' |
|---------------|---------|
| 1.58          | 2.54    |
| 2.36          | 3.00    |

|  |   |   |                              |   |                     |                        |  |
|--|---|---|------------------------------|---|---------------------|------------------------|--|
| REVISED<br>EC NO: SH2010-0425<br>DRWNR:ZHANG 2010/05/14<br>CHKD:HARVEY 2007/05/14<br>APPR:X.JSUNG 2010/06/03 | QUALITY SYMBOLS   | GENERAL TOLERANCES (UNLESS SPECIFIED)   | DIMENSION STYLE              | SCALE   | DESIGN UNITS        | THIRD ANGLE PROJECTION |  |
|  | $\nabla = 0$<br>$\nabla = 0$<br>$\nabla = 0$  | mm    INCH<br>4 PLACES ± --- ± ---<br>3 PLACES ± --- ± ---<br>2 PLACES ± 0.25 ± ---<br>1 PLACE ± 0.25 ± ---<br>ANGULAR ± 3° | MM ONLY                      | DRAWN BY: DAVID HU    DATE: 2007/05/14<br>CHECKED BY: HARVEY    DATE: 2007/05/14<br>APPROVED BY: JENNY CHEN    DATE: 2007/05/14 | METRIC              | METRIC                 | TITLE: PCI EXPRESS<br>EDGE CARD CONNECTOR<br>(LEAD FREE VERSION) |
|  | DRAFT WHERE APPLICABLE<br>MUST REMAIN<br>WITHIN DIMENSIONS  | SEE SHEET 4   | MATERIAL NO.<br>DOCUMENT NO. | MOLEX INCORPORATED<br>SD-87715-901  | SHEET NO.<br>1 OF 4 |                        |  |
|  | SIZE: A3<br>THIS DRAWING CONTAINS INFORMATION THAT IS PROPRIETARY TO MOLEX INCORPORATED AND SHOULD NOT BE USED WITHOUT WRITTEN PERMISSION |   |                              |   |                     |                        |  |



1 THE HORIZONTAL AXIS FOR THE HOLE PATTERN IS ESTABLISHED BY A LINE THROUGH THE CENTER OF THE TWO  $\phi 2.35$  HOLES. THE VERTICAL AXIS IS 90° TO THE HORIZONTAL AXIS, THROUGH THE CENTER OF DATUM Z

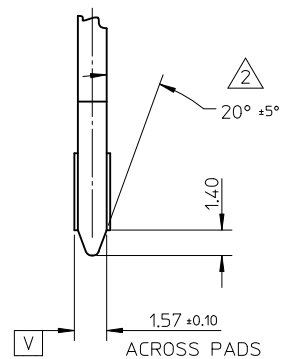
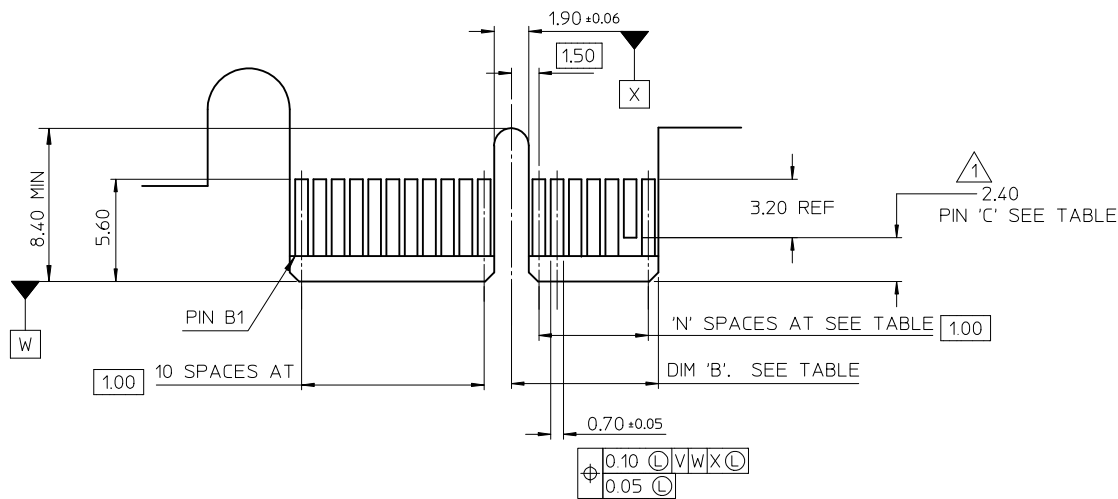
PIN #A1 IDENTIFIED BY SQUARE ANNULAR RING

| CONNECTOR LINK WIDTH | # POS REF | N  | DIM 'A' |
|----------------------|-----------|----|---------|
| X1                   | 36        | 6  | 9.15    |
| X16                  | 164       | 70 | 73.15   |

|  |  |                                       |        |   |             |                           |   |                        |       |
|--|--|---------------------------------------|--------|---|-------------|---------------------------|---|------------------------|-------|
| SEE SHEET 1<br>EC NO: SH2010-0425<br>DRW:RZHANG 2010/05/14<br>CH:KD:HARVEY 2007/05/14<br>APPR:XJ:SONG 2010/06/03 | QUALITY SYMBOLS<br>$F_A=0$<br>$F_C=0$<br>$F_P=0$ | GENERAL TOLERANCES (UNLESS SPECIFIED) |        | DIMENSION STYLE<br><b>MM ONLY</b>   |             | SCALE                     | DESIGN UNITS  | THIRD ANGLE PROJECTION |       |
|  |  |                                       |        | mm  | INCH        | DRAWN BY                  | DATE  |                        | TITLE |
|  |  | 4 PLACES                              | ± ---  | ± ---   | DAVID HU    | 2007/05/14                | PCI EXPRESS<br>EDGE CARD CONNECTOR<br>(LEAD FREE VERSION) |                        |       |
|  |  | 3 PLACES                              | ± ---  | ± ---   | CHECKED BY  | DATE                      |   |                        |       |
|  |  | 2 PLACES                              | ± 0.25 | ± ---   | HARVEY      | 2007/05/14                | MOLEX INCORPORATED  |                        |       |
|  |  | 1 PLACE                               | ± 0.25 | ± ---   | APPROVED BY | DATE                      |   |                        |       |
|  |  | ANGULAR ± 3°                          |        | JENNY CHEN 2007/05/14   |             | MATERIAL NO. DOCUMENT NO. |   |                        |       |
| DRAFT WHERE APPLICABLE MUST REMAIN WITHIN DIMENSIONS   |  | SEE SHEET 1                           |        | SD-87715-901  |             | SHEET NO. 2 OF 4          |   |                        |       |
|  |  | SIZE A3                               |        | THIS DRAWING CONTAINS INFORMATION THAT IS PROPRIETARY TO MOLEX INCORPORATED AND SHOULD NOT BE USED WITHOUT WRITTEN PERMISSION |             |                           |   |                        |       |

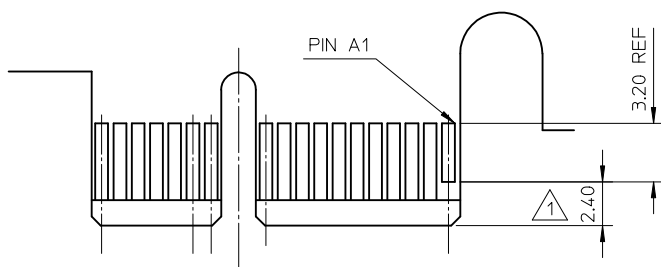


10 9 8 7 6 5 4 3 2 1



← I/O PANEL DIRECTION

PRIMARY (COMPONENT) SIDE



I/O PANEL DIRECTION →

SECONDARY (SOLDER) SIDE

- 1 NO TIE BAR PERMITTED FROM CARD EDGE TO LEADING EDGE OF PAD FOR PINS A1 AND "C".
- 2 CHAMFER EDGES MUST BE FREE OF CUTTING BURRS.
- 3 TOLERANCE: .XX±.13

| CONNECTOR LINK WIDTH | # POS REF | N  | DIM 'B' | 'C' 1               |
|----------------------|-----------|----|---------|---------------------|
| X1                   | 36        | 6  | 8.15    | B17                 |
| X16                  | 164       | 70 | 72.15   | B17, B31<br>B48,B81 |

|   |                       |                   |  |            |                    |            |   |              |   |  |
|---|-----------------------|-------------------|--|------------|--------------------|------------|---|--------------|---|--|
| SEE SHEET 1<br>EC NO: SH2010-0425<br>DR: WNRZHANG 2010/05/14<br>CHKD: HARVEY 2007/05/14<br>APPR: XJ.SONG 2010/06/03 | DESCRIPTION           | QUALITY SYMBOLS   | GENERAL TOLERANCES (UNLESS SPECIFIED)                |            | DIMENSION STYLE    |            | SCALE   | DESIGN UNITS | THIRD ANGLE PROJECTION  |  |
|   |                       | ▽ <sub>A</sub> =0 | mm   | INCH       | MM ONLY            |            |   |              |   |  |
|   |                       | ▽ <sub>C</sub> =0 | 4 PLACES ± --- ± ---                                 |            | DRAWN BY           | DATE       | TITLE   |              |   |  |
|   |                       | ▽ <sub>B</sub> =0 | 3 PLACES ± --- ± ---                                 |            | DAVID HU           | 2007/05/14 | PCI EXPRESS<br>EDGE CARD CONNECTOR<br>(LEAD FREE VERSION) |              |   |  |
|   | 2 PLACES ± 0.25 ± --- |                   | CHECKED BY   | DATE       | MOLEX INCORPORATED |            |   |              |   |  |
|   | 1 PLACE ± 0.25 ± ---  |                   | HARVEY   | 2007/05/14 |                    |            |   |              | SD-87715-901  |  |
|   | ANGULAR ± 3 °         |                   | APPROVED BY  | DATE       | DOCUMENT NO.       |            |   |              |   |  |
|   |                       |                   | JENNY CHEN   | 2007/05/14 |                    |            |   |              | SHEET NO.   |  |
|   |                       |                   | MATERIAL NO.   |            | 3 OF 4             |            |   |              |   |  |
|   |                       |                   | SEE SHEET 1  |            |                    |            |   |              | THIS DRAWING CONTAINS INFORMATION THAT IS PROPRIETARY TO MOLEX INCORPORATED AND SHOULD NOT BE USED WITHOUT WRITTEN PERMISSION |  |
|   |                       |                   | DRAFT WHERE APPLICABLE MUST REMAIN WITHIN DIMENSIONS |            | SIZE               |            |   |              |   |  |
|   |                       |                   | A3   |            |                    |            |   |              |   |  |

9 8 7 6 5 4 3 2 1

| MOLEX P/N  | CIRCUIT SIZE | HOUSING MATERIAL | HOUSING COLOR | TERMINAL MATERIAL | CONTACT PLATING | SOLDER TAIL 'D' LENGTH | PEG 1   | PEG 2 | DESCRIPTION |
|------------|--------------|------------------|---------------|-------------------|-----------------|------------------------|---------|-------|-------------|
| 87715-9000 | 36           | NYLON46          | BLACK         | PHOSPHOR BRONZE   | GOLD FLASH      | 2.54                   | WITH    | WITH  | TOOLED      |
| 87715-9001 |              |                  |               |                   | 10 MICROINCH    |                        |         |       |             |
| 87715-9002 |              |                  |               |                   | 15 MICROINCH    |                        |         |       |             |
| 87715-9003 |              |                  |               |                   | GOLD FLASH      | 3.00                   |         |       |             |
| 87715-9004 |              |                  |               |                   | 10 MICROINCH    |                        |         |       |             |
| 87715-9005 |              |                  |               |                   | 15 MICROINCH    |                        |         |       |             |
| 87715-9006 |              |                  |               |                   | 30 MICROINCH    | 2.54                   |         |       |             |
| 87715-9009 |              |                  |               |                   | 30 MICROINCH    | 3.00                   |         |       |             |
| 87715-0001 |              |                  |               |                   | 15 MICROINCH    | 2.54                   | WITHOUT |       |             |



| MOLEX P/N  | CIRCUIT SIZE | HOUSING MATERIAL | HOUSING COLOR | TERMINAL MATERIAL | CONTACT PLATING | SOLDER TAIL 'D' LENGTH | PEG 1 | PEG 2 | DESCRIPTION |
|------------|--------------|------------------|---------------|-------------------|-----------------|------------------------|-------|-------|-------------|
| 87715-9300 | 164          | NYLON46          | BLACK         | PHOSPHOR BRONZE   | GOLD FLASH      | 2.54                   | WITH  | WITH  | TOOLED      |
| 87715-9301 |              |                  |               |                   | 10 MICROINCH    |                        |       |       |             |
| 87715-9302 |              |                  |               |                   | 15 MICROINCH    |                        |       |       |             |
| 87715-9303 |              |                  |               |                   | GOLD FLASH      | 3.00                   |       |       |             |
| 87715-9304 |              |                  |               |                   | 10 MICROINCH    |                        |       |       |             |
| 87715-9305 |              |                  |               |                   | 15 MICROINCH    |                        |       |       |             |
| 87715-9306 |              |                  |               |                   | 30 MICROINCH    | 2.54                   |       |       |             |
| 87715-9309 |              |                  |               |                   | 30 MICROINCH    | 3.00                   |       |       |             |



|  |          |                    |  |  |                 |             |   |   |                                    |   |                     |
|--|----------|--------------------|--|--|-----------------|-------------|---|---|------------------------------------|---|---------------------|
| SEE SHEET 1<br>EC NO: SH2010-0425<br>DR: WZRZHANG 2010/05/14<br>CH: KDHARVEY 2007/05/14<br>APPR: XJSONG 2010/06/03 | REV<br>B | DESCRIPTION<br>REV | QUALITY SYMBOLS                                      | GENERAL TOLERANCES (UNLESS SPECIFIED)  | DIMENSION STYLE | SCALE       | DESIGN UNITS  | THIRD ANGLE PROJECTION  |                                    |   |                     |
|  |          |                    | $F_A=0$<br>$F_C=0$<br>$F_P=0$                        | mm      INCH<br>4 PLACES ± --- ± ---<br>3 PLACES ± --- ± ---<br>2 PLACES ± 0.25 ± ---<br>1 PLACE ± 0.25 ± ---<br>ANGULAR ± 3 ° | MM ONLY         |             | METRIC  | DRAWN BY: DAVID HU      DATE: 2007/05/14<br>CHECKED BY: HARVEY      DATE: 2007/05/14<br>APPROVED BY: JENNY CHEN      DATE: 2007/05/14 | TITLE                              | PCI EXPRESS<br>EDGE CARD CONNECTOR<br>(LEAD FREE VERSION) |                     |
|  |          |                    | DRAFT WHERE APPLICABLE MUST REMAIN WITHIN DIMENSIONS |  |                 | SEE SHEET 1 | MATERIAL NO.  | DOCUMENT NO.  | MOLEX INCORPORATED<br>SD-87715-901 |   | SHEET NO.<br>4 OF 4 |
|  |          |                    |  |  |                 | SIZE A3     | THIS DRAWING CONTAINS INFORMATION THAT IS PROPRIETARY TO MOLEX INCORPORATED AND SHOULD NOT BE USED WITHOUT WRITTEN PERMISSION |   |                                    |   |                     |