

**PLEASE CHECK WWW.MOLEX.COM FOR LATEST PART INFORMATION**

**Part Number:** [0470191802](#)  
**Status:** **Active**  
**Overview:** sim smart card  
**Description:** 2.54mm (.100") Pitch SIM Card Connector, Phosphor Bronze (CuSn), 6 Circuits, Housing Height 1.80mm (.071"), Lead Free

**Documents:**

[3D Model](#) [RoHS Certificate of Compliance \(PDF\)](#)  
[Drawing \(PDF\)](#)

**General**

Product Family	Memory Card Sockets
Series	<a href="#">47019</a>
Button Type	N/A
Comments	Housing Height: 1.80mm (.071")
Component Type	Header/Socket (Host)
Overview	<a href="#">sim smart card</a>
Product Name	SIM
Type	N/A

**Physical**

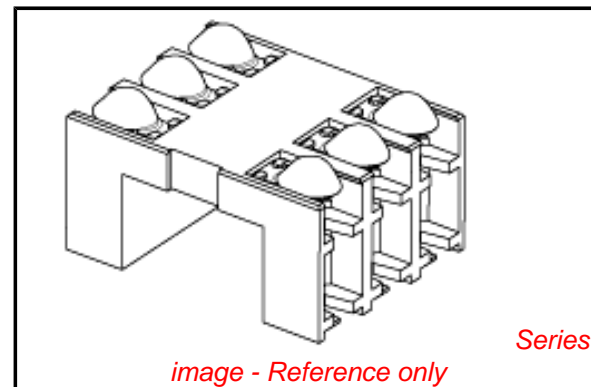
Card Detection Switch	No
Circuits (Loaded)	6
Circuits (maximum)	6
Color - Resin	Black
Durability (mating cycles max)	3,000
Ejector Button Side	No Ejector Button Present
Entry Angle	90° Angle (Side Entry), Vertical (Top Entry)
Keying to Mating Part	None
Material - Metal	Phosphor Bronze
Material - Plating Mating	Gold
Material - Plating Termination	Gold
Material - Resin	High Temperature Thermoplastic
PCB Locator	No
PCB Mounting Side	Reverse
PCB Retention	None
Packaging Type	Embossed Tape on Reel
Pitch - Mating Interface (in)	0.100 In
Pitch - Mating Interface (mm)	2.54 mm
Pitch - Term. Interface (in)	0.100 In
Pitch - Term. Interface (mm)	2.54 mm
Plating min: Mating (µin)	15
Plating min: Mating (µm)	0.38
Plating min: Termination (µin)	2
Plating min: Termination (µm)	0.05
Ports	1
Temperature Range - Operating	-30°C to +85°C
Termination Interface: Style	Surface Mount

**Electrical**

Current - Maximum per Contact	0.5A
Shielded	No
Voltage - Maximum	15V DC

**Solder Process Data**

Duration at Max. Process Temperature (seconds)	10
--	----



**EU RoHS**

**ELV and RoHS  
Compliant**  
**REACH SVHC  
Contains SVHC: No**  
**Halogen-Free  
Status**

**China RoHS**



**Need more information on product  
environmental compliance?**

Email [productcompliance@molex.com](mailto:productcompliance@molex.com)  
 For a multiple part number RoHS Certificate of Compliance, [click here](#)

Please visit the [Contact Us](#) section for any non-product compliance questions.

**Search Parts in this Series**

[47019Series](#)

**Mates With**

Standard SIM Card

Lead-free Process Capability  
Max. Cycles at Max. Process Temperature  
Process Temperature max. C

Reflow Capable (SMT only)  
10  
250

**Material Info**

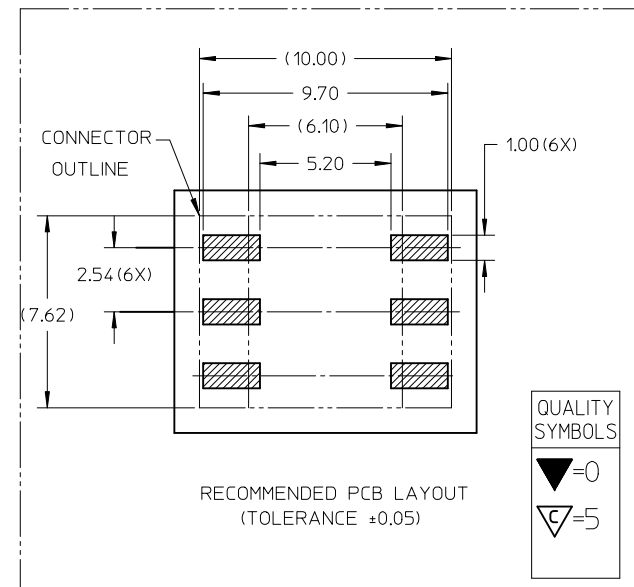
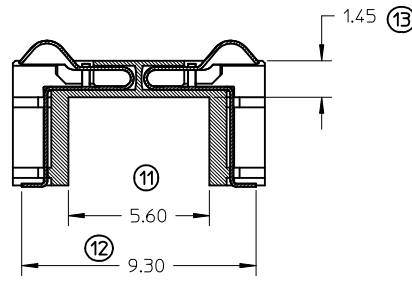
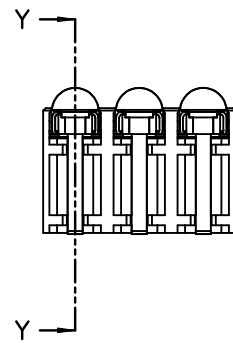
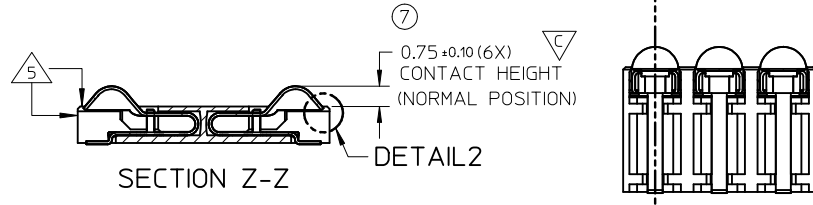
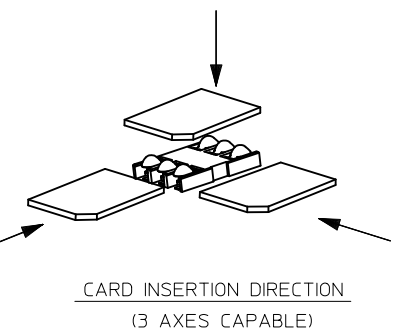
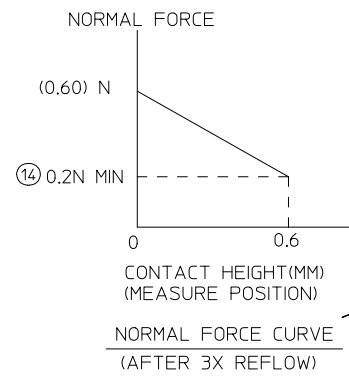
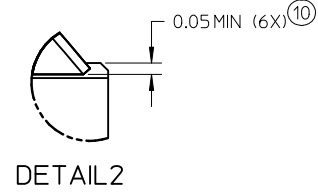
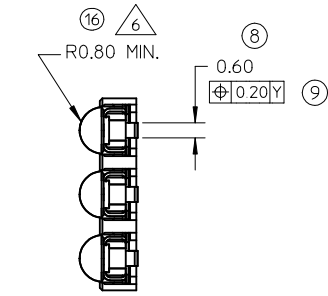
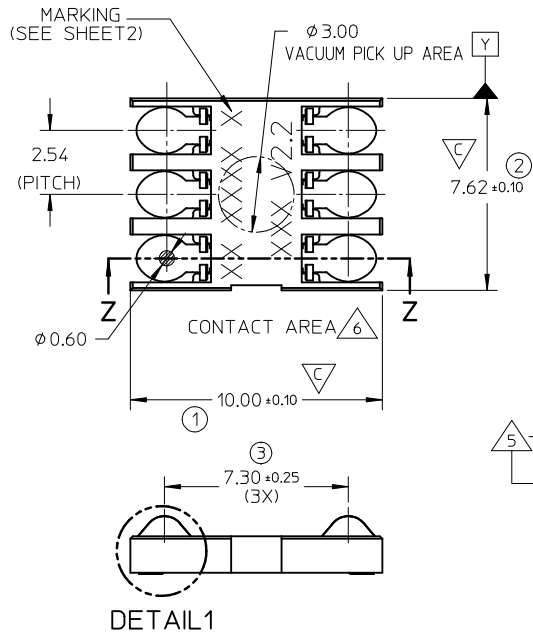
**Reference - Drawing Numbers**

Sales Drawing

SD-47019-002

This document was generated on 05/27/2010

**PLEASE CHECK [WWW.MOLEX.COM](http://WWW.MOLEX.COM) FOR LATEST PART INFORMATION**



QUALITY SYMBOLS	
$\nabla=0$	$\nabla=5$

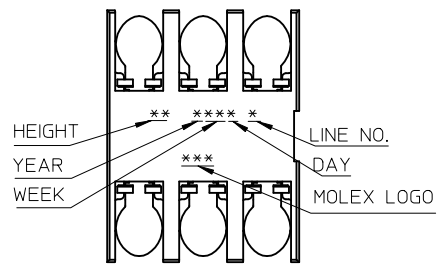
- NOTES:
- 1 MATERIAL:
    - 1-1 HOUSING : LCP 30% GLASS FILL, UL94 V-0,COLOR BLACK
    - 1-2 TEMINAL : PHOSPHOR BRONZE 0.12MM REF THICKNESS
  - 2 PLATING:TERMINAL:
    - 2-1 SIM SIDE (CONTACT AREA): 0.38 MICROMETER MIN GOLD
    - 2-1 SOLDER TAIL : GOLD FLASH 0.05 MICROMETER MIN
    - 2-3 UNDERPLATING : 2 MICROMETER NICKEL OVERALL
  - 3 H DIMENSION MINIMUM=1.50,MAXIMUM=5.00(SEE CHART ON SHEET2)
  - 4 NO SHARP EDGES INTERFACING WITH THE PCB OR SIM CARD
  - 5 CONTACT MUST NOT EXTENDED BEYOND HOUSING EDGE DURING DEFLECTION AND MUST LOWER THAN HOUSING LEVEL AFTER 3 TIMES REFLOW
  - 6 MAINTAIN IN CONTACT AREA

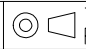

RELEASED EC NO:58122000-003555 DRWN:JL1U39 CHKD:LANDY APPR:WFDENG 2010/03/10 2010/03/10 2010/04/02	QUALITY SYMBOLS	GENERAL TOLERANCES (UNLESS SPECIFIED)	DIMENSION STYLE	SCALE	DESIGN UNITS	THIRD ANGLE PROJECTION
	$\nabla=0$	mm INCH	MM ONLY	NTS	METRIC	
	$\nabla=0$	4 PLACES ± --- ± ---	DRAWN BY DATE			TITLE
	$\nabla=0$	3 PLACES ± --- ± ---	CHECKED BY DATE			6 CKT SCALABLE SIM CONNECTOR
	2 PLACES ± 0.10 ± ---	APPROVED BY DATE				
	1 PLACE ± 0.2 ± ---	MATERIAL NO. DOCUMENT NO.				
	ANGULAR ± 2 °					
	DRAFT WHERE APPLICABLE MUST REMAIN WITHIN DIMENSIONS					
		SIZE				
		A3	THIS DRAWING CONTAINS INFORMATION THAT IS PROPRIETARY TO MOLEX INCORPORATED AND SHOULD NOT BE USED WITHOUT WRITTEN PERMISSION			

10	9	8	7	6	5	4	3	2	1
PART NUMBER	DIM H								
470191502	1.5								
470191602	1.6								
470191702	1.7								
470191802	1.8								

HEIGHT	YEAR	WEEK	DAY	LINE NO.	MOLEX LOGO		
15--50	0--9	01--52	1--7	1--	MSH	MCH	MCD
Example 20	Example 0-2010	Example 13	Example 1	Example 2	PRODUCE IN SHANGHAI	PRODUCE IN DONG GUAN	PRODUCE IN CHENG DU

 PRODUCTION TOOL PART PRINTED DATE CODE



<b>RELEASED</b> EC NO: 58122000-00355 DRWN: JLU39 2010/03/10 CHKD: LANDY 2010/03/10 APPR: WFDENG 2010/04/02	DESCRIPTION REV	QUALITY SYMBOLS	GENERAL TOLERANCES (UNLESS SPECIFIED)	DIMENSION STYLE	SCALE	DESIGN UNITS	THIRD ANGLE PROJECTION															
		$F_A=0$ $F_C=0$ $F_P=0$	<table border="1"> <tr> <th></th> <th>mm</th> <th>INCH</th> </tr> <tr> <td>4 PLACES</td> <td>± ---</td> <td>± ---</td> </tr> <tr> <td>3 PLACES</td> <td>± ---</td> <td>± ---</td> </tr> <tr> <td>2 PLACES</td> <td>± 0.10</td> <td>± ---</td> </tr> <tr> <td>1 PLACE</td> <td>± 0.2</td> <td>± ---</td> </tr> </table>		mm	INCH	4 PLACES	± ---	± ---	3 PLACES	± ---	± ---	2 PLACES	± 0.10	± ---	1 PLACE	± 0.2	± ---	MM ONLY	NTS	METRIC	
			mm	INCH																		
		4 PLACES	± ---	± ---																		
3 PLACES	± ---	± ---																				
2 PLACES	± 0.10	± ---																				
1 PLACE	± 0.2	± ---																				
	<table border="1"> <tr> <th>DRAWN BY</th> <th>DATE</th> <th>TITLE</th> </tr> <tr> <td>KHLIM</td> <td>2009/12/18</td> <td rowspan="3">6 CKT SCALABLE SIM CONNECTOR</td> </tr> <tr> <th>CHECKED BY</th> <th>DATE</th> </tr> <tr> <td>JXYONG</td> <td>2010/01/07</td> </tr> </table>	DRAWN BY	DATE	TITLE	KHLIM	2009/12/18	6 CKT SCALABLE SIM CONNECTOR	CHECKED BY	DATE	JXYONG	2010/01/07											
DRAWN BY	DATE	TITLE																				
KHLIM	2009/12/18	6 CKT SCALABLE SIM CONNECTOR																				
CHECKED BY	DATE																					
JXYONG	2010/01/07																					
		<table border="1"> <tr> <th>APPROVED BY</th> <th>DATE</th> </tr> <tr> <td>WFDENG</td> <td>2010/03/29</td> </tr> </table>	APPROVED BY	DATE	WFDENG	2010/03/29	<table border="1"> <tr> <th>MATERIAL NO.</th> <th>DOCUMENT NO.</th> <th>SHEET NO.</th> </tr> <tr> <td>SEE TABLE</td> <td>SD-47019-002</td> <td>2 OF 2</td> </tr> </table>	MATERIAL NO.	DOCUMENT NO.	SHEET NO.	SEE TABLE	SD-47019-002	2 OF 2	 MOLEX INCORPORATED								
APPROVED BY	DATE																					
WFDENG	2010/03/29																					
MATERIAL NO.	DOCUMENT NO.	SHEET NO.																				
SEE TABLE	SD-47019-002	2 OF 2																				

9	8	7	6	5	4	3	2	1
---	---	---	---	---	---	---	---	---