

PLEASE CHECK WWW.MOLEX.COM FOR LATEST PART INFORMATION

Part Number: [0879437001](#)
Status: **Active**
Description: 2.50mm (.098") / 3.50mm (.138") Pitch Wire-to-Board Receptacle Housing with Fuse, 22 Circuits

Documents:

[Drawing \(PDF\)](#) [RoHS Certificate of Compliance \(PDF\)](#)
[Product Specification PS-87942-006 \(PDF\)](#)

General

| | |
|----------------|-----------------------|
| Product Family | Crimp Housings |
| Series | 87943 |
| Product Name | N/A |

Physical

| | |
|-------------------------------|--------------------|
| Circuits (maximum) | 22 |
| Color - Resin | Black |
| Gender | Female |
| Glow-Wire Compliant | No |
| Lock to Mating Part | Yes |
| Material - Resin | Nylon |
| Number of Rows | 2 |
| Packaging Type | Bag |
| Panel Mount | No |
| Pitch - Mating Interface (in) | 0.098 In, 0.138 In |
| Pitch - Mating Interface (mm) | 2.50 mm, 3.50 mm |
| Polarized to Mating Part | Yes |
| Stackable | No |
| Temperature Range - Operating | -40°C to +105°C |

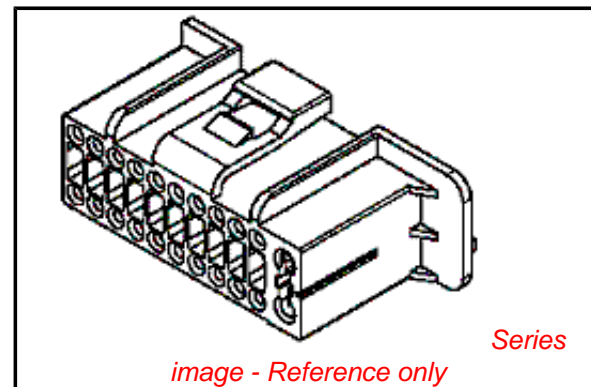
Electrical

| | |
|-------------------------------|---------|
| Current - Maximum per Contact | 20A, 4A |
|-------------------------------|---------|

Material Info

Reference - Drawing Numbers

| | |
|-----------------------|--------------|
| Product Specification | PS-87942-006 |
| Sales Drawing | SD-87943-001 |



EU RoHS

ELV and RoHS Compliant
REACH SVHC
 Not Reviewed
Halogen-Free Status
 Not Reviewed

China RoHS



Need more information on product environmental compliance?

Email productcompliance@molex.com
 For a multiple part number RoHS Certificate of Compliance, [click here](#)

Please visit the [Contact Us](#) section for any non-product compliance questions.

Search Parts in this Series

[87943Series](#)

Mates With

[87942-7001](#) Wire-to-Board PCB Header

Use With

[87943-1101](#) Crimp Terminal, [87943-2101](#) Crimp Terminal

10

9

8

7

6

5

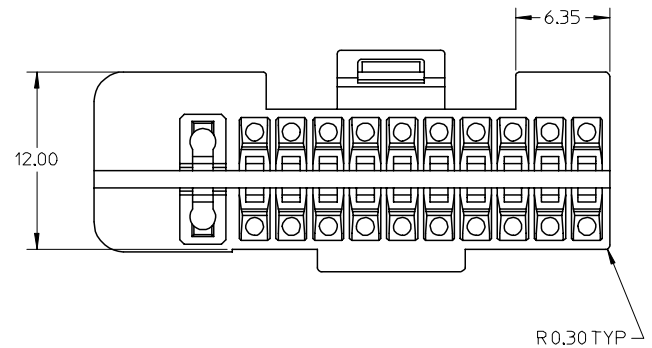
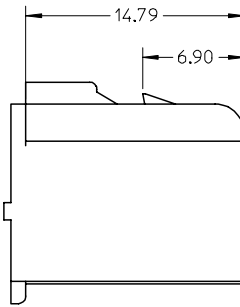
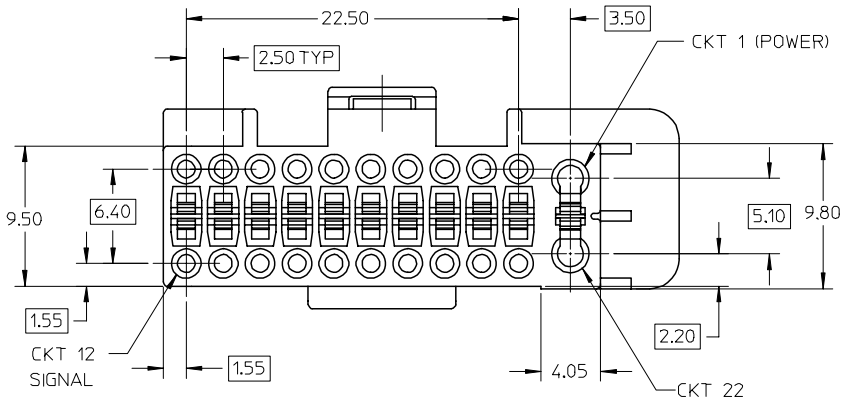
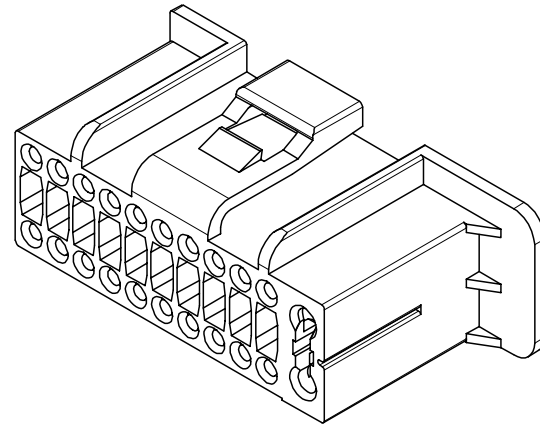
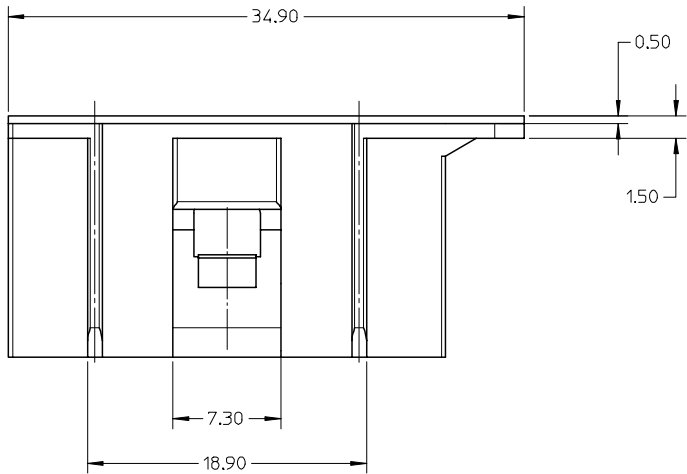
4

3

2

1

| | | |
|------------------------|----------|--------|
| HOUSING PART NUMBER | CKT SIZE | |
| | POWER | SIGNAL |
| 87943-7001 | 2 | 20 |



NOTES:

- 1.MATERIAL : NYLON(PA66) ZYTEL UL94 HB.
- 2.ACCEPTABLE TERMINAL :
POWER - 87943-1*01
SIGNAL - 87943-2*01
- 3.MATES WITH 87942.

| | | | |
|-------------------|-----------------------------|----------------------|-----------------------|
| EC NO: S2006-0579 | DRWN:NRVITTPALLI 2006/02/15 | CHKD:RHLW 2006/02/15 | APPR:PTLIM 2006/02/16 |
| A2 | REV | DESCRIPTION | QUALITY SYMBOLS |

| |
|-----|
| ▽=0 |
| △=0 |

| | |
|--|---------|
| GENERAL TOLERANCES (UNLESS SPECIFIED) | |
| | MM ONLY |
| 4 PLACES | ± --- |
| 3 PLACES | ± --- |
| 2 PLACES | ± 0.25 |
| 1 PLACE | ± --- |
| ANGULAR ± 3 ° | |
| DRAFT WHERE APPLICABLE MUST REMAIN WITHIN DIMENSIONS | |

| | |
|-----------------|------------|
| DIMENSION STYLE | |
| MM ONLY | |
| DRAWN BY | DATE |
| NRVITTPALLI | 2005/01/05 |
| CHECKED BY | DATE |
| PTLIM | 2005/05/13 |
| APPROVED BY | DATE |
| SCLOW | 2005/05/13 |
| MATERIAL NO. | |
| SEE TABLE | |

| | | |
|---|--------------|------------------------|
| SCALE | DESIGN UNITS | THIRD ANGLE PROJECTION |
| NTS | METRIC | |
| TITLE | | |
| 2.5/3.5 W-T-B CONNECTOR RECEPTACLE, WITH FUSE | | |
| MOLEX MOLEX INCORPORATED | | |
| DOCUMENT NO. | | SHEET NO. |
| SD-87943-001 | | 1 OF 1 |
| THIS DRAWING CONTAINS INFORMATION THAT IS PROPRIETARY TO MOLEX INCORPORATED AND SHOULD NOT BE USED WITHOUT WRITTEN PERMISSION | | |

9

8

7

6

5

4

3

2

1