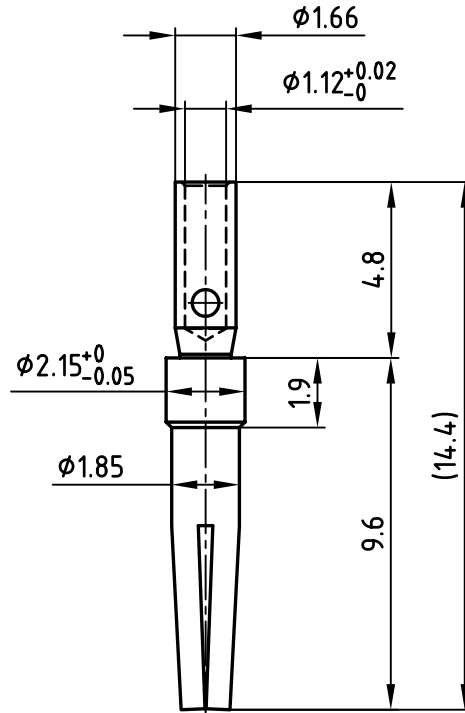


used for: D-SUB



APPROVAL # FREIGABE # DEBLOCAGE # AUTORIZACION # APPROVAL	
CUSTOMER APPROVAL DATE:	
NAME:	TITLE:
COMPANY NAME:	
APPROVAL # FREIGABE # DEBLOCAGE # AUTORIZACION # APPROVAL	



Notes:

- Material: brass
- Finish: hard-gold-plated in the contact area
- Temperature range: -55°C to +125°C
- Rated current: 7.5A
- Contact resistance: <= 10mOhm

THIS DRAWING MAY NOT BE COPIED OR REPRODUCED IN ANY WAY, AND MAY NOT BE PASSED ON TO A THIRD PARTY WITHOUT WRITTEN PERMISSION.
 OWNERSHIP AND COPYRIGHT OF CONEC GmbH
 DO NOT ALTER CAD DRAWING BY HAND

			tolerance		dim. in mm
			2003	date	name
			drawn	25.03.	Parei
			appd.	25.03.	Kühle
			norm		
			d-old		
rev.	description	date			

scale:	5:1	
material:	SEE NOTES	
title:	CRIMP SOCKET CONTACT screw machined version accepts cable AWG 24-20	
dwg no:	AutoCAD 2000	DIN-A
	16K1A929	4
		sh: 1/1
part no:	162C18709X	

4

3

2

1