

PLEASE CHECK WWW.MOLEX.COM FOR LATEST PART INFORMATION

Part Number: [0015453564](#)
Status: **Active**
Overview: [cgrid_sl_products](#)
Description: 2.54mm (.100") Pitch C-Grid® PCB Connector, Surface Mount, High Profile, Dual Row, Vertical, 64 Circuits

Documents:

[3D Model](#) [Product Specification PS-71395 \(PDF\)](#)
[Drawing \(PDF\)](#) [RoHS Certificate of Compliance \(PDF\)](#)

Agency Certification

CSA LR19980
 UL E29179

General

Product Family PCB Receptacles
 Series [71395](#)
 Application Board-to-Board
 Overview [cgrid_sl_products](#)
 Product Name C-Grid®

Physical

Circuits (Loaded) 64
 Color - Resin Black
 Durability (mating cycles max) 50
 Flammability 94V-0
 Glow-Wire Compliant No
 Guide to Mating Part No
 Keying to Mating Part None
 Lock to Mating Part No
 Material - Metal Phosphor Bronze
 Material - Plating Mating Gold
 Material - Plating Termination Tin
 Material - Resin High Temperature Thermoplastic
 Number of Rows 2
 Orientation Vertical
 PC Tail Length (in) 0.058 In
 PC Tail Length (mm) 1.47 mm
 PCB Locator Yes
 PCB Retention Yes
 Packaging Type Tray
 Pitch - Mating Interface (in) 0.100 In
 Pitch - Mating Interface (mm) 2.54 mm
 Plating min: Mating (µin) 15
 Plating min: Mating (µm) 0.375
 Plating min: Termination (µin) 75
 Plating min: Termination (µm) 1.875
 Polarized to PCB No
 Surface Mount Compatible (SMC) N/A
 Temperature Range - Operating -40°C to +105°C
 Termination Interface: Style Surface Mount

Electrical

Current - Maximum per Contact 2.5A
 Grounding to PCB No
 Voltage - Maximum 250V



EU RoHS

ELV and RoHS Compliant
REACH SVHC
 Not Reviewed
Halogen-Free Status
Not Reviewed

China RoHS



Need more information on product environmental compliance?

Email productcompliance@molex.com
 For a multiple part number RoHS Certificate of Compliance, [click here](#)

Please visit the [Contact Us](#) section for any non-product compliance questions.

Search Parts in this Series

[71395Series](#)

Mates With

[8624](#) C-Grid® Breakaway Header, [70246](#) Straight Header, [70247](#) Right Angle Header, [70287](#) C-Grid® Header, [70227](#) Dual Row C-Grid® Header, [70567](#) C-Grid® Header, [70280](#) C-Grid® Breakaway Header, [70524](#) C-Grid® Breakaway Header, [Z](#)

Solder Process Data

Lead-free Process Capability
Process Temperature max. C

Reflow Capable (SMT only)
260

Material Info

Old Part Number

A713950164

Reference - Drawing Numbers

Application Specification

AS-71395-001

Packaging Specification

PK-70873-0662

Product Specification

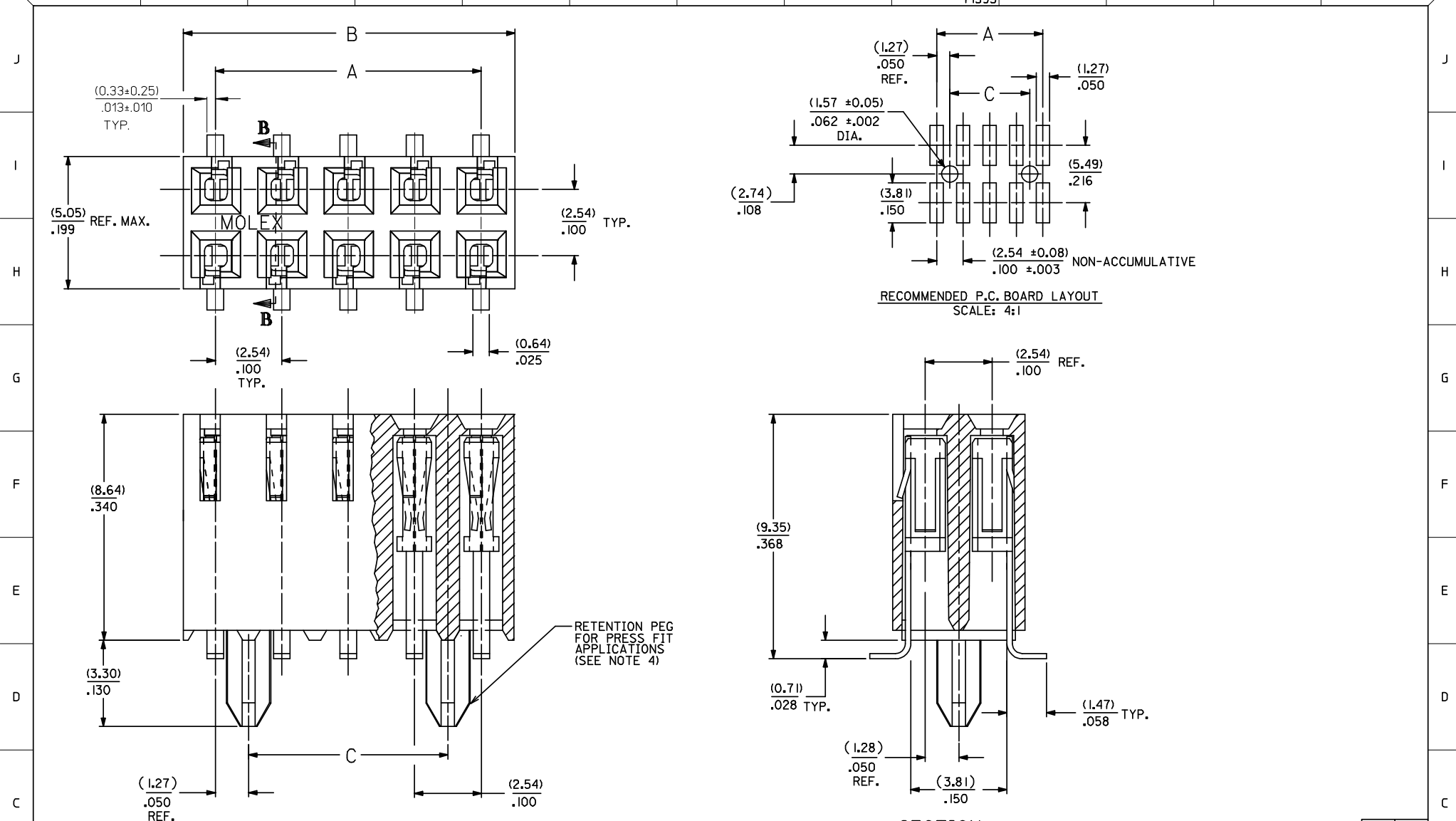
PS-71395

Sales Drawing

SDA-71395-0***

This document was generated on 05/31/2010

PLEASE CHECK WWW.MOLEX.COM FOR LATEST PART INFORMATION



- NOTES:**
- 1 - HOUSING MATERIAL: GLASS FILLED LIQUID CRYSTAL POLYMER; UL 94V-0. COLOR: BLACK
 - 2 - TERMINAL MATERIAL: PHOSPHOR BRONZE
 - 3 - SEE SHEET 2 FOR CIRCUIT SIZES AND OVER-ALL DIMENSIONS.
 - 4 -SEE PRODUCT SPEC. PS-71395 FOR PERFORMANCE CRITERIA.
 - 5 - STANDARD PACKAGING PER PK-70873-0662 (TRAY PACK)

SECTION B-B
- VERSION WITH PCB RETENTION PEGS -

2	J
1	K
SHT	REV

ADD SMT DIM & TOL EC NO: UCP2008-1594 DRAWN:DMORGAN 2008/04/04 CHKD:HS IBARRA 2008/04/22 APPR:SMILLER 2008/04/22	QUALITY SYMBOLS ▽=0 ▽=0	GENERAL TOLERANCES (UNLESS SPECIFIED) 4 PLACES ± --- ± --- 3 PLACES ± --- ± .010 2 PLACES ± 0.25 ± .014 1 PLACE ± 0.35 ± --- ANGULAR ±1/2°	DIMENSION STYLE MM/IN DRAWN BY DATE CHECKED BY DATE RB 12/03/1985 APPROVED BY DATE	SCALE 10:1 DESIGN UNITS INCH THIRD ANGLE PROJECTION	TITLE CONNECTOR DUAL ROW VERTICAL SURFACE MOUNT TOP ENTRY ON .100 GRID
	MATERIAL NO. SEE CHART	MOLEX INCORPORATED	DOCUMENT NO. SDA-71395-0***	SHEET NO. 1 OF 2	
	DRAFT WHERE APPLICABLE MUST REMAIN WITHIN DIMENSIONS				
	THIS DRAWING CONTAINS INFORMATION THAT IS PROPRIETARY TO MOLEX INCORPORATED AND SHOULD NOT BE USED WITHOUT WRITTEN PERMISSION				

NO. OF CKTS.	TIN PLATING			15 GOLD PLATING			30 GOLD PLATING			DIM. "A"			DIM. "B"		DIM. "C"	
	PER ROW	TOTAL	E.D.P. NO.	ENG. NO.	STANDARD PACKAGING	E.D.P. NO.	ENG. NO.	STANDARD PACKAGING	E.D.P. NO.	ENG. NO.	STANDARD PACKAGING	DIM. INCH	"A" MM	DIM. INCH	"B" MM	DIM. INCH
4	8	15-45-3408	A-71395-0008	PK-70873-0662	15-45-3508	A-71395-0108	PK-70873-0662	15-45-3608	A-71395-0208	PK-70873-0662	.300	7,62	.399	10,13	.200	5,08
5	10	15-45-3410	A-71395-0010	PK-70873-0662	15-45-3510	A-71395-0110	PK-70873-0662	15-45-3610	A-71395-0210	PK-70873-0662	.400	10,16	.499	12,67	.300	7,62
6	12	15-45-3412	A-71395-0012	PK-70873-0662	15-45-3512	A-71395-0112	PK-70873-0662	15-45-3612	A-71395-0212	PK-70873-0662	.500	12,70	.599	15,21	.400	10,16
7	14	15-45-3414	A-71395-0014	PK-70873-0662	15-45-3514	A-71395-0114	PK-70873-0662	15-45-3614	A-71395-0214	PK-70873-0662	.600	15,24	.699	17,75	.500	12,70
8	16	15-45-3416	A-71395-0016	PK-70873-0662	15-45-3516	A-71395-0116	PK-70873-0662	15-45-3616	A-71395-0216	PK-70873-0662	.700	17,78	.799	20,29	.600	15,24
9	18	15-45-3418	A-71395-0018	PK-70873-0662	15-45-3518	A-71395-0118	PK-70873-0662	15-45-3618	A-71395-0218	PK-70873-0662	.800	20,32	.899	22,83	.700	17,78
10	20	15-45-3420	A-71395-0020	PK-70873-0662	15-45-3520	A-71395-0120	PK-70873-0662	15-45-3620	A-71395-0220	PK-70873-0662	.900	22,86	.999	25,37	.800	20,32
11	22	15-45-3422	A-71395-0022	PK-70873-0662	15-45-3522	A-71395-0122	PK-70873-0662	15-45-3622	A-71395-0222	PK-70873-0662	1.000	25,40	1.099	27,91	.900	22,86
12	24	15-45-3424	A-71395-0024	PK-70873-0662	15-45-3524	A-71395-0124	PK-70873-0662	15-45-3624	A-71395-0224	PK-70873-0662	1.100	27,94	1.199	30,45	1.000	25,40
13	26	15-45-3426	A-71395-0026	PK-70873-0662	15-45-3526	A-71395-0126	PK-70873-0662	15-45-3626	A-71395-0226	PK-70873-0662	1.200	30,48	1.299	32,99	1.100	27,94
14	28	15-45-3428	A-71395-0028	PK-70873-0662	15-45-3528	A-71395-0128	PK-70873-0662	15-45-3628	A-71395-0228	PK-70873-0662	1.300	33,02	1.399	35,53	1.200	30,48
15	30	15-45-3430	A-71395-0030	PK-70873-0662	15-45-3530	A-71395-0130	PK-70873-0662	15-45-3630	A-71395-0230	PK-70873-0662	1.400	35,56	1.499	38,07	1.300	33,02
16	32	15-45-3432	A-71395-0032	PK-70873-0662	15-45-3532	A-71395-0132	PK-70873-0662	15-45-3632	A-71395-0232	PK-70873-0662	1.500	38,10	1.599	40,61	1.400	35,56
17	34	15-45-3434	A-71395-0034	PK-70873-0662	15-45-3534	A-71395-0134	PK-70873-0662	15-45-3634	A-71395-0234	PK-70873-0662	1.600	40,64	1.699	43,15	1.500	38,10
18	36	15-45-3436	A-71395-0036	PK-70873-0662	15-45-3536	A-71395-0136	PK-70873-0662	15-45-3636	A-71395-0236	PK-70873-0662	1.700	43,18	1.799	45,69	1.600	40,64
19	38	15-45-3438	A-71395-0038	PK-70873-0662	15-45-3538	A-71395-0138	PK-70873-0662	15-45-3638	A-71395-0238	PK-70873-0662	1.800	45,72	1.899	48,23	1.700	43,18
20	40	15-45-3440	A-71395-0040	PK-70873-0662	15-45-3540	A-71395-0140	PK-70873-0662	15-45-3640	A-71395-0240	PK-70873-0662	1.900	48,26	1.999	50,77	1.800	45,72
21	42	15-45-3442	A-71395-0042	PK-70873-0662	15-45-3542	A-71395-0142	PK-70873-0662	15-45-3642	A-71395-0242	PK-70873-0662	2.000	50,80	2.099	53,31	1.900	48,26
22	44	15-45-3444	A-71395-0044	PK-70873-0662	15-45-3544	A-71395-0144	PK-70873-0662	15-45-3644	A-71395-0244	PK-70873-0662	2.100	53,34	2.199	55,85	2.000	50,80
23	46	15-45-3446	A-71395-0046	PK-70873-0662	15-45-3546	A-71395-0146	PK-70873-0662	15-45-3646	A-71395-0246	PK-70873-0662	2.200	55,88	2.299	58,39	2.100	53,34
24	48	15-45-3448	A-71395-0048	PK-70873-0662	15-45-3548	A-71395-0148	PK-70873-0662	15-45-3648	A-71395-0248	PK-70873-0662	2.300	58,42	2.399	60,93	2.200	55,88
25	50	15-45-3450	A-71395-0050	PK-70873-0662	15-45-3550	A-71395-0150	PK-70873-0662	15-45-3650	A-71395-0250	PK-70873-0662	2.400	60,96	2.499	63,47	2.300	58,42
26	52	15-45-3452	A-71395-0052	PK-70873-0662	15-45-3552	A-71395-0152	PK-70873-0662	15-45-3652	A-71395-0252	PK-70873-0662	2.500	63,50	2.599	66,01	2.400	60,96
27	54	15-45-3454	A-71395-0054	PK-70873-0662	15-45-3554	A-71395-0154	PK-70873-0662	15-45-3654	A-71395-0254	PK-70873-0662	2.600	66,04	2.699	68,55	2.500	63,50
28	56	15-45-3456	A-71395-0056	PK-70873-0662	15-45-3556	A-71395-0156	PK-70873-0662	15-45-3656	A-71395-0256	PK-70873-0662	2.700	68,58	2.799	71,09	2.600	66,04
29	58	15-45-3458	A-71395-0058	PK-70873-0662	15-45-3558	A-71395-0158	PK-70873-0662	15-45-3658	A-71395-0258	PK-70873-0662	2.800	71,12	2.899	73,63	2.700	68,58
30	60	15-45-3460	A-71395-0060	PK-70873-0662	15-45-3560	A-71395-0160	PK-70873-0662	15-45-3660	A-71395-0260	PK-70873-0662	2.900	73,66	2.999	76,17	2.800	71,12
31	62	15-45-3462	A-71395-0062	PK-70873-0662	15-45-3562	A-71395-0162	PK-70873-0662	15-45-3662	A-71395-0262	PK-70873-0662	3.000	76,20	3.099	78,71	2.900	73,66
32	64	15-45-3464	A-71395-0064	PK-70873-0662	15-45-3564	A-71395-0164	PK-70873-0662	15-45-3664	A-71395-0264	PK-70873-0662	3.100	78,74	3.199	81,25	3.000	76,20
33	66	15-45-3466	A-71395-0066	PK-70873-0662	15-45-3566	A-71395-0166	PK-70873-0662	15-45-3666	A-71395-0266	PK-70873-0662	3.200	81,28	3.299	83,79	3.100	78,74
34	68	15-45-3468	A-71395-0068	PK-70873-0662	15-45-3568	A-71395-0168	PK-70873-0662	15-45-3668	A-71395-0268	PK-70873-0662	3.300	83,82	3.399	86,33	3.200	81,28
35	70	15-45-3470	A-71395-0070	PK-70873-0662	15-45-3570	A-71395-0170	PK-70873-0662	15-45-3670	A-71395-0270	PK-70873-0662	3.400	86,36	3.499	88,87	3.300	83,82
36	72	15-45-3472	A-71395-0072	PK-70873-0662	15-45-3572	A-71395-0172	PK-70873-0662	15-45-3672	A-71395-0272	PK-70873-0662	3.500	88,90	3.599	91,41	3.400	86,36
37	74	15-45-3474	A-71395-0074	PK-70873-0662	15-45-3574	A-71395-0174	PK-70873-0662	15-45-3674	A-71395-0274	PK-70873-0662	3.600	91,44	3.699	93,95	3.500	88,90
38	76	15-45-3476	A-71395-0076	PK-70873-0662	15-45-3576	A-71395-0176	PK-70873-0662	15-45-3676	A-71395-0276	PK-70873-0662	3.700	93,98	3.799	96,49	3.600	91,44
39	78	15-45-3478	A-71395-0078	PK-70873-0662	15-45-3578	A-71395-0178	PK-70873-0662	15-45-3678	A-71395-0278	PK-70873-0662	3.800	96,52	3.899	99,03	3.700	93,98
40	80	15-45-3480	A-71395-0080	PK-70873-0662	15-45-3580	A-71395-0180	PK-70873-0662	15-45-3680	A-71395-0280	PK-70873-0662	3.900	99,06	3.999	101,57	3.800	96,52

PLATING:

TIN (3.75 MICROMETER)/150 MICROINCH MINIMUM TIN OVER
(1.25 MICROMETER)/50 MICROINCH MINIMUM NICKEL OVERALL.

15 GOLD (0.37 MICROMETER)/15 MICROINCH MINIMUM SELECTIVE GOLD IN THE CONTACT AREA;
(1.88 MICROMETER)/75 MICROINCH MINIMUM SELECTIVE TIN IN THE PC TAIL AREA OVER
(1.25 MICROMETER)/50 MICROINCH MINIMUM NICKEL OVERALL.

30 GOLD (0.75 MICROMETER)/30 MICROINCH MINIMUM SELECTIVE GOLD IN THE CONTACT AREA;
(1.88 MICROMETER)/75 MICROINCH MINIMUM SELECTIVE TIN IN THE PC TAIL AREA OVER
(1.25 MICROMETER)/50 MICROINCH MINIMUM NICKEL OVERALL.

*THE PRIMARY SHIPPING CARTON WILL BE LABELED *COMPLIANT TO
RoHS DIRECTIVE 2002/95/EC AND ELV ANNEX II OF DIRECTIVE 2000/53/EC.
CARTONS WITHOUT THIS LABEL MAY CONTAIN PRODUCT WITH LEAD.

- VERSION WITH PCB RETENTION PEGS -

J		SEE SHEET I		DIMENSIONS SHOWN (METRIC) INCH		▽ = 0 ▼ = 0 REVISE ONLY ON CAD SYSTEM	
I		SEE SHEET I		UNLESS OTHERWISE SPECIFIED TOLERANCES ANGULAR ± 1/2°		TITLE	
H		SEE SHEET I		3 PLACE ± INCH METRIC		CONNECTOR	
C		SEE SHEET I		2 PLACE ± --- ± ---		DUAL ROW VERTICAL SURFACE MOUNT	
E		SEE SHEET I		1 PLACE --- ± ---		TOP ENTRY ON .100 GRID	
B		SEE SHEET I		DRAFT WHERE APPLICABLE MUST REMAIN WITHIN DIMENSIONS		MOLEX INCORPORATED SHEET NO. DATE	
A		SEE SHEET I		DRWG. BY J L CHK'D. BY R B		2 12 / 18 / 85	
L.T.R.		REVISIONS		L.T.R.		REVISIONS	
13		12		11		10	
9		8		7		6	
5		4		3		2	
1							