

PLEASE CHECK WWW.MOLEX.COM FOR LATEST PART INFORMATION

Part Number: [0358432205](#)
Status: **Active**
Description: PT Bulb Socket, Sealed, Single Housing Assembly, Type A

Documents:

[3D Model](#) [Product Specification PS-35842-001 \(PDF\)](#)
[Drawing \(PDF\)](#) [RoHS Certificate of Compliance \(PDF\)](#)

General

Product Family	Other Sockets
Series	35843
Comments	A-Type
Component Type	Socket
Product Name	Bulb Socket

Physical

Circuits (Loaded)	2
Color - Resin	Gray
Durability (mating cycles max)	50
Entry Angle	Vertical
Keying to Mating Part	None
Material - Resin	Nylon
PCB Locator	No
PCB Retention	N/A
Packaging Type	Bag
Pitch - Mating Interface (in)	0.000 In
Pitch - Mating Interface (mm)	0.00 mm
Temperature Range - Operating	-40°C to +105°C
Termination Interface: Style	Through Hole

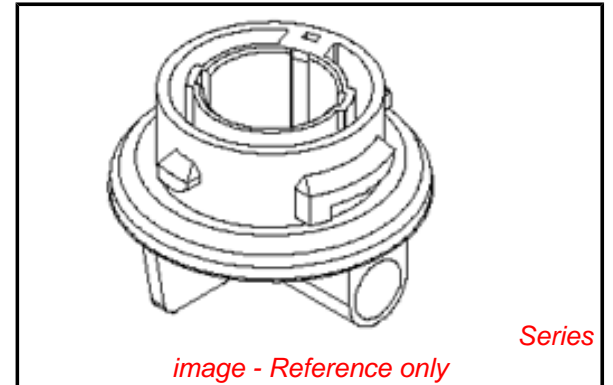
Electrical

Current - Maximum per Contact	5A, 7A
Voltage - Maximum	12V

Material Info

Reference - Drawing Numbers

Product Specification	PS-35842-001
Sales Drawing	SD-35843-220



EU RoHS

**ELV and RoHS
Compliant**
REACH SVHC
 Not Reviewed
**Halogen-Free
Status**

China RoHS



**Need more information on product
environmental compliance?**

Email productcompliance@molex.com
 For a multiple part number RoHS Certificate of
 Compliance, [click here](#)

Please visit the [Contact Us](#) section for any
 non-product compliance questions.

Search Parts in this Series

[35843Series](#)

Mates With

Lamp

Use With

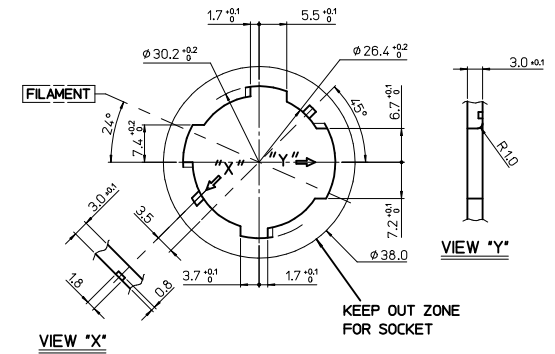
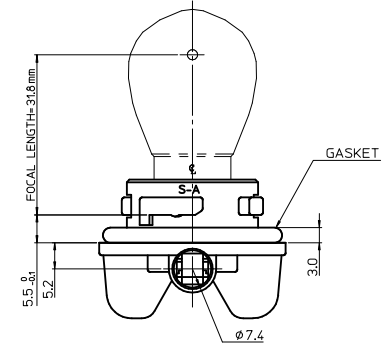
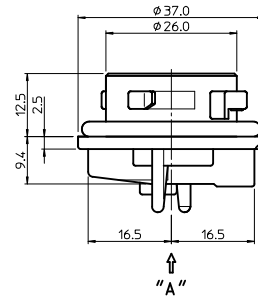
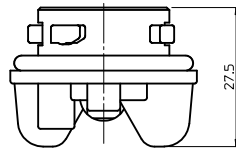
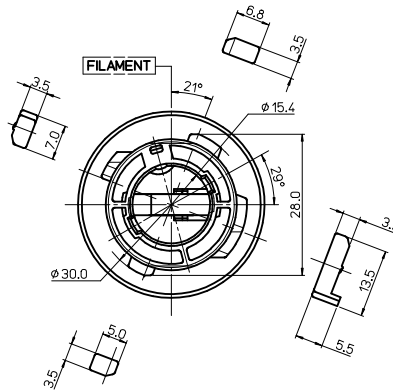
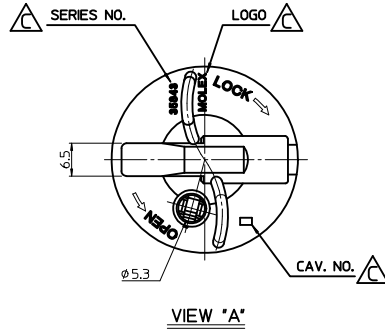
[35464](#) Positive Terminal for PT Bulb Socket,
[35465](#) Earth Terminal for PT Bulb Socket

- NOTES
 1. FOCAL LENGTH = 31.8mm
 2. PRODUCT SPECIFICATION: PS-35842-001
 3. APPLICABLE BULB CAP: P21W(BA15s)
 4. MATES WITH

<PART LIST>

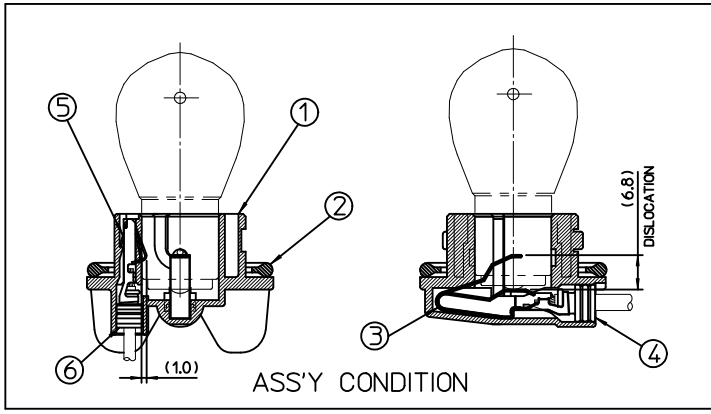
NO.	DESCRIPTION	MATERIAL	USAGE	REMARK
①	SINGLE SOCKET	PA66 M/F	1	A TYPE
②	SEAL GASKET	SILICONE	1	BLUE

NO.	DESCRIPTION	MATERIAL	ORDER NO.	REMARK
③	POSITIVE TERMINAL	PHOSPHOR BRONZE	35464-8000	UNPLATED
④	POSITIVER WIRE SEAL	SILICONE	35903-0096	BROWN
⑤	EARTH TERMINAL	PHOSPHOR BRONZE	35465-8000	UNPLATED
⑥	EARTH WIRE SEAL	SILICONE	35903-0106	BLUE



VIEW 'Y'

MOUNTING INTERFACE (MI-1)



<TABLE 1>

MATERIAL NO.	ORDER NO.	COLOR
358432205	35843-2205	GRAY

QUALITY SYMBOLS	GENERAL TOLERANCES (UNLESS SPECIFIED)	
	mm	INCH
▽=0	4 PLACES ± ---	± ---
▽=0	3 PLACES ± ---	± ---
	2 PLACES ± 0.15	± ---
	1 PLACE ± 0.25	± ---
	ANGULAR ± 2 °	

DIMENSION STYLE		SCALE	DESIGN UNITS	THIRD ANGLE PROJECTION
MM ONLY		1:1	METRIC	THIRD ANGLE PROJECTION
DRAWN BY	DATE	TITLE		
EOKIM	2007/10/08	SEALED BULB SOCKET SINGLE ASS'Y-A TYPE (SEAL GASKET-SILICONE)		
CHECKED BY	DATE	MOLEX INCORPORATED		
BCYOON	2007/10/08	MATERIAL NO. SD-35843-220		
APPROVED BY	DATE	SHEET NO. 1 OF 1		
EHJUNG	2007/10/08	DRAWING NO. SEE TABLE 1		
DRAFT WHERE APPLICABLE MUST REMAIN WITHIN DIMENSIONS				
THIS DRAWING CONTAINS INFORMATION THAT IS PROPRIETARY TO MOLEX INCORPORATED AND SHOULD NOT BE USED WITHOUT WRITTEN PERMISSION				