

**PLEASE CHECK WWW.MOLEX.COM FOR LATEST PART INFORMATION**

**Part Number:** [1301750003](#)  
**Status:** **Active**  
**Description:** Aero-Motive® Heavy Duty Retractors, Weight Range 4-10 lbs with Ratchet Lock

**Documents:**

[Drawing \(PDF\)](#) [RoHS Certificate of Compliance \(PDF\)](#)

**General**

Product Family	Tool Supports
Series	<a href="#">130175</a>
Duty	Heavy
Insulated	No
Product Name	Aero-Motive®
Type	Retractors
Woodhead	Yes

**Physical**

Cable Diameter	2.38mm (.094")
Cable Length	2.40m (7.87' )
Cable Movement	Constant Ratchet On/Off
Drum Lock	None
Material - Housing	Steel
Material - Wheel	Steel
Mounting Style	Hanging
Packaging Type	Individual Carton
Travel Distance	2.40m (8.0' )
Weight Range	1.8-4.5kg (4.0-10.0 lb)
Wire/Cable Type	Stranded Steel Aircraft Cable

**Material Info**

Old Part Number 10FLR

**Reference - Drawing Numbers**

Sales Drawing SD-130175-004



*image - Reference only*

**EU RoHS**

**China RoHS**

**RoHS Compliance**

**Not Required**

**REACH SVHC**

**Not Reviewed**

**Halogen-Free**

**Status**

**Not Reviewed**

**Need more information on product environmental compliance?**

Email [productcompliance@molex.com](mailto:productcompliance@molex.com)  
 For a multiple part number RoHS Certificate of Compliance, [click here](#)

Please visit the [Contact Us](#) section for any non-product compliance questions.

**Search Parts in this Series**

[130175Series](#)

10

9

8

7

6

5

4

3

2

1

F

E

D

C

B

A

F

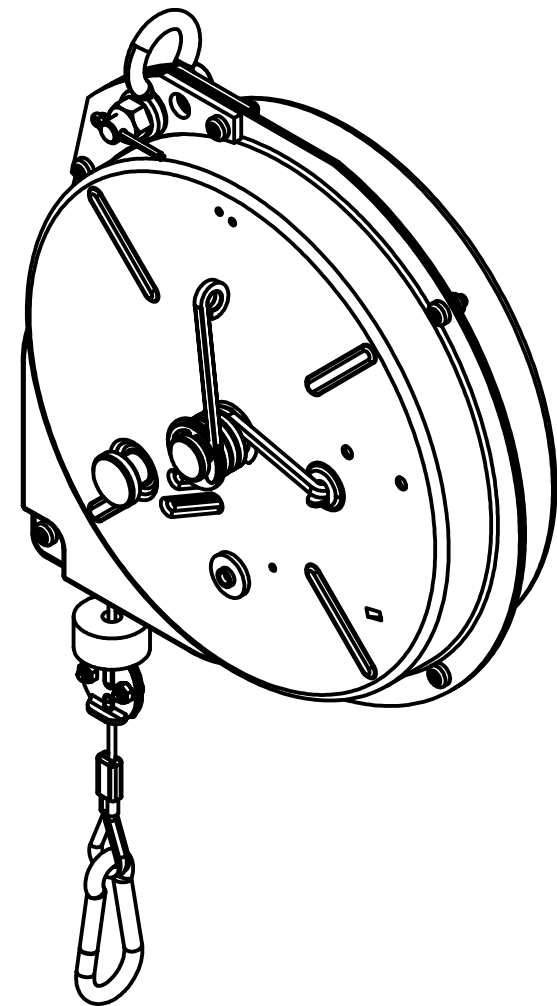
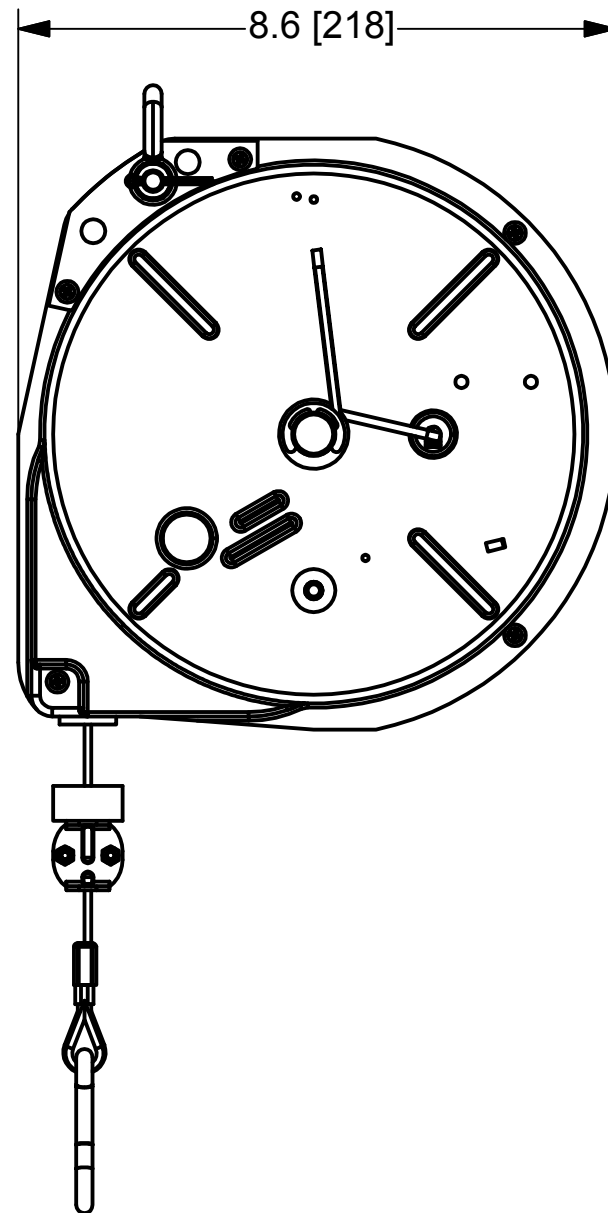
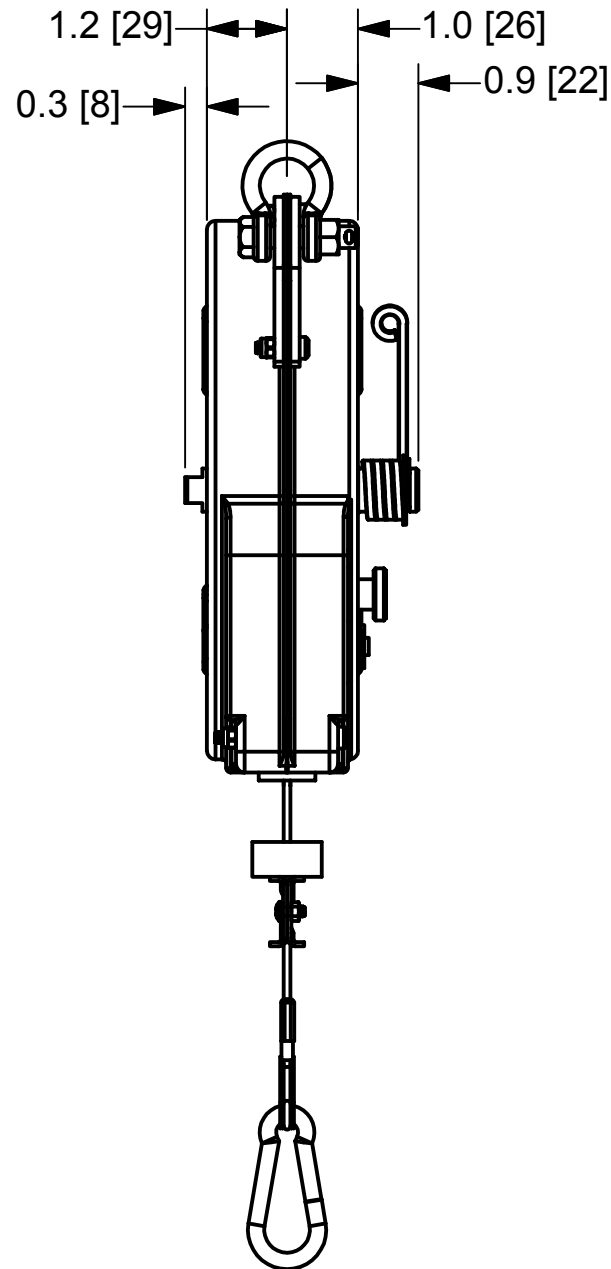
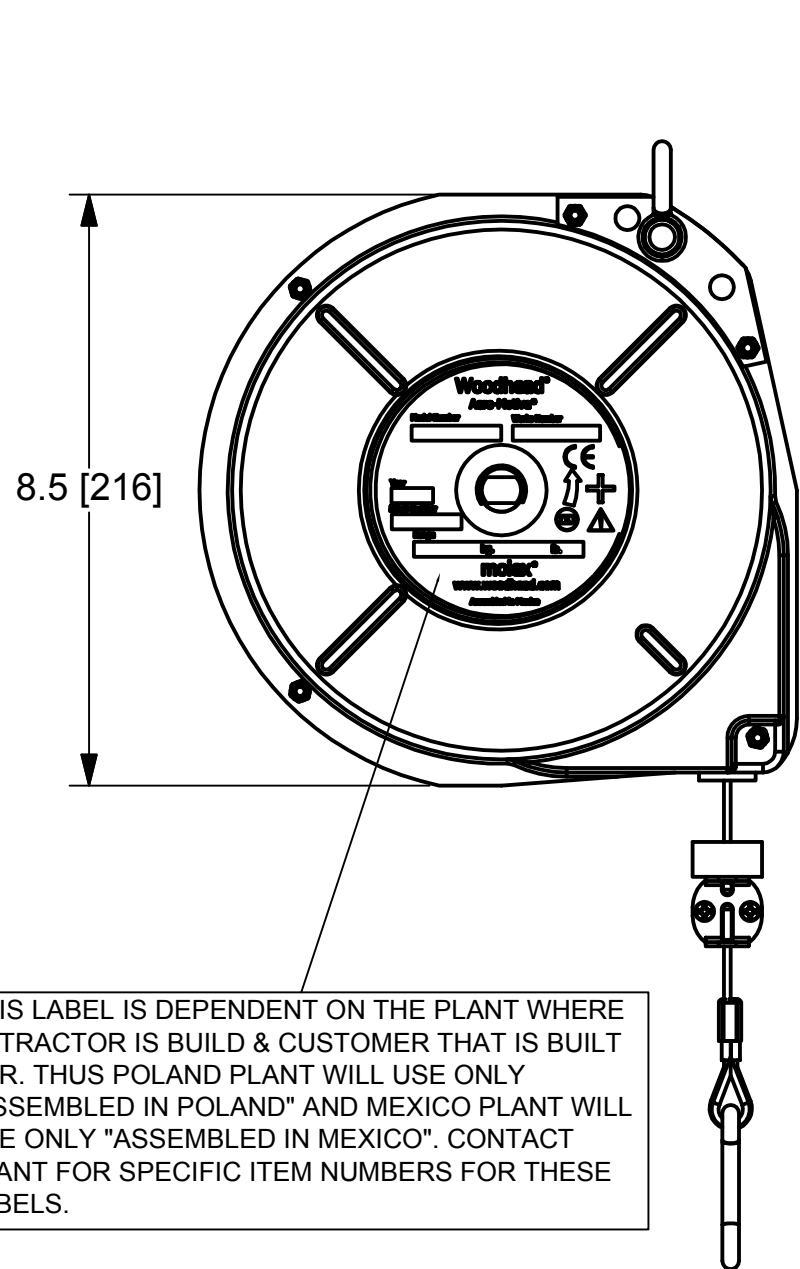
E

D

C

B

A



THIS LABEL IS DEPENDENT ON THE PLANT WHERE RETRACTOR IS BUILD & CUSTOMER THAT IS BUILT FOR. THUS POLAND PLANT WILL USE ONLY "ASSEMBLED IN POLAND" AND MEXICO PLANT WILL USE ONLY "ASSEMBLED IN MEXICO". CONTACT PLANT FOR SPECIFIC ITEM NUMBERS FOR THESE LABELS.

ALL DIMENSIONS ARE FOR REFERENCE ONLY.

**NOTES:**

1. RETRACTORS ARE 100% INSPECTED & PRE-TENSIONED AT FACTORY.
2. STEEL HOUSINGS HAVE A POWDER COATED FINISH TO MEET HARSH INDUSTRIAL ENVIRONMENTS.
3. ALWAYS READ INSTRUCTIONS MANUAL BEFORE USING RETRACTORS.
4. RETRACTORS ARE NOT TO BE USED AS BALANCERS THEIR MAIN PURPOSE BEING TO RETRACT A LOAD AND NOT TO BALANCE ONE.
5. STANDARD RETRACTORS DO NOT COME EQUIPPED WITH A SAFETY CHAIN. IF APPLICATION REQUIRES A SAFETY CHAIN ADD "SC" SUFFIX TO STANDARD PART NUMBER. EXAMPLE 5FLRSC.
6. WHEN MOUNTING RETRACTOR, ALWAYS MAKE SURE THAT SAFETY PIN WHICH COMES WITH SHACKLE IS INSTALLED & SECURED.
7. TURN KNOB IS TO BE ENGAGED BY "HAND ONLY". NO TOOLS ARE BE USED TO TURN KNOB. MOVE LOAD UP & DOWN TO ENGAGE KNOB.

RELEASE TO SALES EC NO: WNA2009-0423 DRWN: RHOTCA CHKD: DT APPR: DITLUS	9/18/09 2009/09/18 2009/09/25	DESCRIPTION REV	<b>QUALITY SYMBOLS</b> ▽=0 ▽=0	<b>GENERAL TOLERANCES (UNLESS SPECIFIED)</b>			<b>DIMENSION STYLE</b> IN/MM		SCALE NTS	DESIGN UNITS INCH	THIRD ANGLE PROJECTION
				4 PLACES ±NA ±NA 3 PLACES ±NA ±NA 2 PLACES ±NA ±NA 1 PLACE ±NA ±NA	DRAWN BY RH	DATE 2009/09/18	TITLE 10/15/22"FLR" & "FLRSC SERIES OF RETRACTORS GENERAL INFORMATION				
				ANGULAR ±---°	CHECKED BY DT	DATE 2009/09/18	APPROVED BY DITLUS		DATE 2009/09/24	MOLEX	MOLEX INCORPORATED
				<b>DRAFT WHERE APPLICABLE          MUST REMAIN          WITHIN DIMENSIONS</b>	MATERIAL NO. SEE TABLE		DOCUMENT NO. SD-130175-004	SHEET NO. 1 OF 2			

10

9

8

7

6

5

4

3

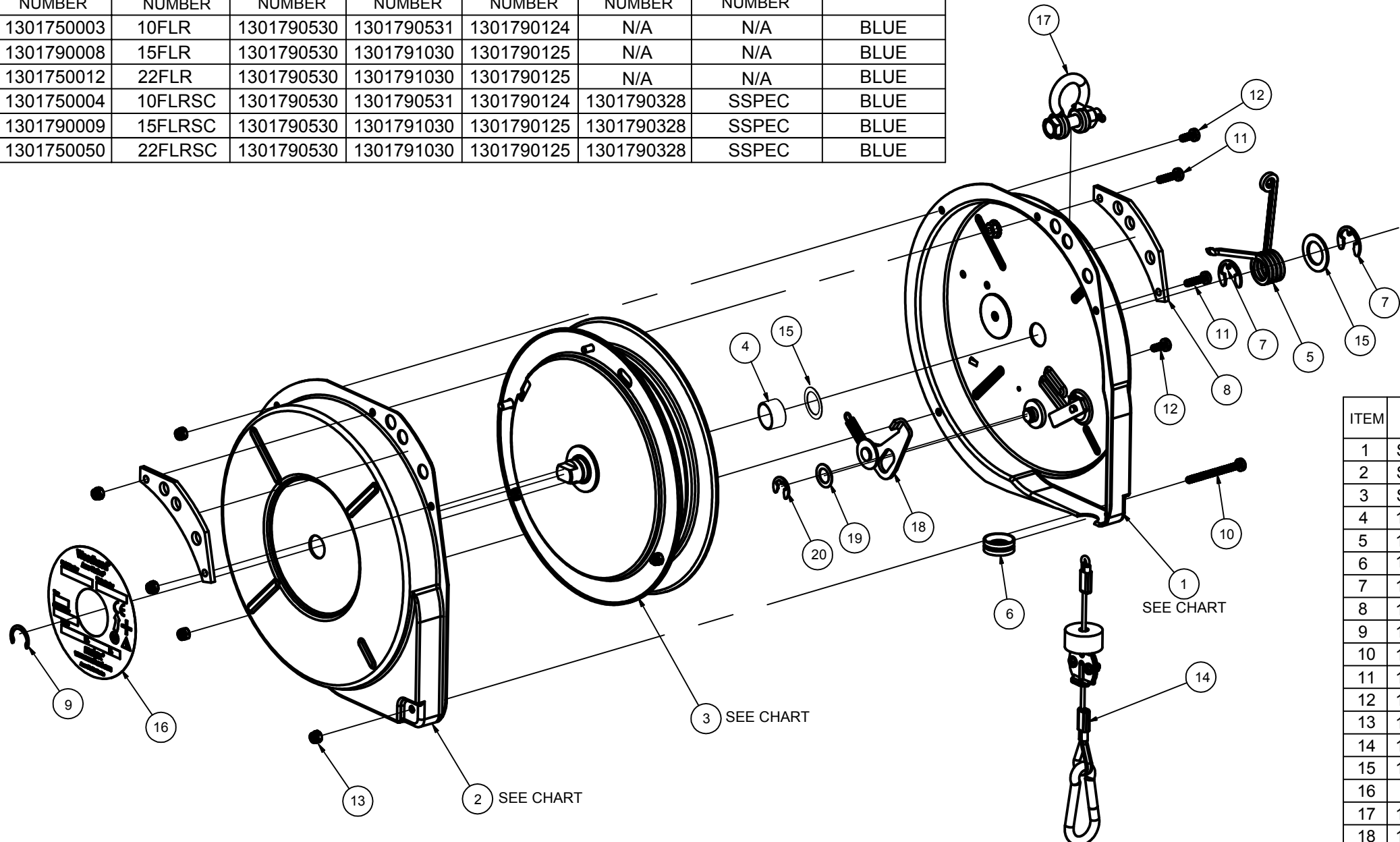
2

1

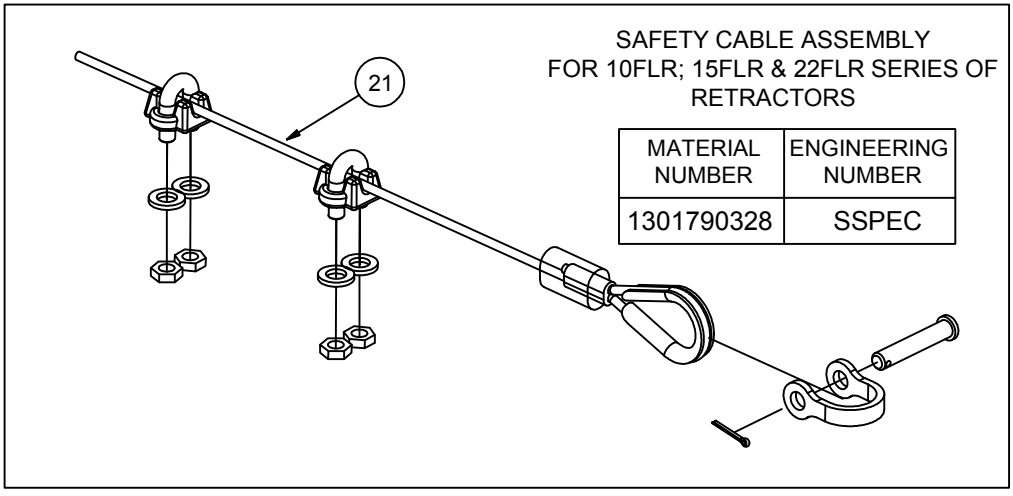
RETRACTOR MODEL:		ITEM #1:	ITEM #2:	ITEM #3:	ITEM 21 SAFETY CHAIN USAGE IN ASSEMBY:		RETRACTOR OUTER COLOR
MATERIAL NUMBER	ENGINEERING NUMBER	MATERIAL NUMBER	MATERIAL NUMBER	MATERIAL NUMBER	MATERIAL NUMBER	ENGINEERING NUMBER	
1301750003	10FLR	1301790530	1301790531	1301790124	N/A	N/A	BLUE
1301790008	15FLR	1301790530	1301791030	1301790125	N/A	N/A	BLUE
1301750012	22FLR	1301790530	1301791030	1301790125	N/A	N/A	BLUE
1301750004	10FLRSC	1301790530	1301790531	1301790124	1301790328	SSPEC	BLUE
1301790009	15FLRSC	1301790530	1301791030	1301790125	1301790328	SSPEC	BLUE
1301750050	22FLRSC	1301790530	1301791030	1301790125	1301790328	SSPEC	BLUE

### LOAD CAPACITY CHART:

RETRACTOR MODEL:		EACH RETRACT IS 100% TESTED UNDER THIS WEIGHT:	
MATERIAL NUMBER	ENGINEERING NUMBER	IN LBS:	IN KGS:
1301750003	10FLR	10	4.5
1301750008	15FLR	15	6.8
1301750012	22FLR	22	10



ITEM	MATERIAL NUMBER	ENGINEERING NUMBER	ITEM DESCRIPTION
1	SEE CHART	SEE CHART	10/15/22 "FLR" HSNG SPRING SIDE-POWDER XX
2	SEE CHART	SEE CHART	10/15/22 "FLR" HSNG PLAIN SIDE-POWDER XX
3	SEE CHART	SEE CHART	10/15/22 "FLR" ASSY SPRING & CABLE DRUM
4	1302344691	9611-1	MAIN SHAFT SPACER FOR 10F/15F/22F
5	1301790017	13611	TENSION LOCK SPRING
6	1302344666	13613	GUIDE - CABLE OUTLET
7	1302344704	AG10310	RET RING-ANDERTON N1500-62:BZP
8	1302261716	M62710002	HANGER BRACKET FOR 10F/15F/22F BALANCER
9	1302344690	580-P-35	EXTERNAL CIRCLIP 0.625" SHAFT
10	1302344712	AG14614	SCREW M4X45LG Posi PHD BZP
11	1302344711	AG14613	SCREW M4X16Lg Posi PHEAD BZP
12	1302344710	AG14612	SCREW M4X10LG Posi PHEAD BZP
13	1302344713	AG14615	M4 NYLOC NUT
14	1301790121	9678-8	8FT/2.4M ASSY CABLE FOR 10/15/22 F&FLR
15	1302344673	14099	WASHER -.63 I.D.x.88 O.D.x.02 W - BZP
16	N/A	N/A	ROUND LABEL SEE PLANT FOR INFO ON P/N
17	1302264648	1240-P-10	TOP SHACKLE ASSY WITH SAFETY PIN
18	1301790120	9674-2	ASSY SCROLL LOCK LEVER FOR F SERIES
19	1301790170	AG18769	SHIM WASHER 16mmODx10mmIDx0.5mmTK
20	1301790092	580-P-30	EXTERNAL CIRCLIP 0.375" SHAFT
21	SEE CHART	SEE CHART	SAFETY CABLE ASSY SEE CHART FOR USAGE



RELEASE TO SALES EC NO: WNA2009-0423 DRWN: RHOTCA CHKD: DT APPR: DITITUS	9/18/09 2009/09/18 2009/09/25	DESCRIPTION QUALITY SYMBOLS ▽=0 ▽=0	<b>GENERAL TOLERANCES (UNLESS SPECIFIED)</b> <table border="1" style="font-size: small;"> <tr> <th></th> <th>mm</th> <th>INCH</th> </tr> <tr> <td>4 PLACES</td> <td>±NA</td> <td>±NA</td> </tr> <tr> <td>3 PLACES</td> <td>±NA</td> <td>±NA</td> </tr> <tr> <td>2 PLACES</td> <td>±NA</td> <td>±NA</td> </tr> <tr> <td>1 PLACE</td> <td>±NA</td> <td>±NA</td> </tr> </table>		mm	INCH	4 PLACES	±NA	±NA	3 PLACES	±NA	±NA	2 PLACES	±NA	±NA	1 PLACE	±NA	±NA	DIMENSION STYLE <b>IN/MM</b> DRAWN BY: <b>RH</b> DATE: <b>2009/09/18</b> CHECKED BY: <b>DT</b> DATE: <b>2009/09/18</b> APPROVED BY: <b>DTITUS</b> DATE: <b>2009/09/24</b>	SCALE: <b>NTS</b> DESIGN UNITS: <b>INCH</b> THIRD ANGLE PROJECTION	<b>10/15/22"FLR" &amp; "FLRSC SERIES OF RETRACTORS GENERAL INFORMATION</b> <b>MOLEX INCORPORATED</b>	
		mm	INCH																			
	4 PLACES	±NA	±NA																			
	3 PLACES	±NA	±NA																			
2 PLACES	±NA	±NA																				
1 PLACE	±NA	±NA																				
DRAFT WHERE APPLICABLE MUST REMAIN WITHIN DIMENSIONS			MATERIAL NO. <b>SEE TABLE</b>	DOCUMENT NO. <b>SD-130175-004</b>	SHEET NO. <b>2 OF 2</b>																	
THIS DRAWING CONTAINS INFORMATION THAT IS PROPRIETARY TO MOLEX INCORPORATED AND SHOULD NOT BE USED WITHOUT WRITTEN PERMISSION																						