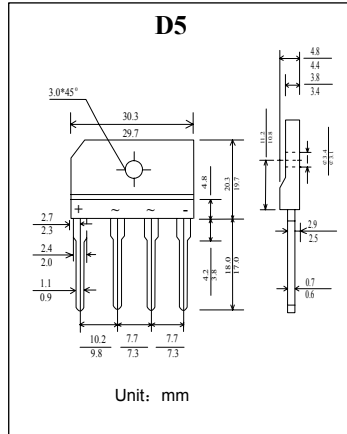


塑封整流桥堆
反向电压 600V
正向电流 15 A

Plastic Bridge Rectifier
Reverse Voltage 600 V
Forward Current 15 A



特征 Features

- 低的反向漏电流 Low reverse leakage
- 较强的正向浪涌承受能力 High forward surge capability
- 浪涌承受能力: 200 A Surge overload rating: 200 Amperes peak
- 引线 and 管体皆符合RoHS标准。
Lead and body according with RoHS standard

机械数据 Mechanical Data

- 封装: 塑料封装 Case: Molded Plastic
- 极性: 标记模压或印于本体 Polarity: Symbols molded or marked on body
- 安装位置: 任意 Mounting Position: Any

极限值和温度特性 TA = 25°C 除非另有规定。

Maximum Ratings & Thermal Characteristics Ratings at 25°C ambient temperature unless otherwise specified.

	符号 Symbols	T15XB60	单位 Unit
最大可重复峰值反向电压 Maximum repetitive peak reverse voltage	V _{RRM}	600	V
最大均方根电压 Maximum RMS voltage	V _{RMS}	420	V
最大直流阻断电压 Maximum DC blocking voltage	V _{DC}	600	V
最大正向平均整流电流 Maximum average forward rectified current	I _{F(AV)}	15	A
峰值正向浪涌电流 8.3ms单一正弦半波 Peak forward surge current 8.3 ms single half sine-wave	I _{FSM}	200	A
典型热阻 Typical thermal resistance	R _{θJA}	22	°C/W
工作结温和存储温度 Operating junction and storage temperature range	T _J , T _{STG}	-55 --- +150	°C

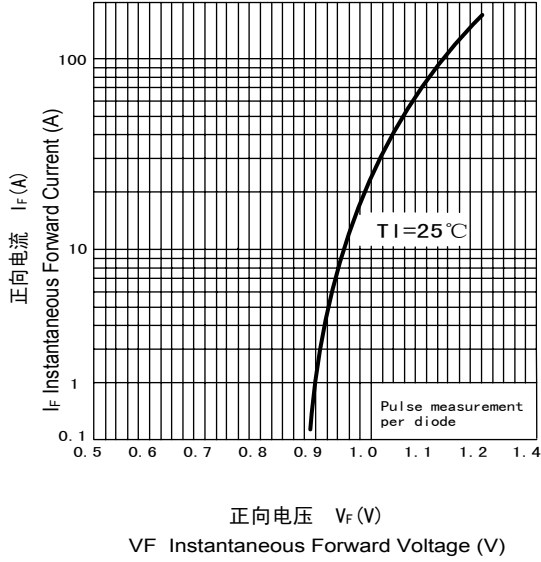
电特性 TA = 25°C 除非另有规定。

Electrical Characteristics Ratings at 25°C ambient temperature unless otherwise specified.

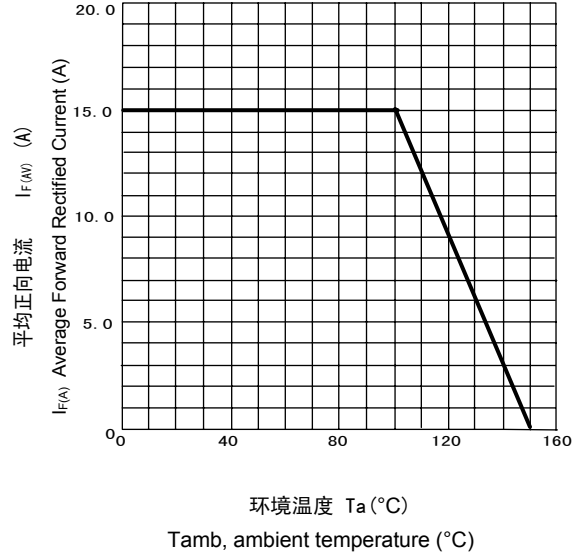
	符号 Symbols	T15XB60	单位 Unit
最大正向电压 Maximum forward voltage	I _F = 7.5A V _F	1.1	V
最大反向电流 Maximum reverse current	TA = 25°C TA = 100°C I _R	10 500	μA
典型结电容 VR = 4.0V, f = 1MHz Type junction capacitance	C _j	40	pF

特性曲线 Characteristic Curves

正向特性曲线 (典型值)
TYPICAL FORWARD CHARACTERISTIC



正向电流降额曲线
FORWARD CURRENT DERATING CURVE



浪涌特性曲线 (最大值)
MAXIMUM NON REPETITIVE
PEAK FORWARD SURGE CURRENT

