

**PLEASE CHECK WWW.MOLEX.COM FOR LATEST PART INFORMATION**

**Part Number:** **0192120004**  
**Status:** **Active**  
**Overview:** [wire\\_pins](#)  
**Description:** InsulKrimp™ Wire Pin Terminal for 22-18 AWG Wire, Mylar Tape Carrier

**Documents:**

[Drawing \(PDF\)](#) [RoHS Certificate of Compliance \(PDF\)](#)

**Agency Certification**

CSA LR18689  
 UL E32244

**General**

Product Family Crimp Terminals  
 Series [19212](#)  
 Comments Pin Length 9.40mm (.370")  
 Crimp Quality Equipment Yes  
 Overview [wire\\_pins](#)  
 Product Name Wire Pin

**Physical**

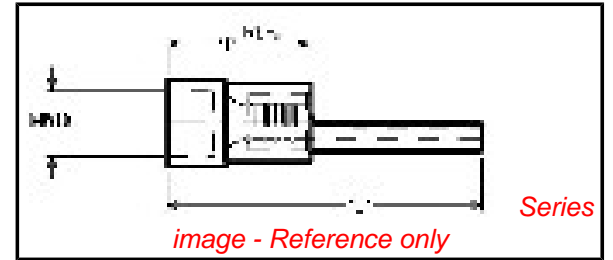
Flammability 94V-2  
 Gender Male  
 Material - Metal Copper  
 Material - Plating Mating Tin  
 Packaging Type Adhesive Tape on Reel  
 Plating min: Mating (µin) 39  
 Plating min: Mating (µm) 1.00  
 Termination Interface: Style Crimp or Compression  
 Wire Insulation Diameter 3.68mm (.145") max.  
 Wire Size AWG 18, 19, 20, 22  
 Wire Size mm² N/A

**Material Info**

Old Part Number WP-2218XT

**Reference - Drawing Numbers**

Sales Drawing SD-19212-001



**EU RoHS**

**ELV and RoHS  
 Compliant**  
**REACH SVHC**  
 Not Reviewed  
**Halogen-Free  
 Status**  
**Not Reviewed**

**China RoHS**



**Need more information on product  
 environmental compliance?**

Email [productcompliance@molex.com](mailto:productcompliance@molex.com)  
 For a multiple part number RoHS Certificate of  
 Compliance, [click here](#)

Please visit the [Contact Us](#) section for any  
 non-product compliance questions.

**Search Parts in this Series**

[19212Series](#)

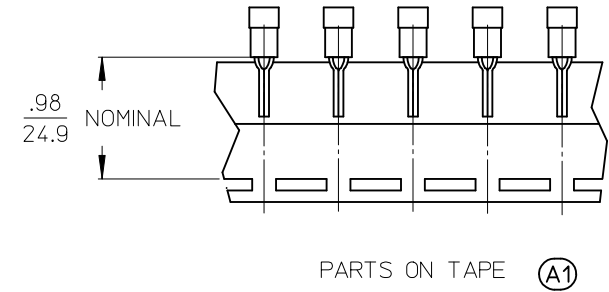
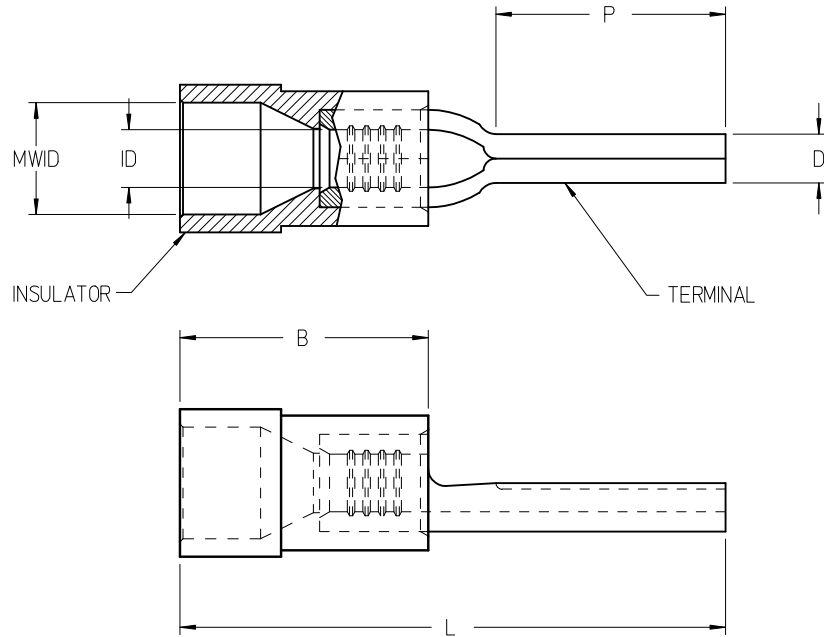
**Application Tooling | FAQ**

*Tooling specifications and manuals are  
 found by selecting the products below.  
 Crimp Height Specifications are then  
 contained in the Application Tooling  
 Specification document.*

**Global**

Description	Product #
Crimp Dies for MTA-100 Tape Applicator used in 3BF Press, MTA-105 Tape Applicator used in TM-2000™ Press, and ATP-301 Air Crimping Press for Mylar Tape Mounted Terminals	<a href="#">0192880023</a>
Mini-Mac™ Applicator	<a href="#">0638851300</a>

MATERIAL NO. LOOSE PIECE	ENGINEERING NO. LOOSE PIECE	MATERIAL NO. ON TAPE	ENGINEERING NO. ON TAPE	WIRE SIZE	INSULATOR COLOR	ID MINIMUM	L MAXIMUM	P (A1) MINIMUM	D ±.01/0.25	MWID	B MAX (A1)
192120003	WP-2218X	192120004	WP-2218XT	22-18 AWG	RED	.055/1.40	.93/23.6	.35/8.9	.078/1.98	.145/3.68	.41/10.4
192120005	WP-2614X	192120006	WP-2614XT	16-14 AWG	BLUE	.081/2.06 (A1)	.93/23.6	.35/8.9	.078/1.98	.175/4.44	.41/10.4
192120001	WP-2210X	192120002	WP-2210XT	12-10 AWG	YELLOW	.126/3.20	1.12/28.4	.41/10.4	.107/2.72	.250/6.35	.56/14.2



NOTES:

1. TERMINAL MATERIAL: COPPER
2. TERMINAL FINISH: TIN PLATED
3. INSULATOR MATERIAL: PVC
4. MWID = MAXIMUM WIRE INSULATION DIAMETER.
5. PARTS ARE ROHS COMPLIANT.

<b>CORRECT TOLERANCES</b> EC NO: WNA2009-0437 DRW: HETHRODAHL 2010/02/19 CHKD: JMACNEIL 2010/03/01 APPR: JMACNEIL 2010/03/18	QUALITY SYMBOLS ▽=0 ▽7=0	GENERAL TOLERANCES (UNLESS SPECIFIED) <table border="1"> <thead> <tr> <th></th> <th>mm</th> <th>INCH</th> </tr> </thead> <tbody> <tr> <td>4 PLACES</td> <td>±---</td> <td>±---</td> </tr> <tr> <td>3 PLACES</td> <td>±---</td> <td>±---</td> </tr> <tr> <td>2 PLACES</td> <td>±---</td> <td>±---</td> </tr> <tr> <td>1 PLACE</td> <td>±---</td> <td>±---</td> </tr> </tbody> </table>		mm	INCH	4 PLACES	±---	±---	3 PLACES	±---	±---	2 PLACES	±---	±---	1 PLACE	±---	±---	DIMENSION STYLE IN/MM	SCALE 5:1	DESIGN UNITS INCH	THIRD ANGLE PROJECTION
		mm	INCH																		
	4 PLACES	±---	±---																		
	3 PLACES	±---	±---																		
2 PLACES	±---	±---																			
1 PLACE	±---	±---																			
DRAWN BY EMF	DATE 1992/10/08	TITLE WIRE PIN TERMINAL, INSULKRIMP																			
CHECKED BY JM	DATE 1992/10/08	MOLEX INCORPORATED																			
APPROVED BY JMACNEIL	DATE 2010/03/18	MATERIAL NO. SEE CHART	DOCUMENT NO. SD-19212-001	SHEET NO. 1 OF 1																	

DRAFT WHERE APPLICABLE MUST REMAIN WITHIN DIMENSIONS

SIZE B

THIS DRAWING CONTAINS INFORMATION THAT IS PROPRIETARY TO MOLEX INCORPORATED AND SHOULD NOT BE USED WITHOUT WRITTEN PERMISSION