

PLEASE CHECK WWW.MOLEX.COM FOR LATEST PART INFORMATION

Part Number: [0511420200](#)
Status: **Active**
Description: 6.50mm (.256") Pitch Wire-to-Board Receptacle Housing, 2 Circuits

Documents:

[3D Model](#)
[Drawing \(PDF\)](#)
[Product Specification PS-51142-002 \(PDF\)](#)
[Product Specification PS-51142-003 \(PDF\)](#)
[RoHS Certificate of Compliance \(PDF\)](#)

Agency Certification

CSA	LR19980
TUV	R72081037
UL	E29179

General

Product Family	Crimp Housings
Series	51142
Product Name	N/A

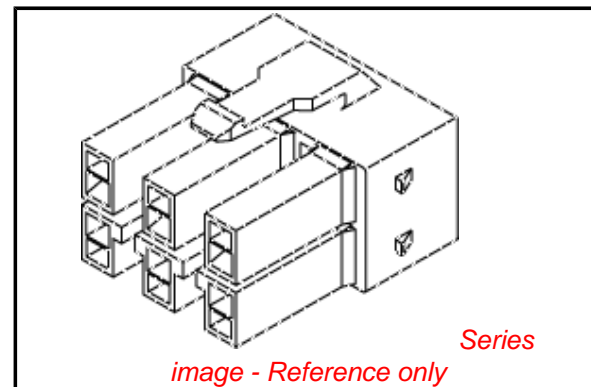
Physical

Circuits (maximum)	2
Color - Resin	Natural
Flammability	94V-0
Gender	Female
Glow-Wire Compliant	No
Material - Resin	Polyester
Number of Rows	2
Packaging Type	Bag
Panel Mount	No
Pitch - Mating Interface (in)	0.256 In
Pitch - Mating Interface (mm)	6.50 mm
Stackable	No
Temperature Range - Operating	-40°C to +105°C

Material Info

Reference - Drawing Numbers

Product Specification	PS-51142-002, PS-51142-003, RPS-51142-001, RPS-51142-002, RPS-51142-003, RPS-51142-004, RPS-51142-005, RPS-51142-006, RPS-51142-007, RPS-51142-008
Sales Drawing	SD-51142-**00



EU RoHS

ELV and RoHS Compliant
REACH SVHC Contains SVHC: No
Halogen-Free Status

China RoHS



Not Halogen-Free

Need more information on product environmental compliance?

Email productcompliance@molex.com
 For a multiple part number RoHS Certificate of Compliance, [click here](#)

Please visit the [Contact Us](#) section for any non-product compliance questions.

Search Parts in this Series

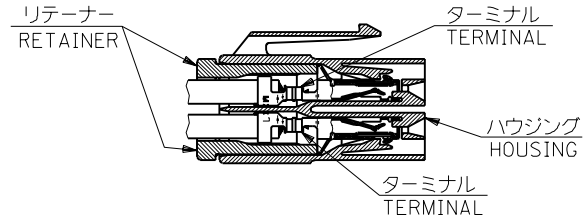
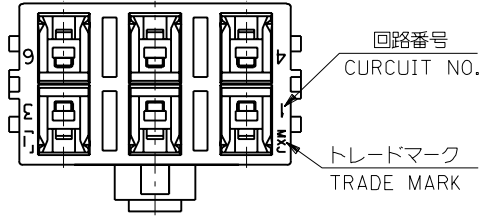
[51142Series](#)

Mates With

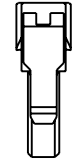
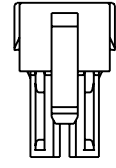
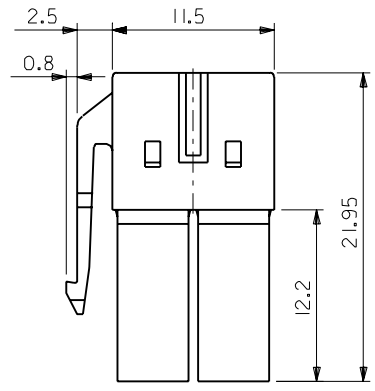
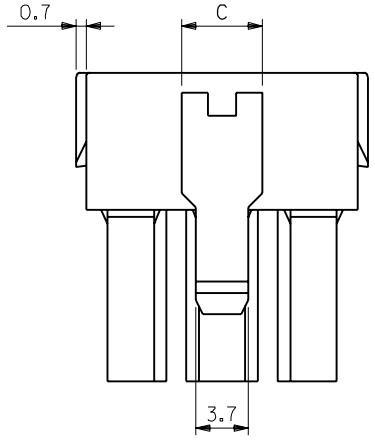
[53721](#) , [53728](#)

Use With

[50597](#) , [51143](#) , [50598](#)



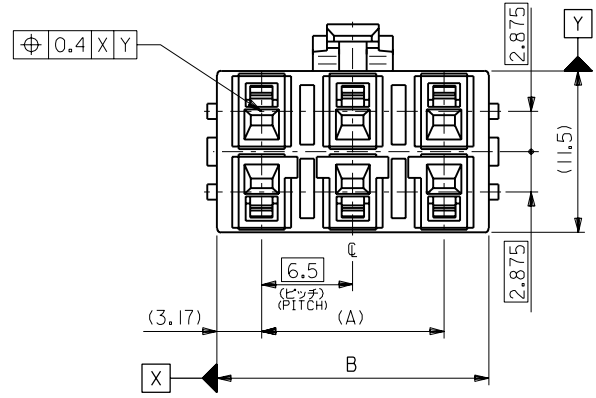
ターミナル及びリテーナー装着状態図
TERMINAL & RETAINER ASSEMBLY DRAWING



ロック形状図
LOCK CONFIGURATION

注記
NOTES

- 適合ターミナル : 50597, 50598
APPLICABLE TERMINAL : 50597 , 50598
- 適合リテーナー : 51143
APPLICABLE RETAINER : 51143
- 嵌合相手 : 53721, 53728 シリーズ
MATE WITH : 53721, 53728 SERIES



5.7	19.34	13	51142-0600	6
3.7	12.84	6.5	51142-0400	4
5.7	6.34	—	51142-0200	2
C	B	A	ENG. NO.	極致 CKT.

角度 ANGLE	+3°	C	変更 REVISED (JC70283)	T.A. Y.A.	96/09/09
30以上 OVER	+0.3	B	変更 REVISED (JC60733)	H.F. M.F.	96/04/11
10以上 30未満 OVER UNDER	+0.25	A	変更 REVISED (JC60546)	H.F. H.H.	96/02/08
10未満 UNDER	+0.2	O	新規作成 PROPOSED (JC60393)	S.M. H.H.	95/12/15
一般公差 GENERAL TOLERANCES		記号 LTR	変更内容 REVISION RECORD	DR. CHK.	日付 DATE

材料 MATERIAL	PBTP, UL94V-0 (色 : 自然色) (COLOR : NATURAL)
仕上げ FINISH	—
適用電線範囲 WIRE RANGE	—
被覆外径 INS. RANGE	—
DRAWN BY	'95/12/15 CHK'D BY '96/09/09
APP'D BY	'96/09/09 尺度
M.FUKUSHIMA	SCALE

molex MOLEX-JAPAN CO.,LTD. 日本モレックス株式会社	
REVISE ONLY ON CAD SYSTEM	
TITLE 名称	
6.5 WIRE TO BOARD CONN. RECEPTACLE HOUSING	
DWG. NO.	REV
SD-51142-***00	C