

PLEASE CHECK WWW.MOLEX.COM FOR LATEST PART INFORMATION

Part Number: [0541043231](#)
Status: **Active**
Overview: [ffc fpc smt](#)
Description: 0.50mm (.020") Pitch FFC/FPC Connector, Right Angle, SMT, ZIF, Top Contact Style, 32 Circuits, Lead-free, 0.1µm (4µ") Gold (Au) Plating

Documents:

[3D Model](#) [Product Specification PS-54104-071 \(PDF\)](#)
[Drawing \(PDF\)](#) [RoHS Certificate of Compliance \(PDF\)](#)

Agency Certification

UL E29179

General

Product Family FFC/FPC Connectors
 Series [54104](#)
 Overview [ffc fpc smt](#)
 Product Name N/A

Physical

Circuits (Loaded) 32
 Color - Resin Natural
 Contact Position Top
 Durability (mating cycles max) 20
 Entry Angle 90° Angle
 Flammability 94V-0
 Mated Height (in) 0.079 In
 Mated Height (mm) 2.00 mm
 Material - Metal Phosphor Bronze
 Material - Resin High Temperature Thermoplastic
 Number of Rows 1
 Orientation Right Angle
 PC Tail Length (in) 0.024 In
 PC Tail Length (mm) 0.60 mm
 PCB Locator No
 PCB Retention Yes
 Packaging Type Embossed Tape on Reel
 Pitch - Mating Interface (in) 0.020 In
 Pitch - Mating Interface (mm) 0.50 mm
 Polarized to PCB Yes
 Stackable No
 Surface Mount Compatible (SMC) N/A
 Temperature Range - Operating -20°C to +85°C
 Termination Interface: Style Surface Mount
 Wire/Cable Type FFC/FPC

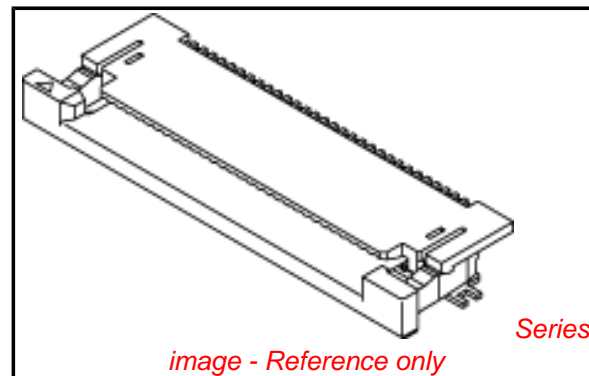
Electrical

Current - Maximum per Contact 0.5A
 Voltage - Maximum 50V

Material Info

Reference - Drawing Numbers

Packaging Specification SPK-54104-001
 Product Specification PS-54104-071, RPS-54104-077, RPS-54104-079, RPS-54104-081, RPS-54104-082, RPS-54104-083,



EU RoHS

**ELV and RoHS
Compliant**

REACH SVHC

Not Reviewed

Halogen-Free

Status

Not Halogen-Free

**Need more information on product
environmental compliance?**

Email productcompliance@molex.com
 For a multiple part number RoHS Certificate of Compliance, [click here](#)

Please visit the [Contact Us](#) section for any non-product compliance questions.

China RoHS



Search Parts in this Series

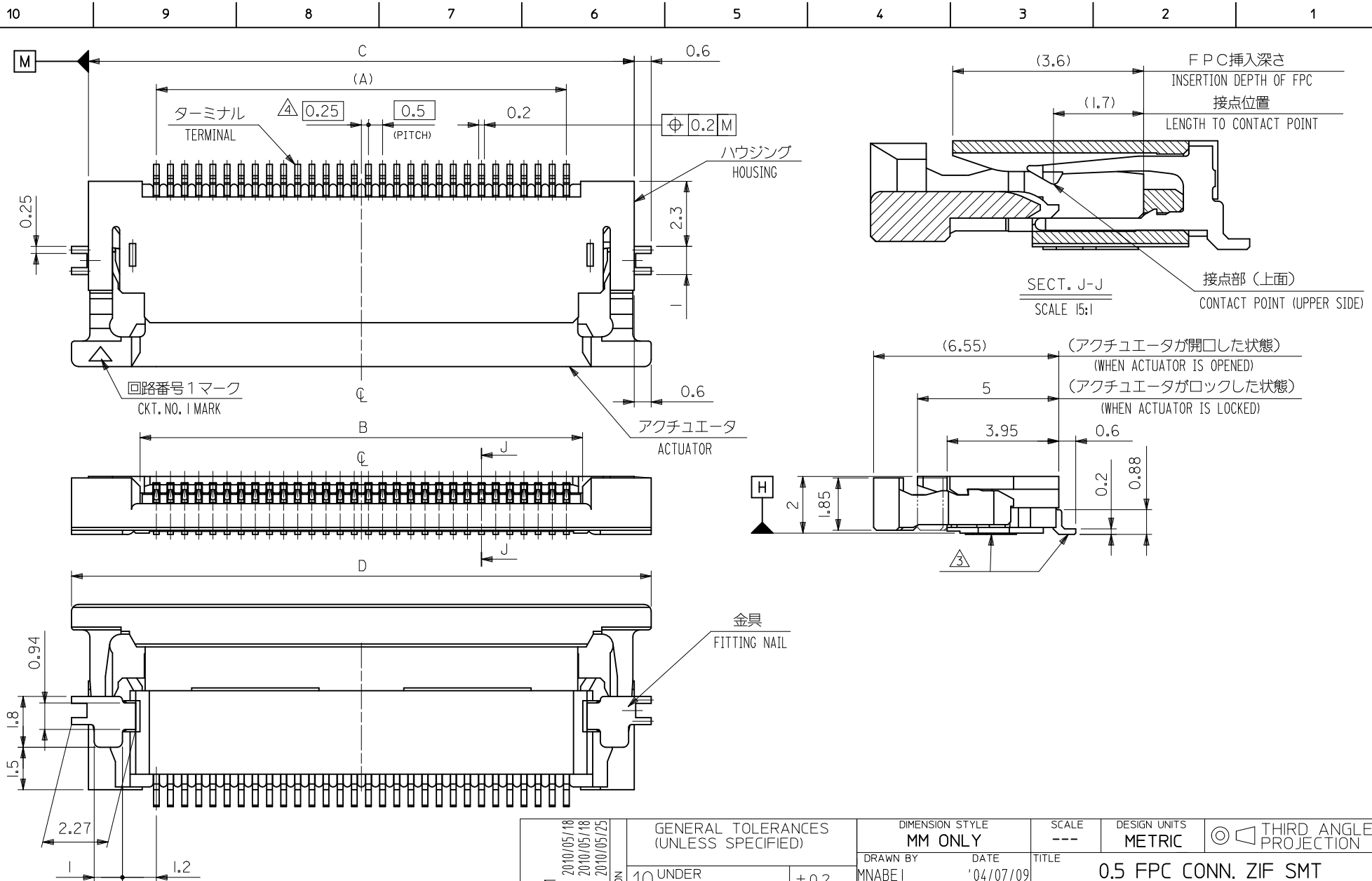
54104Series

Sales Drawing

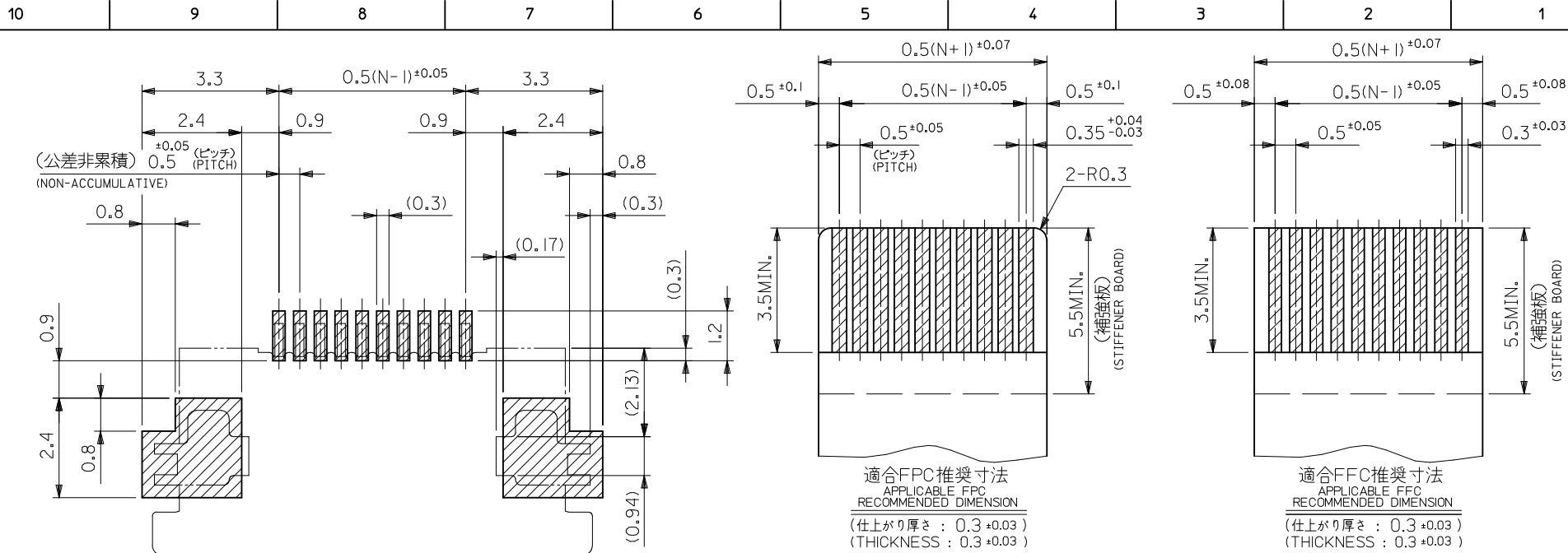
RPS-54104-084, RPS-54104-086, RPS-54104-088,
RPS-54104-089
SD-54104-077, SD-54104-078

This document was generated on 06/07/2010

PLEASE CHECK WWW.MOLEX.COM FOR LATEST PART INFORMATION



REVISED EC NO: J2010-2281 DRWN:HYOSHINO 2010/05/18 CHKD:SHIMIZUYAMA 2010/05/18 APPR:KMORIKAWA 2010/05/25	GENERAL TOLERANCES (UNLESS SPECIFIED)		DIMENSION STYLE MM ONLY	SCALE ---	DESIGN UNITS METRIC	THIRD ANGLE PROJECTION	
	10 UNDER	± 0.2	DRAWN BY MNABEI	DATE '04/07/09	TITLE 0.5 FPC CONN. ZIF SMT R/A UPPER CONTACT -LEAD FREE-		
	10 OVER 30 UNDER	± 0.25	CHECKED BY KTOJO	DATE '04/07/09	MOLEX INCORPORATED		
	30 OVER	± 0.3	APPROVED BY NUKITA	DATE '04/07/09	MATERIAL NO. SEE SHEET 2 OF 2	DOCUMENT NO. SD-54104-077	SHEET NO. 1 OF 2
ANGULAR	$\pm 3^\circ$	DRAFT WHERE APPLICABLE MUST REMAIN WITHIN DIMENSIONS					
SIZE A3	THIS DRAWING CONTAINS INFORMATION THAT IS PROPRIETARY TO MOLEX INCORPORATED AND SHOULD NOT BE USED WITHOUT WRITTEN PERMISSION						



金メッキFPC/FFCについて：打抜き方向は導体側から補強板側を推奨いたします。
 RECOMMENDED PUNCHER DIRECTION: FROM CONDUCTOR SIDE TO STIFFNER BOARD SIDE.

参照基板レイアウト
 RECOMMENDED P.C. BOARD
 PATTERN DIMENSION (REF.)
 (マウント面)
 (MOUNTING SIDE)
 コネクタ位置
 CONNECTOR POSITION

注記 NOTES

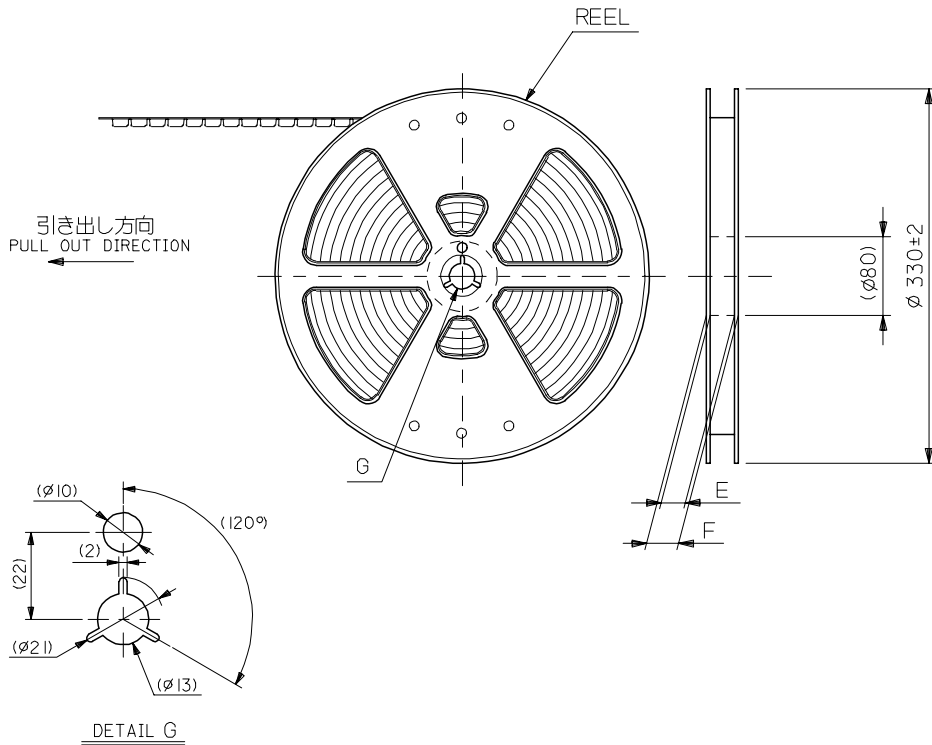
1. 使用材料 MATERIAL
- ハウジング : 46ナイロン UL94V-0
 - HOUSING : 46NYLON
 - アクチュエータ : PPS UL94V-0
 - ACTUATOR
 - ターミナル : リン青銅(t=0.2)
 - TERMINAL : ニッケル下地 : 1.0μm MIN.
金メッキ : 0.14μm MIN.
 - PHOSPHOR BRONZE
GOLD 0.14μm MIN.
OVER NICKEL 1.0μm MIN.
PLATING
 - 金具 : リン青銅、スズめっき(t=0.2)
 - FITTING NAIL PHOS-BRO, TIN-PLATED

2. エンボステープ梱包時は、アクチュエータがロックした状態とする。
 IN THE PACKAGE, ACTUATOR OF PART NO.54104-**-29 SHOULD BE LOCKED.
- △ ソルダータイル半田付け面のズレ量、および金具半田付け面のズレ量は、基準面 H に対し上方向 0.1MAX.、下方向 0.15MAX. とし、相互のバラつき量は 0.1MAX. とする。
 MISALIGNMENT OF SOLDER TAILS AND FITTING NAILS FROM UPPER DIRECTION: 0.1MAX., LOWER DIRECTION: 0.15MAX. OFFSET BETWEEN UPPER AND LOWER 0.1MAX.
- △ 偶数極に適用。
 APPLY FOR EVEN CURCUIT.
- △ バタケンはく離止め用金具
 FITTING NAIL FOR PREVENTION OF PEELING OF P.C.B. PATTERN.
6. 本製品は54104-**-39のターミナル部分金メッキ品である。
7. ELV AND RoHS適合品
 ELV AND RoHS COMPLIANT

30.5	29.3	25.65	24.5	54104-5031	50
28.5	27.3	23.65	22.5	54104-4631	46
28.0	26.8	23.15	22.0	54104-4531	45
27.5	26.3	22.65	21.5	54104-4431	44
27.0	25.8	22.15	21.0	54104-4331	43
25.5	24.3	20.65	19.5	54104-4031	40
24.5	23.3	19.65	18.5	54104-3831	38
23.5	22.3	18.65	17.5	54104-3631	36
23.0	21.8	18.15	17.0	54104-3531	35
22.5	21.3	17.65	16.5	54104-3431	34
22.0	20.8	17.15	16.0	54104-3331	33
21.5	20.3	16.65	15.5	54104-3231	32
20.5	19.3	15.65	14.5	54104-3031	30
D	C	B	A	EMBOSSED PACKAGE オーダー番号: ORDER NO.	CKT.

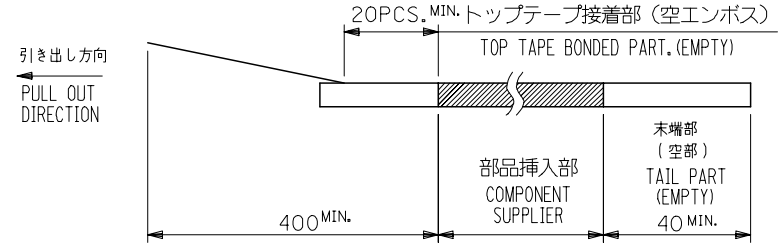
CONNECTOR SERIES NO. : 54104-**-29

REVISED EC NO: J2010-2281 DRWN: HYOSHINO 2010/05/18 CHKD: HSHIMOIYAMA 2010/05/18 APPR: KMORIKAWA 2010/05/25	DESCRIPTION	GENERAL TOLERANCES (UNLESS SPECIFIED)		DIMENSION STYLE		SCALE		DESIGN UNITS		
				MM ONLY		---		METRIC		
		10 UNDER ±0.2		DRAWN BY MNABEI		DATE '04/07/09		TITLE		0.5 FPC CONN. ZIF SMT R/A UPPER CONTACT -LEAD FREE- MOLEX INCORPORATED
		10 OVER 30 UNDER ±0.25		CHECKED BY KTOJO		DATE '04/07/09				
30 OVER ±0.3		APPROVED BY NUKITA		DATE '04/07/09						
ANGULAR ±3 °		MATERIAL NO.		DOCUMENT NO.		SHEET NO.				
DRAFT WHERE APPLICABLE MUST REMAIN WITHIN DIMENSIONS		SIZE A3		SEE TABLE		SD-54104-077		2 OF 2		



NOTES

1. 梱包数量：1500個/リール
NUMBER OF CONNECTORS : 1500PCS/REEL
2. リードテープ長さ LEAD TAPE LENGTH

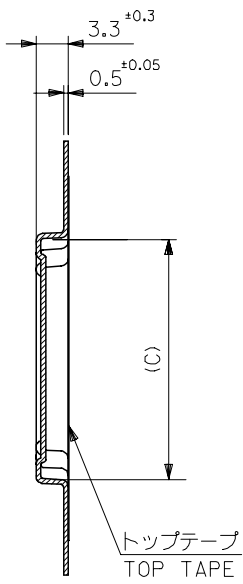


3. 材料 (MATERIAL)
 キャリアテープ (CARRIER TAPE) : ポリプロピレン (POLYPROPYLENE)
 トップテープ (TOPTAPE) : PET , PE , PEF
 リール (REEL) : ポリスチレン (POLYSTYLENE)
4. 本製品は 54104-**-96 のターミナル部分金メッキ品である。

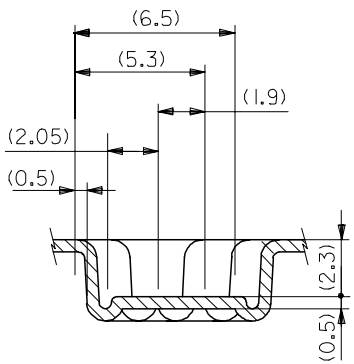
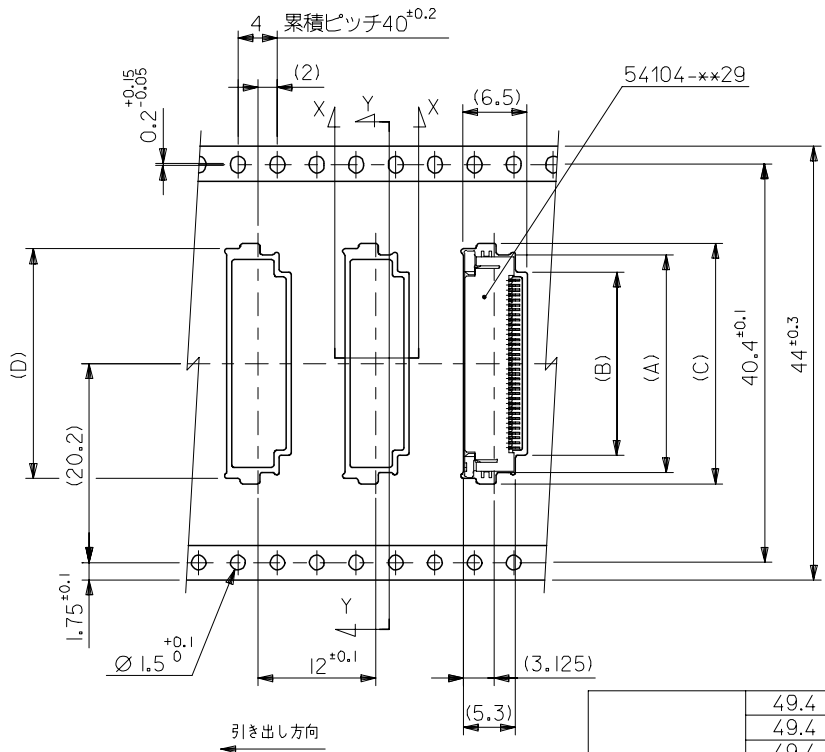
REVISED EC NO: J2007-2009 DRWN: YAMADA01 2007/01/23 CHKD: TOYODA 2007/01/25 APPR: NUKITA 2007/01/25	GENERAL TOLERANCES (UNLESS SPECIFIED)		DIMENSION STYLE MM ONLY	SCALE 2:1	DESIGN UNITS METRIC	THIRD ANGLE PROJECTION
	10 UNDER	± 0.2	DRAWN BY MNABEI	DATE '04/07/09	TITLE EMBOSSD TAPE PACKAGE FOR 54104-**-29 -LEAD FREE-	
	10 OVER 30 UNDER	± 0.25	CHECKED BY KTOJO	DATE '04/07/09	MOLEX INCORPORATED	
	30 OVER	± 0.3	APPROVED BY NUKITA	DATE '04/07/09		
	ANGULAR	± 3 °	MATERIAL NO. SEE CHART		DOCUMENT NO. SD-54104-078	SHEET NO. 1 OF 2
DRAFT WHERE APPLICABLE MUST REMAIN WITHIN DIMENSIONS		SIZE A3	THIS DRAWING CONTAINS INFORMATION THAT IS PROPRIETARY TO MOLEX INCORPORATED AND SHOULD NOT BE USED WITHOUT WRITTEN PERMISSION			

10 9 8 7 6 5 4 3 2 1

F E D C B A



SECT:Y-Y



44	49.4	45.4	30.8	31.9	26.1	29.6	54104-5031	50
	49.4	45.4	28.8	29.9	24.1	27.6	54104-4631	46
	49.4	45.4	28.3	29.4	23.6	27.1	54104-4531	45
	49.4	45.4	27.8	28.9	23.1	26.6	54104-4431	44
	49.4	45.4	27.3	28.4	22.6	26.1	54104-4331	43
	49.4	45.4	25.8	26.9	21.1	24.6	54104-4031	40
	49.4	45.4	24.8	25.9	20.1	23.6	54104-3831	38
	49.4	45.4	23.8	24.9	19.1	22.6	54104-3631	36
	49.4	45.4	23.3	24.4	18.6	22.1	54104-3531	35
	49.4	45.4	22.8	23.9	18.1	21.6	54104-3431	34
	49.4	45.4	22.3	23.4	17.6	21.1	54104-3331	33
	49.4	45.4	21.8	22.9	17.1	20.6	54104-3231	32
49.4	45.4	20.8	21.9	16.1	19.6	54104-3031	30	
キャリアテープ幅 CARRIER TAPE WIDTH	F	E	D	C	B	A	MATERIAL NO.	CKT.

REVISED EC NO: J2007-2009 DRWN: YAMADA01 2007/01/23 CHKD: KTOYODA 2007/01/25 APPR: NUKITA 2007/01/25	GENERAL TOLERANCES (UNLESS SPECIFIED)		DIMENSION STYLE MM ONLY		SCALE 2:1	DESIGN UNITS METRIC	THIRD ANGLE PROJECTION	
	10 UNDER	±0.2	DRAWN BY MNABEI	DATE '04/07/09	TITLE EMBOSSED TAPE PACKAGE FOR 54104-***29 -LEAD FREE-			
	10 OVER 30 UNDER	±0.25	CHECKED BY KTOJO	DATE '04/07/09				
	30 OVER	±0.3	APPROVED BY NUKITA	DATE '04/07/09	MOLEX INCORPORATED MATERIAL NO. SEE CHART DOCUMENT NO. SD-54104-078 SHEET NO. 2 OF 2			
ANGULAR	±3 °	DRAFT WHERE APPLICABLE MUST REMAIN WITHIN DIMENSIONS						