

**PLEASE CHECK WWW.MOLEX.COM FOR LATEST PART INFORMATION**

**Part Number:** [0799250001](#)  
**Status:** **Active**  
**Overview:** [tdp triad differential pair](#)  
**Description:** TDP® (Triad® Differential Pair) PCIe x1 Cable Assembly, 18 Circuit, 1.00m (3.281' ) Length, 4-40 Jackscrew

**Documents:**

[Drawing \(PDF\)](#) [RoHS Certificate of Compliance \(PDF\)](#)

**General**

Product Family	Cable Assemblies
Series	<a href="#">79925</a>
Connector to Connector	PCI Express*-to-PCI Express*, TDP®-to-TDP®
Overview	<a href="#">tdp triad differential pair</a>
Product Name	PCI Express*, TDP®

**Physical**

Cable Length	1.0m (3.28' )
Circuits (Loaded)	18
Color - Resin	Black
Gender	Male-Male
Lock to Mating Part	Yes
Material - Metal	Phosphor Bronze
Material - Plating Mating	Gold
Material - Plating Termination	Tin
Material - Resin	High Temperature Thermoplastic
Packaging Type	Bag
Pitch - Mating Interface (in)	0.050 In
Pitch - Mating Interface (mm)	1.27 mm
Plating min: Mating (µin)	75
Plating min: Mating (µm)	1.875
Plating min: Termination (µin)	100
Plating min: Termination (µm)	2.5
Single Ended	No
Termination Interface: Style	Through Hole
Wire Insulation Diameter	N/A
Wire Size AWG	28
Wire/Cable Type	Round

**Electrical**

Current - Maximum per Contact	1.5A
Shielded	Yes
Voltage - Maximum	40V

**Material Info**

**Reference - Drawing Numbers**

Sales Drawing	SD-79925-001
---------------	--------------



*image - Reference only*

**EU RoHS**

**RoHS Compliant by Exemption**

**REACH SVHC**

Not Reviewed

**Halogen-Free**

Status

**Not Reviewed**

**China RoHS**



Pb

**Need more information on product environmental compliance?**

Email [productcompliance@molex.com](mailto:productcompliance@molex.com)  
 For a multiple part number RoHS Certificate of Compliance, [click here](#)

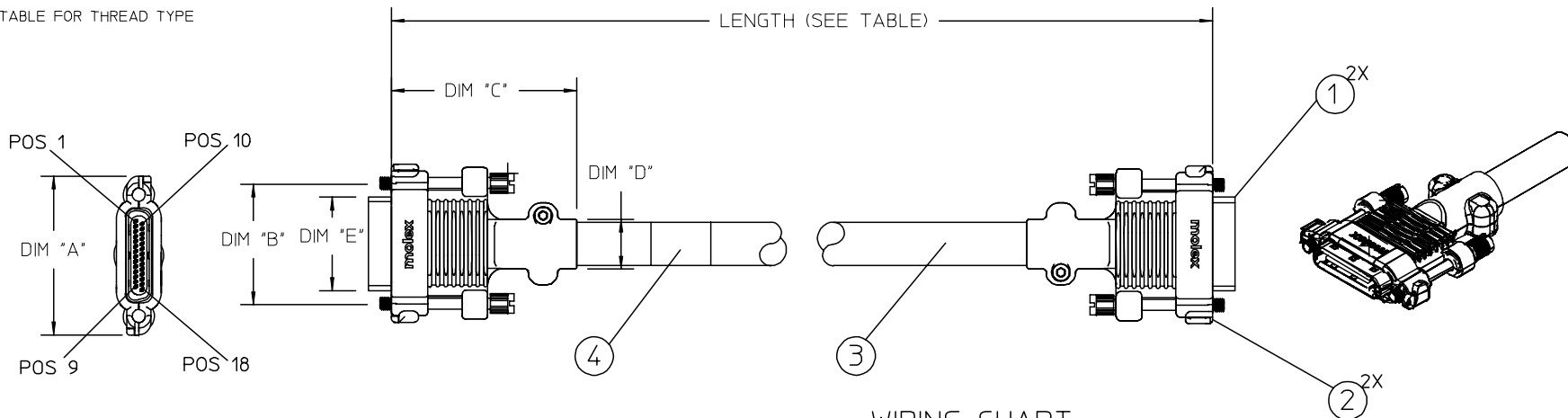
Please visit the [Contact Us](#) section for any non-product compliance questions.

**Search Parts in this Series**

[79925Series](#)

PART NO.	CIRCUIT SIZE	LENGTH	JACK SCREW THREAD TYPE	'A' DIM	'B' DIM	'C' DIM	'D' DIM	'E' DIM
79925-0001	18	1000 +/-50MM	4-40 JACKSCREW P/N	.1319/33.51	.950/24.13	1.835/46.62	.490/12.45	.672/17.07
79925-0002		3000 +/-100MM	(STANDARD)					
79925-0003		1000 +/-50MM	M3 JACKSCREW P/N					
79925-0004		3000 +/-100MM	(SPECIAL)					

SEE TABLE FOR THREAD TYPE



NOTES:

1. PLUG MATERIALS:

SHIELD - DEEP DRAWN STEEL  
 HOUSING - GLASS FILLED POLYMER, BLACK, UL 94V-0  
 CONTACTS - COPPER ALLOY, OVERMOLDED WITH GLASS FILLED POLYMER, BLACK, UL 94V-0

2. BACKSHELLS MATERIALS:

BACKSHELL - ZINC ALLOY DIE CAST, FINISH BLACK POLYURETHANE ENAMEL.  
 (NICKLE PLATED BACK SHELLS AVAILABLE. CONTACT PRODUCT MANAGER FOR INFORMATION)

JACKSCREW - STEEL ALLOY, FINISH BLACK OXIDE.  
 MOUNTING SCREW - STEEL ALLOY, FINISH BLACK ZINC PLATING.

3. ELECTRICAL SPECIFICATIONS:

100 OHMS DIFFERENTIAL IMPEDANCE  
 HIGH SPEED DIFFERENTIAL PAIRS  
 INDIVIDUAL PAIR AND OVERALL SHIELDS TO MINIMIZE CROSSTALK AND RADIATED EMISSIONS

4. APPLY LABEL WITH FOLLOWING INFORMATION:

P/N (SEE TABLE)  
 REV (SEE REVISION TABLE)  
 M/D WW/YY  
 ASSEMBLED IN MEXICO

5. WIRING CHART ACCORDING TO TABLE.

WIRING CHART

1 S	10 G
2 S	11 NC
3 NC	12 S
4 G	13 S
5 NC	14 NC
6 S	15 G
7 S	16 NC
8 NC	17 S
9 G	18 S

ITEM	P/N	DESCRIPTION	QTY
5	0799426019	PLASTIC LABEL EPC#R-TW10F	1 PC
3	0751150018	18 CKT TDP PLUG CABLE KIT (4-40/BLK)	2 PC
2	0750001018	TDP Plug Kit w/trimmed tails 18 Ckt	2 PC
1	799232207	CABLE 4 PARALLEL PAIR TURBO/TWIN, 28AWG	A/R

REV	DESCRIPTION	QUALITY SYMBOLS	GENERAL TOLERANCES (UNLESS SPECIFIED)		SCALE	DESIGN UNITS	THIRD ANGLE PROJECTION	REVISE ON CAD ONLY		
			mm	INCH	---	INCH				
A	PRELIMINARY EC NO: MEX2004-0062 DRWN: AOROZCO 2003/12/01 CHKD: GVILLAGR 2003/12/01 APPR: GVILLAGR 2003/12/01		4 PLACES	± --- ± ---	IN/MM	DRAWN BY: AOROZCO DATE: 09/15/2003	TITLE: TDP 100OHMS DIFFERENTIAL CABLE ASSEMBLY 18CKT 1MT 4-40 JACKSCREW	MATERIAL NO. VARIOS	DOCUMENT NO. SD-79925-001	SHEET NO. 1 OF 1
		3 PLACES	± --- ± ---							
			2 PLACES	± --- ± ---		CHECKED BY: AOROZCO DATE: 09/15/2003	MOLEX MOLEX INCORPORATED			
			1 PLACE	± --- ± ---		APPROVED BY: ACUEVAS DATE: 09/15/2003				
			ANGULAR ±1/2°							
			DRAFT WHERE APPLICABLE MUST REMAIN WITHIN DIMENSIONS							
THIS DRAWING CONTAINS INFORMATION THAT IS PROPRIETARY TO MOLEX INCORPORATED AND SHOULD NOT BE USED WITHOUT WRITTEN PERMISSION										