

**PLEASE CHECK WWW.MOLEX.COM FOR LATEST PART INFORMATION**

**Part Number:** **0504467025**  
**Status:** **Active**  
**Description:** Ring Tongue Double Hole Terminal for 300 - 350MCM AWG, Closed Uninsulated Brazed Barrel, Stud Size 1/2" (M12), Oxygen-Free Copper, Length 111.00mm (4.370")

**Documents:**

[Drawing \(PDF\)](#) [RoHS Certificate of Compliance \(PDF\)](#)  
[Product Specification PS-50442-001 \(PDF\)](#)

**General**

Product Family	Ring and Spade Terminals
Series	50446
Crimp Quality Equipment	Yes
Mil-Spec	N/A
Product Name	RD (Double-Hole)
Type	Ring

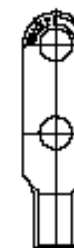
**Physical**

Barrel Type	Closed - Brazed
Insulation	None
Material - Plating Mating	Tin
Packaging Type	Bag
Plating min: Mating (µin)	40
Plating min: Mating (µm)	1
Plating min: Termination (µin)	40
Plating min: Termination (µm)	1
Stud Size	1/2" (M12)
Termination Interface: Style	Crimp or Compression
Wire Size AWG	300MCM, 350MCM
Wire Size mm <sup>2</sup>	152.05 - 192.6

**Material Info**

**Reference - Drawing Numbers**

Product Specification	PS-50442-001
Sales Drawing	SD-50446-001



Series

image - Reference only

**EU RoHS**

**ELV and RoHS Compliant**  
**REACH SVHC**  
 Not Reviewed  
**Halogen-Free Status**  
 Not Reviewed

**China RoHS**



**Need more information on product environmental compliance?**

Email [productcompliance@molex.com](mailto:productcompliance@molex.com)  
 For a multiple part number RoHS Certificate of Compliance, [click here](#)

Please visit the [Contact Us](#) section for any non-product compliance questions.

**Search Parts in this Series**

50446Series

**Application Tooling | FAQ**

*Tooling specifications and manuals are found by selecting the products below. Crimp Height Specifications are then contained in the Application Tooling Specification document.*

**Japan**

Description	Product #
Tool Kit For	<a href="#">0573439001</a>
57343-9012	

10 9 8 7 6 5 4 3 2 1

F

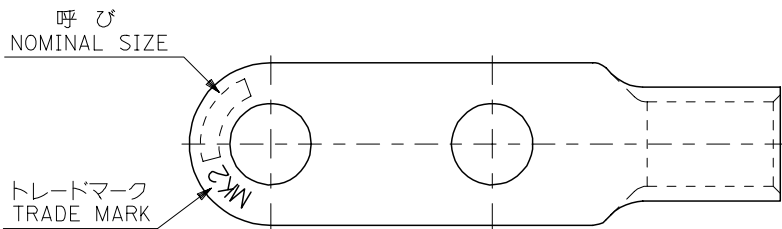
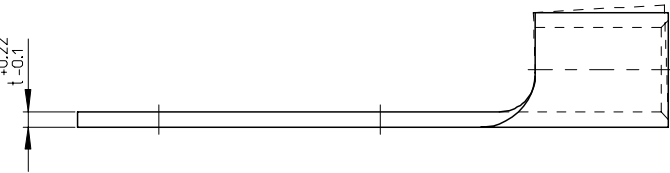
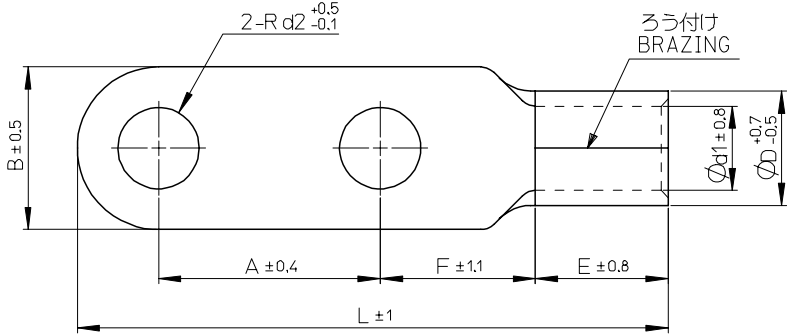
E

D

C

B

A



注記 NOTES

- 1 材質 MATERIAL  
 端子: 無酸素銅、錫めっき  
 TERMINAL: OXYGEN-FREE COPPER, TIN PLATING  
 ろう付け部: 銀ろう  
 PART OF BRAZING: SILVER BRAZING FILLER METALS
- 2. 適用電線 APPLICABLE WIRE RANGE

単線 SOLID WIRE	撚線 STRANDED WIRE
13.8 ~ 15.6 mm	152.05 ~ 192.6 mm <sup>2</sup>

3.5	---	108.8	---	28.5	---	21	28.5	38.5	RD180	X	50446-7225
	16		21.05		40					14	50446-7125
	14									12	50446-7025
t	Ød2	L	F	E	A	Ød1	ØD	B	呼び NOMINAL SIZE	呼び NOMINAL SIZE	ENG. NO.

RELEASED EC NO: J2007-0312 DRW: H.YAJIMA 2007/05/17 CHK: K.KASAHARA 2007/05/18 APPR: N.UKITA 2007/05/18	GENERAL TOLERANCES (UNLESS SPECIFIED)		DIMENSION STYLE MM ONLY		SCALE ---	DESIGN UNITS METRIC	THIRD ANGLE PROJECTION		
	10 UNDER	± ---	DRAWN BY H. YAJIMA		DATE '06/08/24		TITLE RING TERMINAL		
	10 OVER 30 UNDER	± ---	CHECKED BY K. KASAHARA		DATE '06/08/24		MOLEX INCORPORATED		
	30 OVER	± ---	APPROVED BY N. UKITA		DATE '06/08/24				
0	ANGULAR	± --- °	MATERIAL NO.		DOCUMENT NO.		SHEET NO.		
	DRAFT WHERE APPLICABLE MUST REMAIN WITHIN DIMENSIONS		SEE CHART		SD-50446-001		1 OF 1		
	THIS DRAWING CONTAINS INFORMATION THAT IS PROPRIETARY TO MOLEX INCORPORATED AND SHOULD NOT BE USED WITHOUT WRITTEN PERMISSION								