

PLEASE CHECK WWW.MOLEX.COM FOR LATEST PART INFORMATION

Part Number: [0190670071](#)
Status: **Active**
Description: NylaKrimp™ Funnel Entry Ring Tongue Terminal for 6 AWG Wire, Stud #6

Documents:

[Drawing \(PDF\)](#) [RoHS Certificate of Compliance \(PDF\)](#)

Agency Certification

CSA LR18689
 UL E32244

General

Product Family Ring and Spade Terminals
 Series [19067](#)
 Comments Type II Insulated; Class 2
 Crimp Quality Equipment Yes
 Mil-Spec AS25036-120, MS25036-120
 Product Name NylaKrimp™
 Type Ring

Physical

Barrel Type Closed - Brazed
 Flammability 94V-0
 Insulation Nylon (PA)
 Material - Plating Mating Tin
 Packaging Type Bag
 Plating min: Mating (µin) 100
 Plating min: Mating (µm) 2.5
 Plating min: Termination (µin) 100
 Plating min: Termination (µm) 2.5
 Stud Size 1/4" (M6)
 Termination Interface: Style Crimp or Compression
 Wire Insulation Diameter 10.87mm (.428") max.
 Wire Size AWG 6

Material Info

Old Part Number E-960-14

Reference - Drawing Numbers

Sales Drawing SD-19067-016

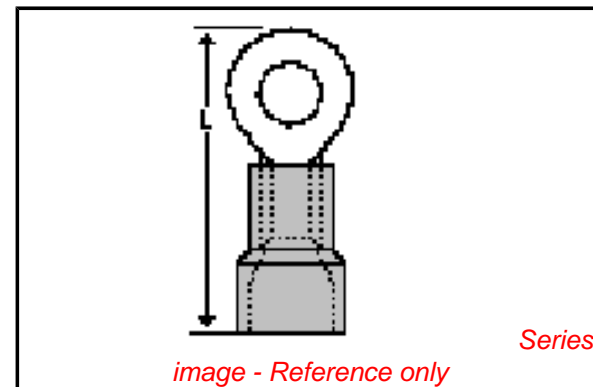


image - Reference only

EU RoHS

**ELV and RoHS
 Compliant**

REACH SVHC

**Contains SVHC: No
 Halogen-Free**

Status

Not Reviewed

China RoHS



**Need more information on product
 environmental compliance?**

Email productcompliance@molex.com
 For a multiple part number RoHS Certificate of
 Compliance, [click here](#)

Please visit the [Contact Us](#) section for any
 non-product compliance questions.

Search Parts in this Series

[19067Series](#)

Application Tooling | [FAQ](#)

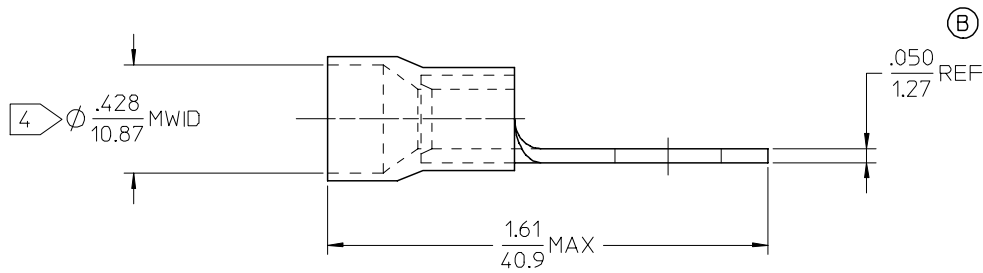
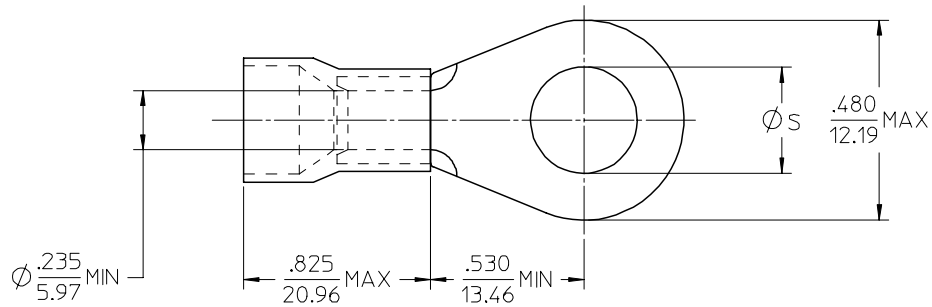
*Tooling specifications and manuals are
 found by selecting the products below.
 Crimp Height Specifications are then
 contained in the Application Tooling
 Specification document.*

Global

Description	Product #
Manual Putt Pump Hydraulic System, Die set required	0192860117
Die Set (large) for the HHLS Hydraulic Crimper	0192890004
Putt Pump Dieless Head System	0192860065
Hand Crimp Tool	0640013900

PLEASE CHECK WWW.MOLEX.COM FOR LATEST PART INFORMATION

MATERIAL NO.	ENG. NO.	STUD SIZE	$\phi S \pm .005/0.13$
190670067	E-960-08	8	.173/4.39
190670069	E-960-10	10	.198/5.03
190670071	E-960-14	1/4	.265/6.73
190670073	E-960-56	5/16	.328/8.33



NOTE(S):

1. TERMINAL MATERIAL: COPPER ALLOY.
2. TERMINAL FINISH: ELECTRO TIN PLATE.
3. INSULATION MATERIAL: NYLON, COLOR CODED BLUE.

\square MWID = MAXIMUM WIRE INSULATION DIAMETER.

\textcircled{B} 5. ALL COMPONENTS ARE ROHS COMPLIANT.

REV	DESCRIPTION	QUALITY SYMBOLS	GENERAL TOLERANCES (UNLESS SPECIFIED)		DIMENSION STYLE	SCALE	DESIGN UNITS	THIRD ANGLE PROJECTION
			mm	INCH	IN/MM	4:1	INCH	
B	REDWN & RDC MATL THKNS EC NO: ETC2007-0158 DRW: NEHLE 2006/10/20 CHKD: JMACNEIL 2006/10/20 APPR: JMACNEIL 2006/10/20	$\nabla=0$ $\nabla=0$	4 PLACES	\pm ----	\pm ----	DRAWN BY EHILE	DATE 2006/10/16	TITLE RING TONGUE TERMINAL, FUNNEL ENTRY, 6 AWG, NYLAKRIMP
			3 PLACES	\pm ----	\pm ----	CHECKED BY JMACNEIL	DATE 2006/10/16	
			2 PLACES	\pm ----	\pm ----	APPROVED BY JMACNEIL	DATE 2006/10/16	MOLEX INCORPORATED
			1 PLACE	\pm ----	\pm ----	MATERIAL NO. SEE CHART	DOCUMENT NO. SD-19067-016	
			DRAFT WHERE APPLICABLE MUST REMAIN WITHIN DIMENSIONS		ANGULAR	THIS DRAWING CONTAINS INFORMATION THAT IS PROPRIETARY TO MOLEX INCORPORATED AND SHOULD NOT BE USED WITHOUT WRITTEN PERMISSION		SHEET NO. 1 OF 1