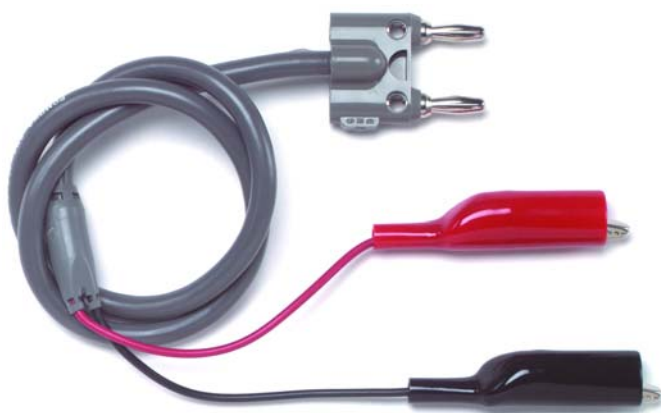
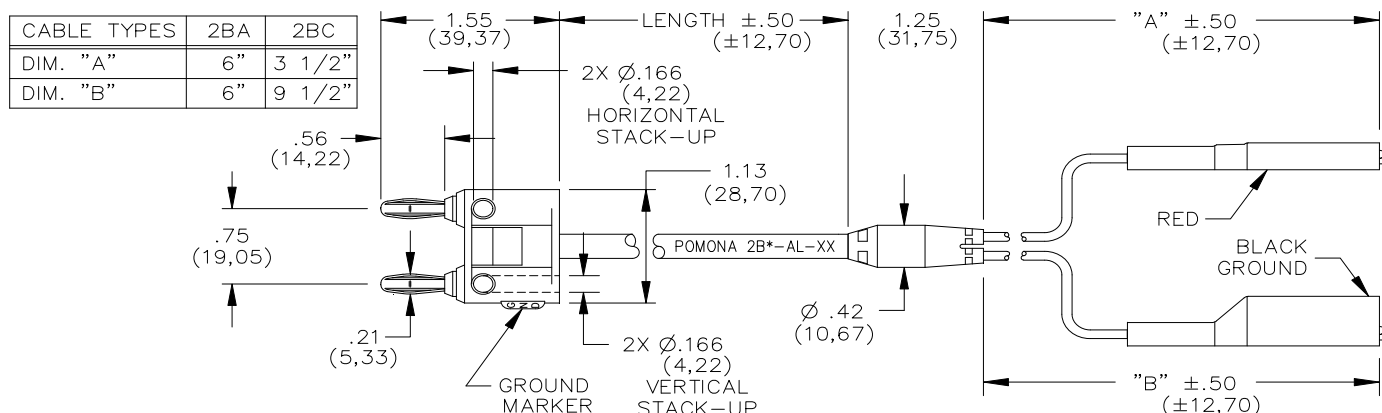


**Model 2BA-AL & 2BC-AL**  
**Double Banana Plug to Alligator Clip Breakouts Cable Assembly**



**Model 2BA-AL**  
**Double Banana Plug to Alligator Clip**  
**Breakouts Cable Assembly**

**(Model 2BC-AL: Double Banana Plug, Cable, and**  
**Molded Breakout is in Black)**

**Materials**

**Double Banana Plug:**

- Plug Bodies:* Brass, Nickel Plated
- Springs:* Beryllium Copper, Nickel Plated
- Insulation:* Polypropylene molded to the plug bodies and cable. Color matches color of cable.

**Marking:** POMONA ELECTRONICS CO., INC.  
POMONA CALIFORNIA

**Cable:**

**2BA:** 2 Cond. Twisted Pair, 18 AWG, 65 x 36 t.c., .250 (6.4) O.D., Marking: POMONA 2BA-AL-XX, Color: Gray.

**2BC:** RG-58C/U, .195 (5.0) O.D., Marking: POMONA 2BC-AL-XX, Color: Black.

**Molded Breakout:** PVC Insulated molded to breakout leads and cable. Color matches color of cable.

**Breakout Leads:** 20 AWG, 41 x 36 t.c., PVC Insulated, .087 (2.21) O.D., Color matches color of insulator.

**Insulated Alligator Clips:**

- Body:* Steel, Nickel Plated
- Insulator:* Vinyl. Color: One Black and One Red.

**Ordering Information**

Model 2B\*-AL-XX

\* = Cable Type: 2BA: 2 Cond. Twisted Pair  
2BC: RG58C/U

XX = Cable Lengths

2BA: Std. Lengths: 36" (91.44cm), 48" (121.92cm)

2BC: Std. Lengths: 36" (91.44cm), 60" (152.4cm)

**Ordering Example:** 2BA-AL-48, cable is 2 Cond. Twisted Pair in 48" length.

Additional lengths can be quoted upon request.

**Ratings**

**Operating Voltage:**

- Maximum voltage for *hands free use:* 150 Vrms
- For *CE Compliance* and for personal safety, do not hold in hand when voltages exceed 33 Vrms/70 Vdc.
- Do no use on circuits where transient stresses can exceed the rated voltage.

**Operating Temperature:** +122°F (+50°C) Max.

**Current:** 5 Amperes

**USA:** Sales: 800-490-2361  
Technical Support: [technicalsupport@pomonatest.com](mailto:technicalsupport@pomonatest.com)  
Fax: 425-446-5844

**Europe:** 31-(0) 40 2675 150 **International:** 425-446-5500

**Where to Buy:** [www.pomonaelectronics.com](http://www.pomonaelectronics.com)

All dimensions are in inches. Tolerances (except noted): .xx = ±.02" (.51 mm), .xxx = ±.005" (.127 mm). All specifications are to the latest revisions. Specifications are subject to change without notice. Registered trademarks are the property of their respective companies.