

**PLEASE CHECK WWW.MOLEX.COM FOR LATEST PART INFORMATION**

**Part Number:** [0799250006](#)  
**Status:** **Active**  
**Overview:** [tdp triad differential pair](#)  
**Description:** TDP® (Triad® Differential Pair) Cable Assembly, 28 Circuit, 3.00m (9.842' ) Length, 4-40 Jackscrew

**Documents:**

[Drawing \(PDF\)](#) [RoHS Certificate of Compliance \(PDF\)](#)

**General**

Product Family	Cable Assemblies
Series	<a href="#">79925</a>
Connector to Connector	TDP®-to-TDP®
Overview	<a href="#">tdp triad differential pair</a>
Product Name	TDP®

**Physical**

Cable Length	3.0m (9.84' )
Circuits (Loaded)	28
Color - Resin	Black
Gender	Male-Male
Lock to Mating Part	Yes
Material - Metal	Phosphor Bronze
Material - Plating Mating	Gold
Material - Plating Termination	Tin
Material - Resin	High Temperature Thermoplastic
Packaging Type	Bag
Pitch - Mating Interface (in)	0.050 In
Pitch - Mating Interface (mm)	1.27 mm
Plating min: Mating (µin)	75
Plating min: Mating (µm)	1.875
Plating min: Termination (µin)	100
Plating min: Termination (µm)	2.5
Single Ended	No
Termination Interface: Style	Through Hole
Wire Insulation Diameter	N/A
Wire Size AWG	28
Wire/Cable Type	Round

**Electrical**

Current - Maximum per Contact	1.5A
Shielded	Yes
Voltage - Maximum	40V

**Material Info**

**Reference - Drawing Numbers**

Sales Drawing	SD-79925-006
---------------	--------------



Series

*image - Reference only*

**EU RoHS**

**ELV and RoHS Compliant**  
**REACH SVHC**  
 Not Reviewed  
**Halogen-Free**  
**Status**  
**Not Reviewed**

**China RoHS**



**Need more information on product environmental compliance?**

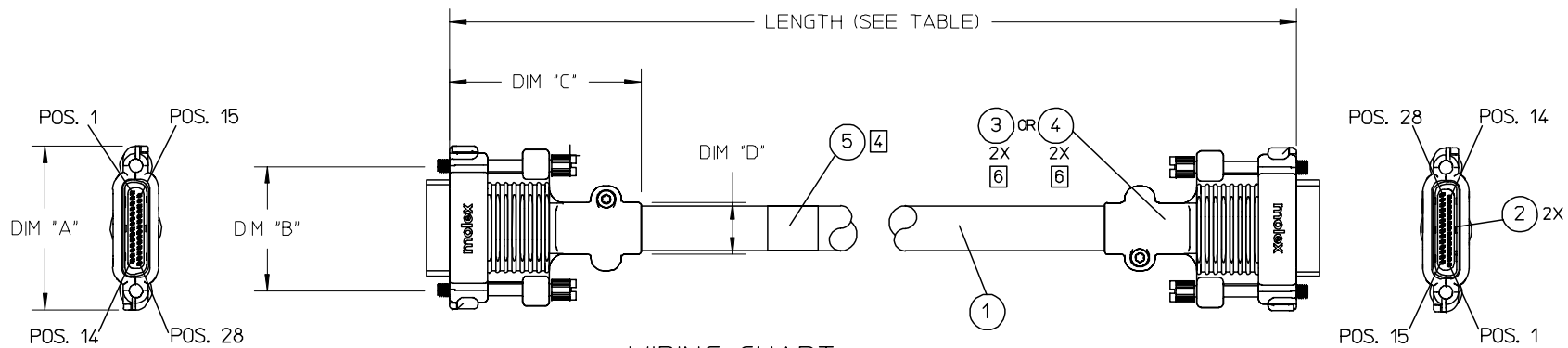
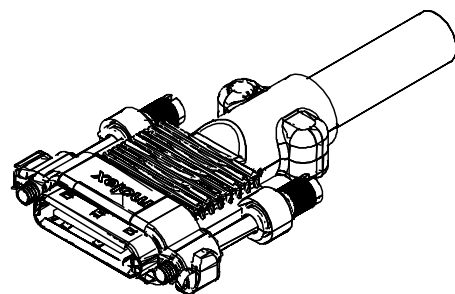
Email [productcompliance@molex.com](mailto:productcompliance@molex.com)  
 For a multiple part number RoHS Certificate of Compliance, [click here](#)

Please visit the [Contact Us](#) section for any non-product compliance questions.

**Search Parts in this Series**

[79925Series](#)

PART NO.	CIRCUIT SIZE	LENGTH	JACK SCREW THREAD TYPE	"A" DIM'	"B" DIM'	"C" DIM'	"D" DIM'
79925-0005	28	1000 +/-50MM	4-40 JACKSCREW P/N	1.569/39.86	1.200/30.48	1.835/46.62	.490/12.45
79925-0006		3000 +/-100MM	(STANDARD) 6				
79925-0007		1000 +/-50MM	M3 JACKSCREW P/N				
79925-0008		3000 +/-100MM	(SPECIAL) 6				



WIRING CHART

1 S	15 G
2 S	16 NC
3 NC	17 S
4 G	18 S
5 NC	19 NC
6 S	20 G
7 S	21 NC
8 NC	22 S
9 G	23 S
10 NC	24 NC
11 S	25 G
12 S	26 NC
13 NC	27 S
14 G	28 S

- NOTES:
- PLUG MATERIALS:  
SHIELD - DEEP DRAWN STEEL  
HOUSING - GLASS FILLED POLYMER, BLACK, UL 94V-0  
CONTACTS - COPPER ALLOY, OVERMOLDED WITH GLASS FILLED POLYMER, BLACK, UL 94V-0
  - BACKSHELLS MATERIALS:  
BACKSHELL - ZINC ALLOY DIE CAST, FINISH BLACK POLYURETHANE ENAMEL.  
JACKSCREW - STEEL ALLOY, FINISH BLACK OXIDE.  
MOUNTING SCREW - STEEL ALLOY, FINISH BLACK ZINC PLATING.
  - ELECTRICAL SPECIFICATIONS:  
100 OHMS DIFFERENTIAL IMPEDANCE  
HIGH SPEED DIFFERENTIAL PAIRS  
INDIVIDUAL PAIR AND OVERALL SHIELDS TO MINIMIZE CROSSTALK AND RADIATED EMISSIONS

ROHS

ITEM	P/N	DESCRIPTION	QTY
5	0799426019	PLASTIC LABEL EPC#R-TW10F	1 PC
4	0751151028	28 CKT TDP PLUG CABLE KIT (M3/BLK)	2 PC
3	0751150028	28 CKT TDP PLUG CABLE KIT (4-40/BLK)	2 PC
2	0750001028	TDP 28 Ckt Plug Asy w/o Carrier Strip	2 PC
1	0711537021	28 awg 4x Infiniband Const. 100 ohm Cble	A/R

- 4] APPLY LABEL WITH FOLLOWING INFORMATION:  
P/N (SEE TABLE)  
REV (SEE REVISION TABLE)  
M/D WW/YY  
ASSEMBLED IN MEXICO
5. PIN CONNECTION IS 1 TO 1 ACCORDING TO TABLE.  
6] USE ITEM 3 FOR 799250006 & 799250007; USE ITEM 4 FOR 799250008 & 799250009

RELEASED EC NO: MEX2007-0144 DRWN: AOROZCO 2007/05/30 CHKD: ACUEVAS 2007/05/30 APPR: ACUEVAS 2007/05/30 A	DESCRIPTION TDP 100 OHM DIFFERENTIAL CABLE ASSEMBLY 28CKT M3 & 4-40 JACKSCREW	QUALITY SYMBOLS ▽=0 ▽=0	GENERAL TOLERANCES (UNLESS SPECIFIED) mm INCH 4 PLACES ± --- ± --- 3 PLACES ± --- ± .010 2 PLACES ± 0.25 ± --- 1 PLACE ± --- ± --- ANGULAR ± 1/2°	DIMENSION STYLE IN/MM DRAWN BY DATE AOROZCO 09/15/2003 CHECKED BY DATE AOROZCO 09/15/2003 APPROVED BY DATE ACUEVAS 09/15/2003	SCALE --- DESIGN UNITS INCH THIRD ANGLE PROJECTION
		DRAFT WHERE APPLICABLE MUST REMAIN WITHIN DIMENSIONS		MATERIAL NO. VARIOS SIZE A	TITLE TDP 100 OHM DIFFERENTIAL CABLE ASSEMBLY 28CKT M3 & 4-40 JACKSCREW MOLEX INCORPORATED DOCUMENT NO. SD-79925-006 SHEET NO. 1 OF 1
		THIS DRAWING CONTAINS INFORMATION THAT IS PROPRIETARY TO MOLEX INCORPORATED AND SHOULD NOT BE USED WITHOUT WRITTEN PERMISSION			