

BAV19~BAV21

SWITCHING DIODES

VOLTAGE 120~250 Volts **POWER** 500 mWatts

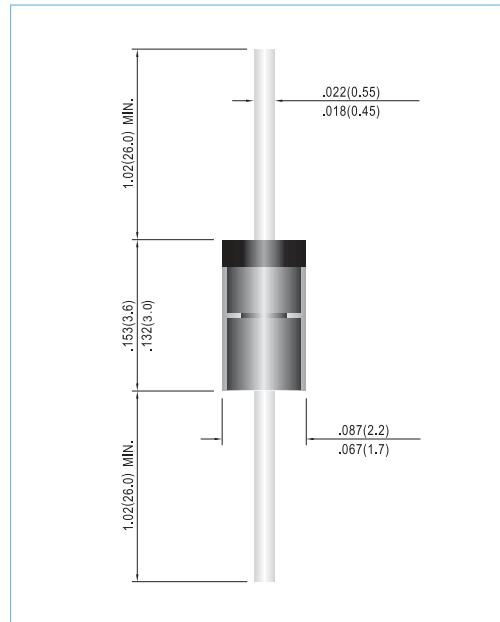
DO-35 Unit: inch (mm)

FEATURES

- Fast switching Speed.
- Electrically Identical to Standard JEDEC
- High Conductance
- Axial lead Package Ideally Suited for Automatic Insertion.
- In compliance with EU RoHS 2002/95/EC directives

MECHANICAL DATA

- Case: Molded Glass DO-35
- Terminals: Solderable per MIL-STD-750, Method 2026
- Polarity: See Diagram Below
- Approx. Weight: 0.13 grams
- Mounting Position: Any
- Ordering information: Suffix : " -35 " to order DO-35 Package
- Packing information
 - B - 2K per Bulk box
 - T/R - 10K per 13" plastic Reel
 - T/B - 5K per horiz. tape & Ammo box



MAXIMUM RATINGS AND ELECTRICAL CHARACTERISTICS (T_J=25°C unless otherwise noted)

PARAMETER	SYMBOL	BAV19	BAV20	BAV21	UNITS
Reverse Voltage	V _R	100	150	200	V
Peak Reverse Voltage	V _{RM}	120	200	250	V
Rectified Current (Average), Half Wave Rectification with Resistive Load and f _z ≥50Hz	I _{F(AV)}	200			mA
Peak Forward Surge Current, 1.0s	I _{F(SM)}	1.0			A
Power Dissipation Derate Above 25°C	P _{tot}	500			mW
Maximum Forward Voltage at 0.1A	V _F	1.0			V
Maximum DC Reverse Current at Rated DC Blocking Voltage T _J =25°C	I _R	0.1			μA
Typical Junction Capacitance(Notes1)	C _J	3.0			pF
Maximum Reverse Recovery (Notes2)	t _{rr}	50			ns
Typical Thermal Resistance	R _{θJA}	350			°C / W
Operating Junction and Storage Temperature Range	T _J , T _{STG}	-55 to +150			°C

NOTE:

1. C_J at V_R=0, f=1MHZ
2. From I_F=30mA to I_R=-3mA, V_R=6Volts, R_L=100Ω

BAV19~BAV21

RATING AND CHARACTERISTIC CURVES

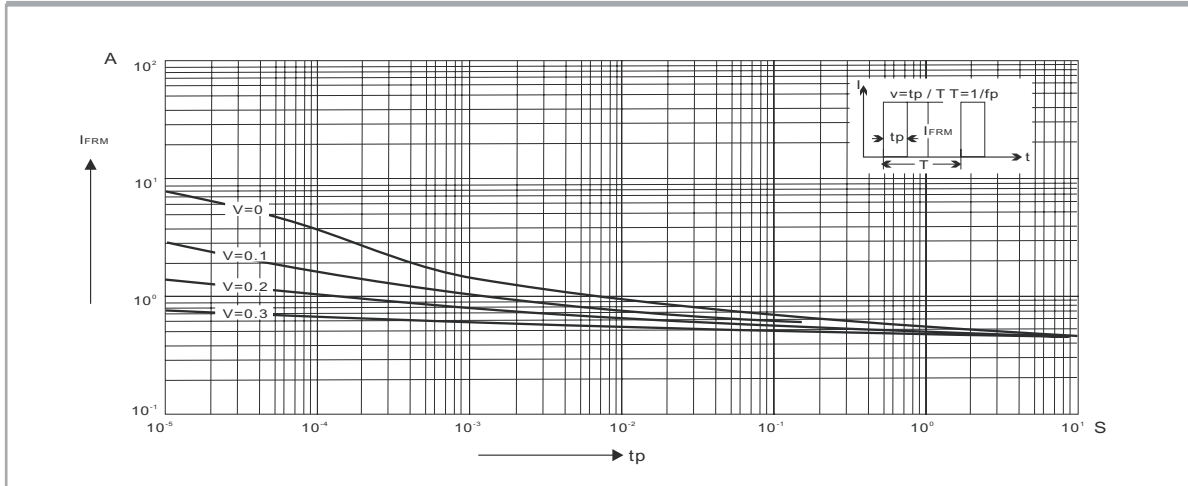


Fig. 1 ADMISSIBLE REPETITIVE PEAK FORWARD CURRENT VERSUS PULSE DURATION

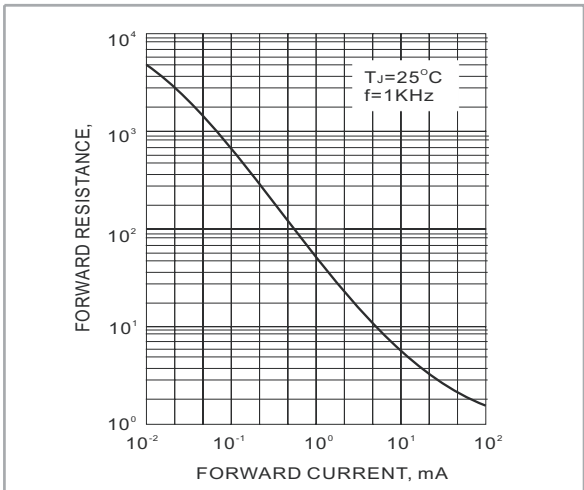


Fig. 2-DYNAMIC FORWARD RESISTANCE VERSUS FORWARD CURRENT

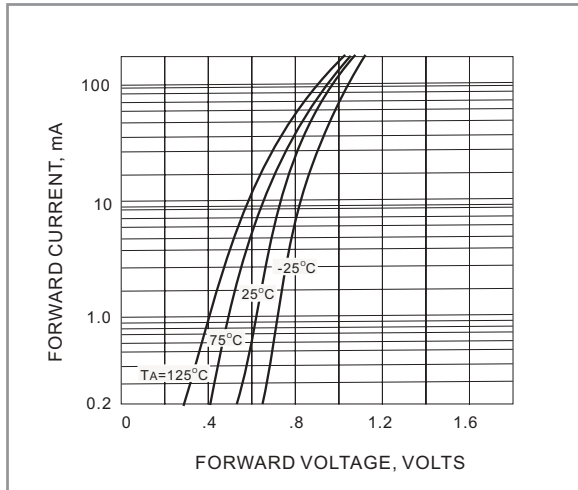


Fig. 2 FORWARD CHARACTERISTICS

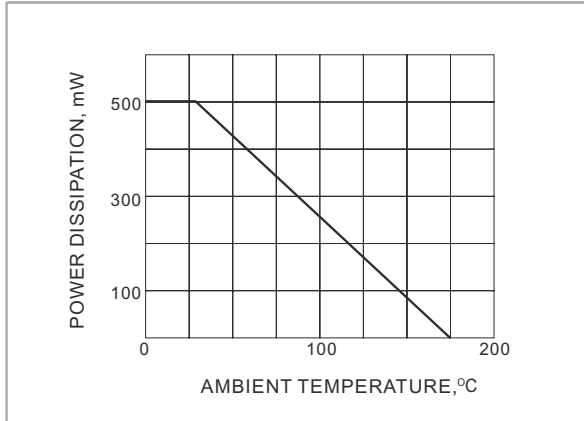


Fig. 4 DERATING CURVE

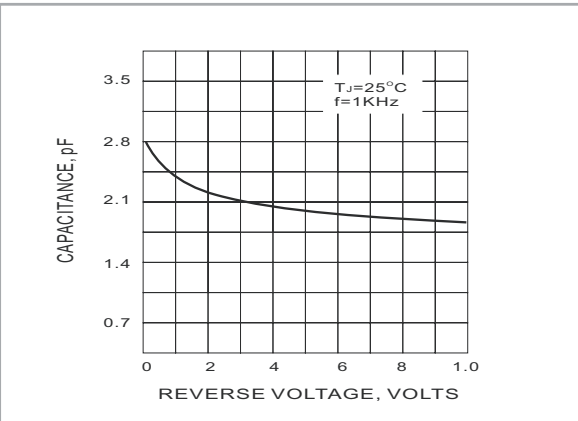


Fig. 5 TYPICAL JUNCTION CAPACITANCE