

BAV301~BAV303

HIGH VOLTAGE SURFACE MOUNT SWITCHING DIODES

VOLTAGE 120 to 250 Volts **POWER** 300 mWatts

MICRO-MELF Unit : inch (mm)

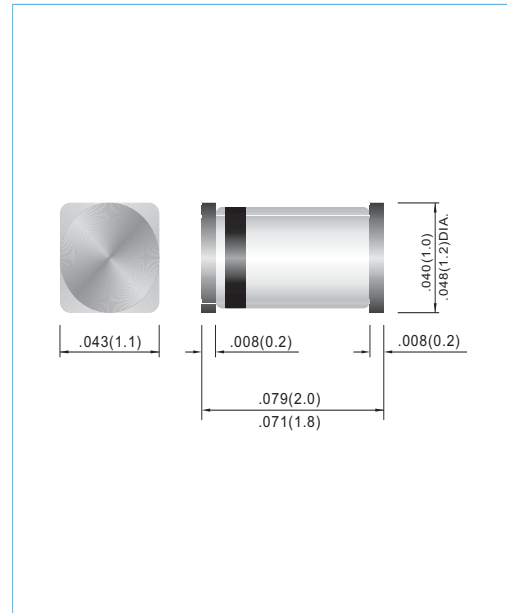
FEATURES

- Fast switching Speed.
- Surface Mount Package Ideally Suited For Automatic Insertion.
- Silicon Epitaxial Planar Construction.
- In compliance with EU RoHS 2002/95/EC directives

MECHANICAL DATA

- Case: Micro Melf, Glass
- Terminals: Solderable per MIL-STD-202E, Method 208
- Polarity: Cathode Band
- Marking: Cathode Band Only
- Weight: 0.01 grams
- Packing information

T/R - 2.5K per 7" plastic Reel



MAXIMUM RATINGS AND ELECTRICAL CHARACTERISTICS (T_J=25°C unless otherwise noted)

PARAMETER	SYMBOL	BAV301	BAV302	BAV303	UNITS
Reverse Voltage	V _R	100	150	200	V
Peak Reverse Voltage	V _{RRM}	120	200	250	V
Rectified Current (Average), Half Wave Rectification with Resistive Load and f >=50 Hz	I _O	200			mA
Peak Forward Surge Current, t=1000ms	I _{FSM}	1.0			A
Power Dissipation Derate Above at 25°C	P _D	300			mW
Maximum Forward Voltage, I _F = 100mA	V _F	1.0			V
Maximum DC Reverse Current at Rated DC Blocking Voltage T _J = 25°C	I _R	0.1			μA
Typical Junction Capacitance(Note 1)	C _J	3.0			pF
Maximum Reverse Recovery (Note 2)	t _{rr}	75			ns
Typical Thermal Resistance	R _{θJA}	350			°C / W
Operation Junction Storage Temperature Range	T _{STG}	-65 to +175			°C

NOTE:

1. C_J at V_R=0, f=1MHZ
2. From I_F=10mA to I_R=-1mA, V_R=6Volts, R_L=100Ω

BAV301~BAV303

RATING AND CHARACTERISTIC CURVES

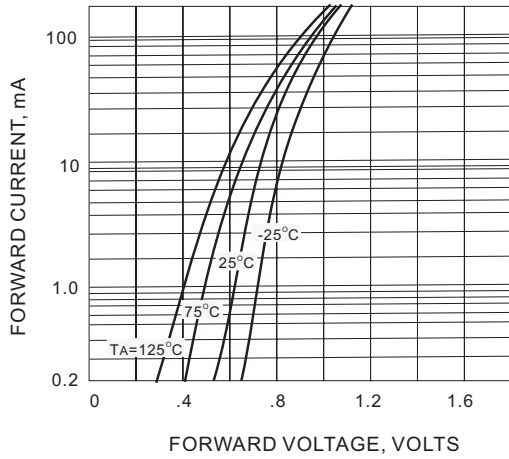


Fig. 1 FORWARD CHARACTERISTICS

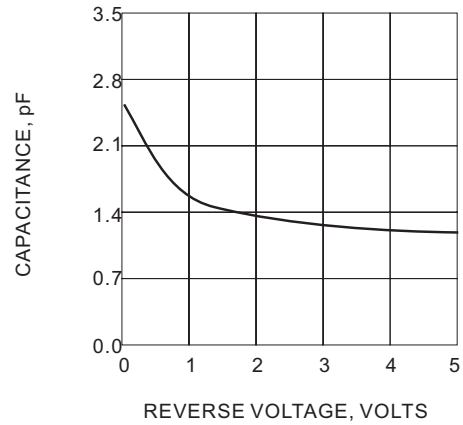


Fig.2 TYPICAL CAPACITANCE vs REVERSE VOLATGE

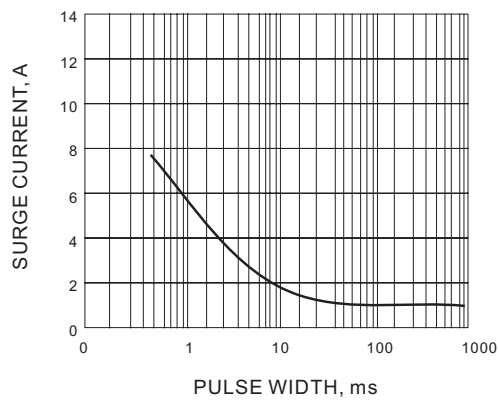
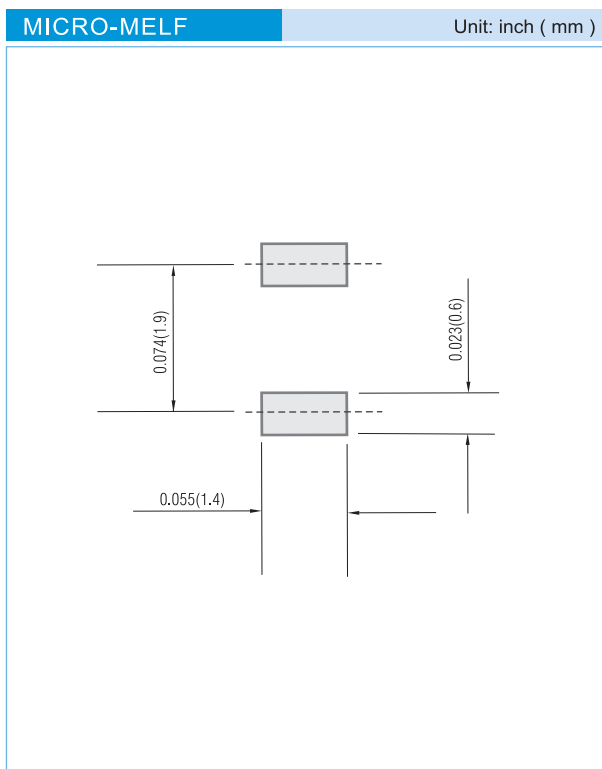


Fig.3 SURGE CURRENT CHARACTERISTIC



BAV301~BAV303

MOUNTING PAD LAYOUT



ORDER INFORMATION

- Packing information

T/R - 10K per 13" plastic Reel

T/R - 2.5K per 7" plastic Reel

LEGAL STATEMENT

Copyright PanJit International, Inc 2009

The information presented in this document is believed to be accurate and reliable. The specifications and information herein are subject to change without notice. Pan Jit makes no warranty, representation or guarantee regarding the suitability of its products for any particular purpose. Pan Jit products are not authorized for use in life support devices or systems. Pan Jit does not convey any license under its patent rights or rights of others.