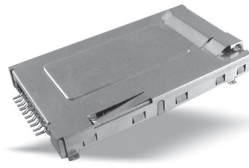


Series JCS Memory Stick Duo / Memory Stick (2-in-1)

Card Connectors

Features

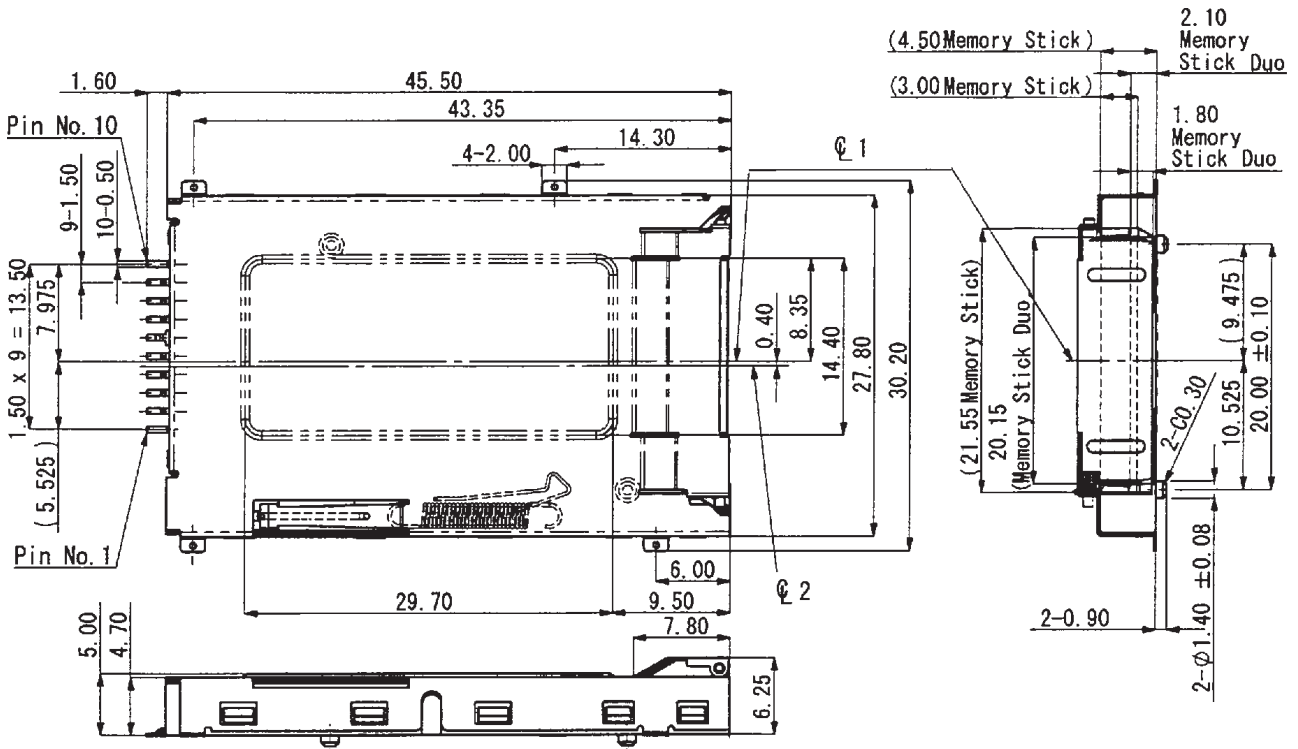
- With shutter
- Push / Push ejector mechanism
- Card break
- Both card types (MS Duo / MS) are inserted into the same slot



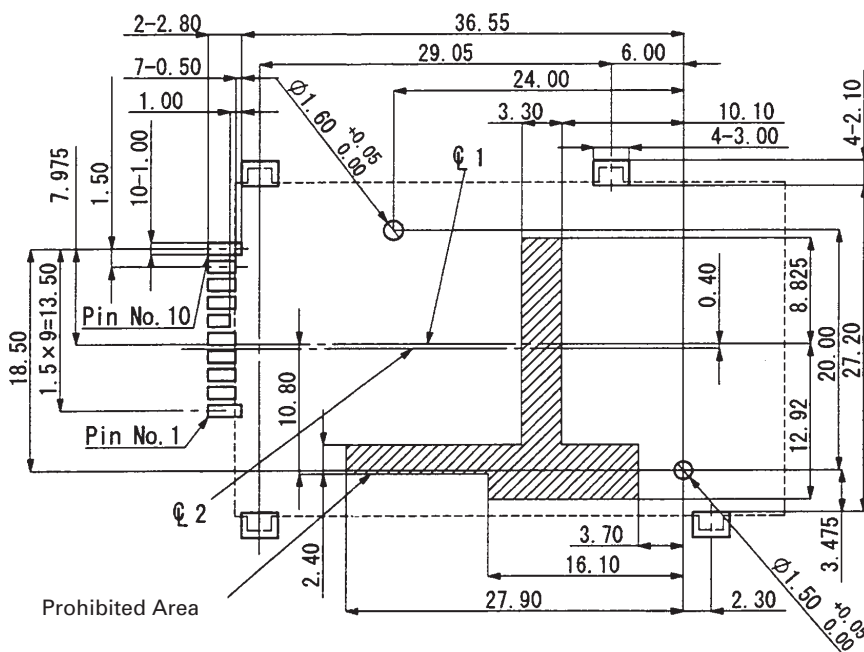
Part Number (Details)

JCS010-2001-1

Outline Dimensions Push / Push Type



Recommended PCB Layout and Mounting Area



SmartMedia - SSFDC