

PLEASE CHECK WWW.MOLEX.COM FOR LATEST PART INFORMATION

Part Number: **0191540004**
Status: **Active**
Description: InsulKrimp™ Butt Splice for 18-22 AWG Wire

Documents:

[Drawing \(PDF\)](#) [Product Specification PS-19902-007 \(PDF\)](#)
[Packaging Specification \(PDF\)](#) [RoHS Certificate of Compliance \(PDF\)](#)

Agency Certification

CSA LR18689
 UL E32244

General

Product Family Splices
 Series 19154
 Crimp Quality Equipment Yes
 Mil-Spec N/A
 MolexKits Yes
 Product Name Butt, InsulKrimp™

Physical

Barrel Type Closed
 Color - Resin Natural
 Flammability 94V-0
 Insulation PVC
 Material - Metal Copper
 Material - Resin PVC
 Packaging Type Bag
 Temperature Range - Operating -40°C to +105°C
 Wire Insulation Diameter 3.68mm (.145") max
 Wire Size AWG 18, 20, 22
 Wire Size mm² 0.25 - 1.50

Electrical

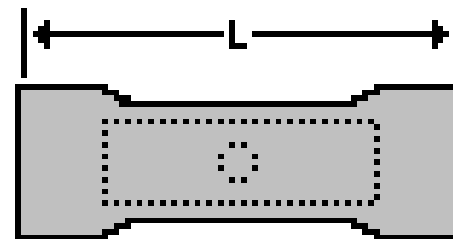
Voltage - Maximum 600V

Material Info

Old Part Number A-245X

Reference - Drawing Numbers

Product Specification PS-19902-007
 Sales Drawing SD-19154-006



Series

image - Reference only

EU RoHS

**ELV and RoHS
Compliant**

REACH SVHC

Not Reviewed

Halogen-Free

Status

Not Reviewed

China RoHS



**Need more information on product
environmental compliance?**

Email productcompliance@molex.com
 For a multiple part number RoHS Certificate of
 Compliance, [click here](#)

Please visit the [Contact Us](#) section for any
 non-product compliance questions.

Search Parts in this Series

19154Series

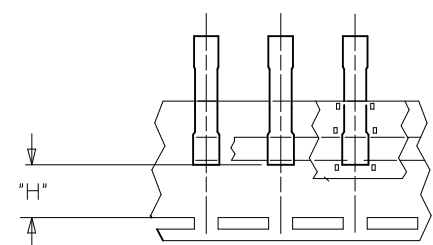
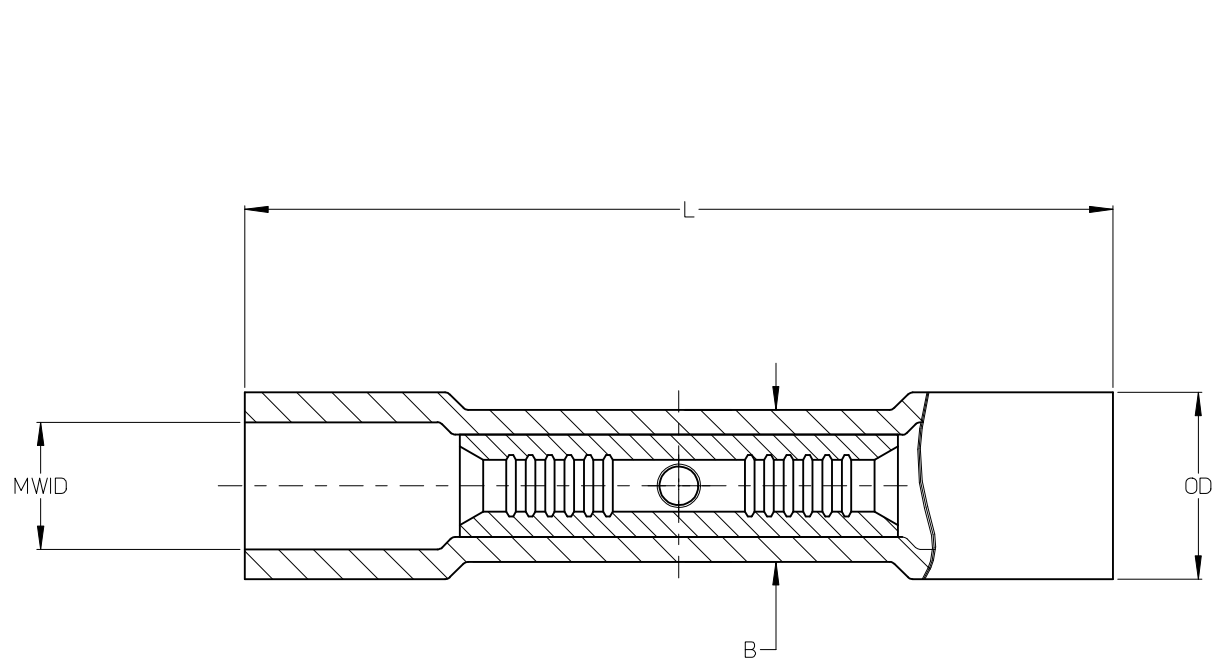
Application Tooling | FAQ

*Tooling specifications and manuals are
 found by selecting the products below.
 Crimp Height Specifications are then
 contained in the Application Tooling
 Specification document.*

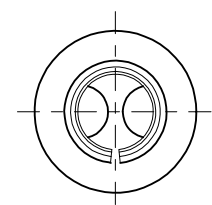
Global

Description	Product #
Hand Crimp Tool	0640010100
Hand Crimp Tool	0640010300
Crimp Head for the AT-200™ Pneumatic Hand Tool	0640050100
Crimp Head for the AT-200™ Pneumatic Hand Tool	0640050300

LOOSE PIECE		TAPE MOUNTED		DIMENSIONS						COLOR
MATERIAL NO.	ENGINEERING P/N	MATERIAL NO.	ENGINEERING P/N	MWID	OD (MAX)	L (MAX)	B (MAX)	ID (MIN)	H (NOM)	
191540004	A-245X	191540006	A-245XT	.150/3.81	.24/6.1	.97/24.6	.20/5.1	.060/1.52	.49/12.4	RED
191540015	B-231X	191540017	B-231XT	.175/4.45	.27/6.9	.98/24.9	.24/6.1	.080/2.03	.49/12.4	BLUE
191540028	C-246X	191540030	C-246XT	.260/6.60	.36/9.2	1.14/29.0	.30/7.6	.125/3.17	.43/10.9	YELLOW



TAPE MOUNTED PARTS



- NOTES:
1. MATERIALS: PVC INSULATION OVER TIN-PLATED COPPER SPLICE.
 2. COLOR: SEE CHART.
 2. MWID = MAXIMUM WIRE INSULATION DIAMETER
 3. PARTS ARE ROHS COMPLIANT.

REDRAW EC NO: WNA2009-0865 DRN: ETHRODAHL 2009/07/09 CHKD: JMACNEIL 2009/07/09 APPR: JMACNEIL 2009/07/09	DESCRIPTION A	QUALITY SYMBOLS	GENERAL TOLERANCES (UNLESS SPECIFIED)	DIMENSION STYLE	SCALE	DESIGN UNITS	THIRD ANGLE PROJECTION	
		$\nabla=0$ $\nabla 7=0$	mm INCH 4 PLACES ± --- ± --- 3 PLACES ± --- ± .005 2 PLACES ± 0.13 ± .01 1 PLACE ± 0.25 ± --- ANGULAR ± 1/2°	IN/MM DRAWN BY DATE ETHRODAHL 2009/06/23 CHECKED BY DATE JMACNEIL 2009/06/24 APPROVED BY DATE JMACNEIL 2009/06/24	1:1	INCH	THIRD ANGLE PROJECTION BUTT SPLICE CONNECTOR, INSULKRIMP	
		DRAFT WHERE APPLICABLE MUST REMAIN WITHIN DIMENSIONS	SEE CHART	MOLEX INCORPORATED DOCUMENT NO. SD-19154-006	SHEET NO. 1 OF 1			
		THIS DRAWING CONTAINS INFORMATION THAT IS PROPRIETARY TO MOLEX INCORPORATED AND SHOULD NOT BE USED WITHOUT WRITTEN PERMISSION						
		MATERIAL NO.						