

PLEASE CHECK WWW.MOLEX.COM FOR LATEST PART INFORMATION

Part Number: [0873401676](#)
Status: **Active**
Description: 2.00mm (.079") Pitch Milli-Grid™ Receptacle, Surface Mount (Very Low Profile), Top Entry, without Locating Pegs, with Pick-and-Place Cap, 0.38µm (15µ") Gold (Au) Plating, 16 Circuits, Lead-free, Embossed Tape on Reel

Documents:

[3D Model](#)
[Drawing \(PDF\)](#)

[RoHS Certificate of Compliance \(PDF\)](#)

Agency Certification

CSA LR19980
 UL E29179

General

Product Family PCB Receptacles
 Series [87340](#)
 Application Board-to-Board
 Product Name Milli-Grid™

Physical

Circuits (Loaded) 16
 Durability (mating cycles max) 25
 Flammability 94V-0
 Glow-Wire Compliant No
 Lock to Mating Part Yes
 Material - Metal Phosphor Bronze
 Material - Plating Mating Gold
 Material - Plating Termination Tin
 Number of Rows 2
 Orientation Vertical
 PCB Locator No
 PCB Retention None
 Packaging Type Embossed Tape on Reel
 Pitch - Mating Interface (in) 0.079 In
 Pitch - Mating Interface (mm) 2.00 mm
 Plating min: Mating (µin) 15
 Plating min: Mating (µm) 0.38
 Plating min: Termination (µin) 75
 Plating min: Termination (µm) 1.90
 Polarized to Mating Part No
 Polarized to PCB No
 Robotic Placement Pick and Place Cap
 Temperature Range - Operating -55°C to +105°C
 Termination Interface: Style Surface Mount

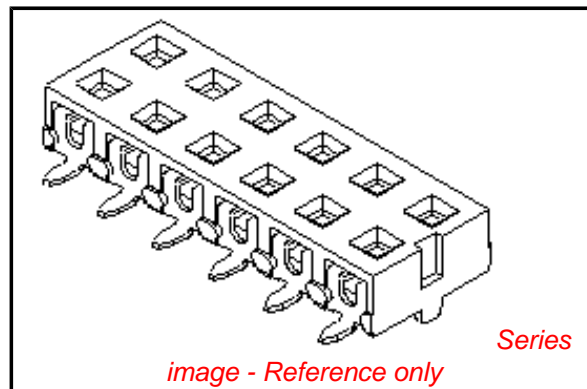
Electrical

Current - Maximum per Contact 1A
 Voltage - Maximum 125V

Material Info

Reference - Drawing Numbers

Sales Drawing SD-87340-**74



EU RoHS

ELV and RoHS Compliant
REACH SVHC Not Reviewed
Halogen-Free Status Not Reviewed

China RoHS



Need more information on product environmental compliance?

Email productcompliance@molex.com
 For a multiple part number RoHS Certificate of Compliance, [click here](#)

Please visit the [Contact Us](#) section for any non-product compliance questions.

Search Parts in this Series

[87340Series](#)

Mates With

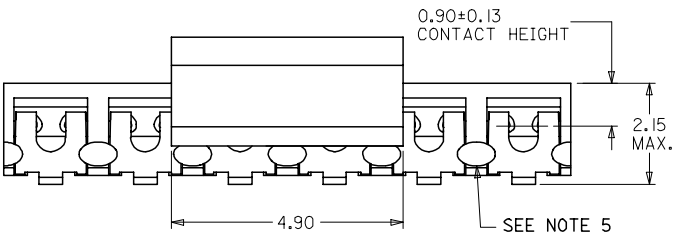
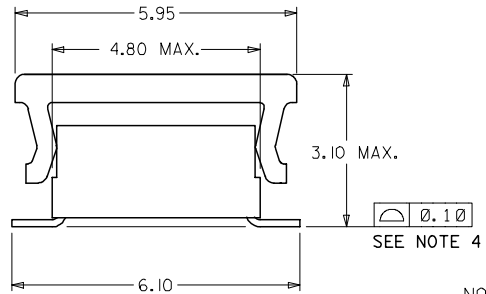
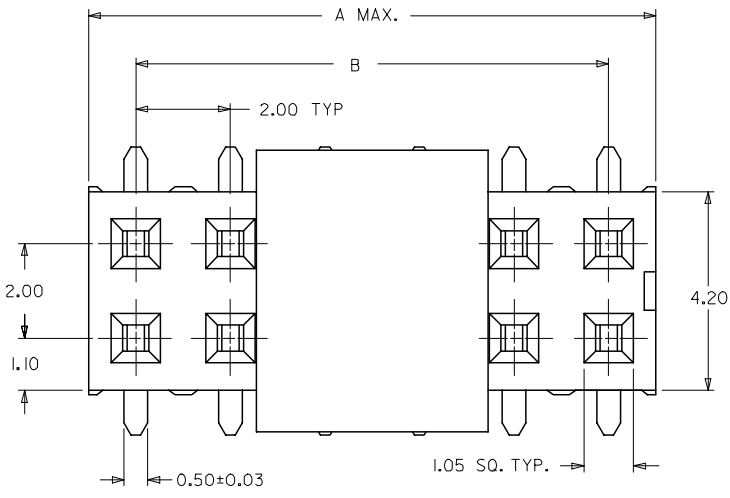
[87759](#) Vertical, Surface Mount, Stackable PCB Headers, [87760](#) Right Angle, Through Hole, Stackable PCB Headers, [87758](#) Vertical, Through Hole, Stackable PCB Headers

This document was generated on 05/17/2010

PLEASE CHECK WWW.MOLEX.COM FOR LATEST PART INFORMATION

10 9 8 7 6 5 4 3 2 1

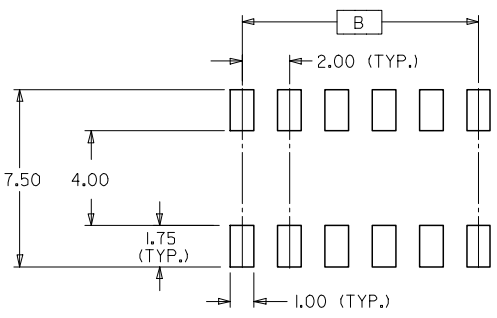
PART NUMBER (WITH CAP IN TUBE)	PART NUMBER (WITH CAP IN TAPE & REEL)	CKT. SIZE	DIM. A	DIM. B
87340-04*5	87340-04*6	04	4.00	2.00
87340-06*5	87340-06*6	06	6.00	4.00
87340-08*5	87340-08*6	08	8.00	6.00
87340-10*5	87340-10*6	10	10.00	8.00
87340-12*5	87340-12*6	12	12.00	10.00
87340-16*5	87340-16*6	16	16.00	14.00



PART NO. LEGEND

87340 - * * * *
 CKTS SIZE — * * * *
 PLATING OPTIONS (SEE NOTE 3) — * * * *
 PACKAGING OPTIONS — * * * *
 5 - PACKAGED IN TUBE.
 6 - PACKAGED IN TAPE & REEL.

- NOTES :
- FOR ILLUSTRATION PURPOSES, DRAWING SHOWS PART 12 CIRCUIT SIZE.
 - MATERIAL :
HOUSING :
LCP GLASS FILLED, UL 94V-0
SUITABLE FOR SURFACE-MOUNT SOLDERING PROCESS.
COLOR : BLACK
TERMINAL :
PHOSPHOR BRONZE ALLOY
 - PLATING FINISH:
- **7*
0.38um MIN GOLD AT TERMINAL CONTACT AREA.
1.90um MIN TIN IN SOLDER TAIL AREA BOTH OVER
1.27um MIN NICKEL OVERALL.
- **8*
0.76um MIN GOLD AT TERMINAL CONTACT AREA.
1.90um MIN TIN IN SOLDER TAIL AREA BOTH OVER
1.27um MIN NICKEL OVERALL.
 - COPLANARITY OF P.C TAIL TO BE MEASURED BY RESTING THE PART ON A FLAT GAGE SURFACE.
 - THIS AREA OF PART TO BE HEAT-STAKED TO RETAIN CONTACTS.
 - POSITION OF CAP TO BE LOCATED AT CENTRE OF DIMENSION 'A' REGARDLESS OF CIRCUIT SIZE.
 - PRODUCT SPECIFICATION PS-87340 APPLIES.
 - PART TO BE PACKED IN TUBE OR TAPE & REEL. SEE SHEET 2 FOR PACKAGING DETAILS.
 - CONTACT FACTORY FOR PARTS AVAILABILITY.

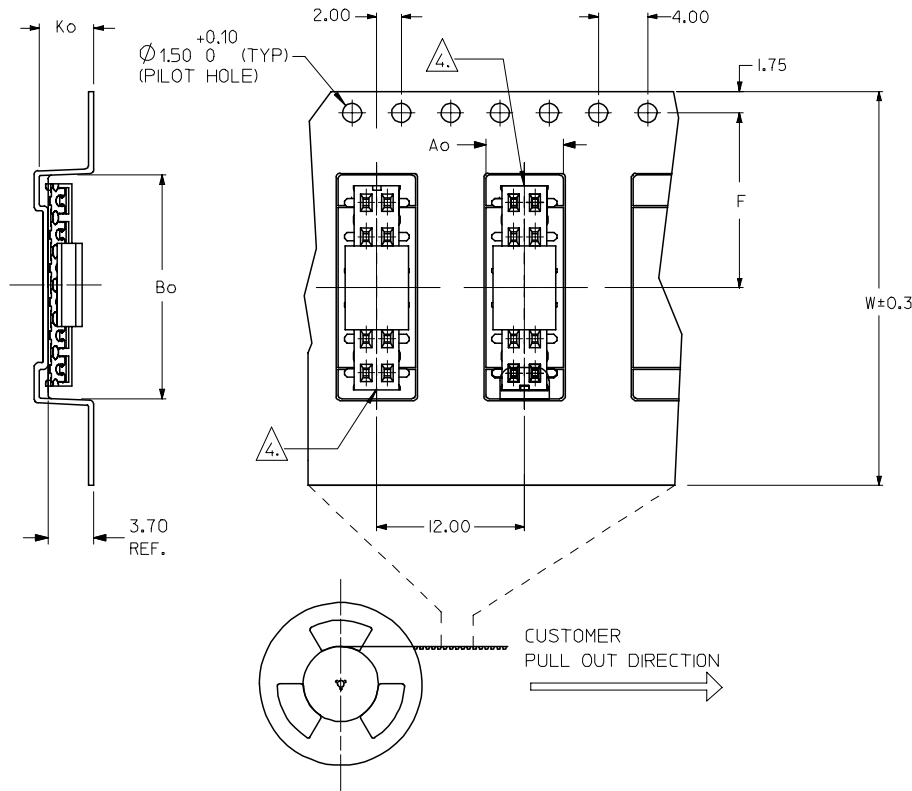


RECOMMENDED SOLDER PAD DESIGN (NTS)

PDR#S-001595-00-00 EC NO: S2007-1036 DRWNS:KANG CHKD:ATSEE APPR:MLONG	2007/06/13 2007/06/14 2007/06/14	QUALITY SYMBOLS ▽=0 ▽=0	GENERAL TOLERANCES (UNLESS SPECIFIED)		DIMENSION STYLE		SCALE	DESIGN UNITS	THIRD ANGLE PROJECTION			
					MM ONLY		NTS	METRIC				
					mm	INCH	DRAWN BY		DATE		TITLE	
					4 PLACES ± ---	± ---	PTL IM	1996/04/03		MGRID, VLPR II TOP ENTRY RECEPTACLE W/O LOC PEGS, SMT MOLEX INCORPORATED		
		3 PLACES ± ---	± ---	CHECKED BY		DATE						
		2 PLACES ± 0.20	± ---	SKTOH		1996/04/08						
		1 PLACE ± ---	± ---	APPROVED BY		DATE						
		ANGULAR ± 3 °		RWONG		1996/04/19		DOCUMENT NO.		SHEET NO.		
		DRAFT WHERE APPLICABLE MUST REMAIN WITHIN DIMENSIONS		SEE TABLE		SD-87340-**74		1 OF 2				

9 8 7 6 5 4 3 2 1

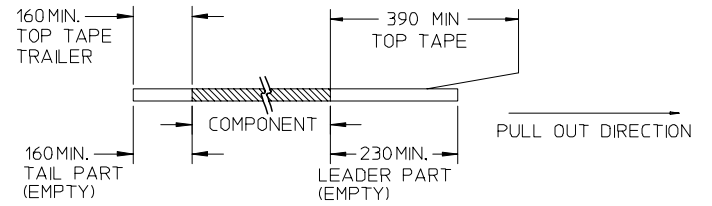
EMBOSSED CARRIER TAPE WITH DIMENSIONS
(12 CKT IS SHOWN FOR ILLUSTRATION ONLY)



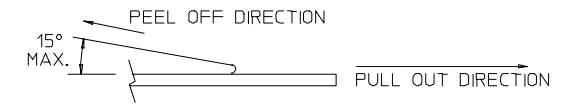
PART NO (WITH CAP IN TAPE & REEL)	CKT SIZE	Ao	Bo	F	W	Ko
87340-0476	04	6.70	5.30	11.50	24.00	5.30
87340-0676	06	6.70	6.40	11.50	24.00	5.30
87340-0686	06	6.70	6.40	11.50	24.00	5.30
87340-0876	08	6.70	8.50	11.50	24.00	5.30
87340-1076	10	6.70	10.40	11.50	24.00	5.30
87340-1276	12	6.70	12.40	11.50	24.00	5.30
87340-1686	16	6.70	16.30	11.50	24.00	5.30

NOTES:

1. LEADER AND TRAILER TAPE



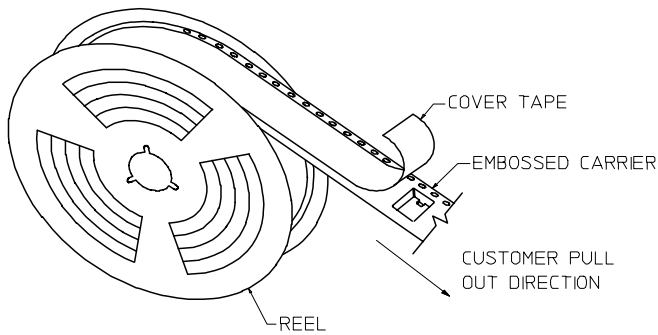
2. PEELING OFF FORCE OF THE TOP TAPE: 20-80gf.
(PEELING DIRECTION AS SHOWN IN FOLLOWING FIGURE)



3. PACKAGING STANDARD IS AS PER EIA-481.

4. TAPE & REEL QUANTITY = 1000 PCS/REEL

5. NO FIX ORIENTATION OF ASSEMBLY PART IN T&R.



TAPE AND REEL ASSEMBLY SHOWN IS FOR ILLUSTRATION ONLY

PDR#S-001595-00-00	2007/06/13
EC NO: S2007-1036	2007/06/14
DRWNS:KANG	2007/06/14
CHKD:ATSEE	2007/06/14
APPR:MLONG	2007/06/14
REV	DESCRIPTION
D2	

QUALITY SYMBOLS	DESCRIPTION
▽=0	
▽C=0	

GENERAL TOLERANCES (UNLESS SPECIFIED)	
	MM ONLY
4 PLACES	± ---
3 PLACES	± ---
2 PLACES	± 0.20
1 PLACE	± ---
ANGULAR ± 3°	
DRAFT WHERE APPLICABLE MUST REMAIN WITHIN DIMENSIONS	

DIMENSION STYLE MM ONLY	
DRAWN BY	DATE
PTL IM	1996/04/03
CHECKED BY	DATE
SKTOH	1996/04/08
APPROVED BY	DATE
RWONG	1996/04/19
MATERIAL NO.	
SEE TABLE	
SIZE	
A3	

SCALE	DESIGN UNITS	THIRD ANGLE PROJECTION
NTS	METRIC	☉ □
DRAWN BY PTL IM DATE 1996/04/03		
CHECKED BY SKTOH DATE 1996/04/08		
APPROVED BY RWONG DATE 1996/04/19		
MATERIAL NO. SEE TABLE		
DOCUMENT NO. SD-87340-**74		
SHEET NO. 2 OF 2		

MGRID, VLPR II
TOP ENTRY RECEPTACLE
W/O LOC PEGS, SMT

MOLEX INCORPORATED