

SURFACE MOUNT COMMON MODE CHOKES

P/N:BCM-9012 DATA SHEET

A. General Specifications:

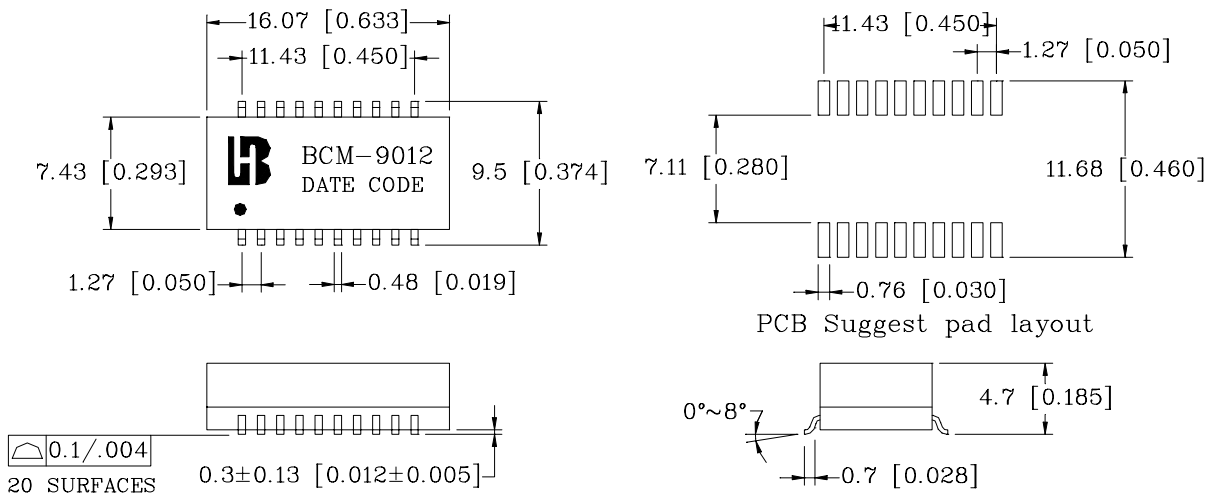
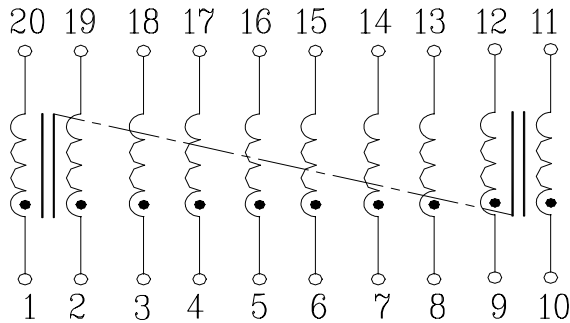
1. Reduces radiated EMI emissions.
2. Filters common mode noise for EMI reduction.
3. Common mode attenuation from 100KHz to 1GHz.
4. Operating temperature range : 0°C to +70°C

B. Electrical Specifications @25°C :

1. Turn Ratio: 1:1
2. Primary Inductance OCL: 7.5 μ H Min @100KHz/1V
3. DCR: 0.20 Ω Max.
4. Isolation HI-POT: 1500 Vrms.
5. Common Mode Attenuation (dB TYP):

100 KHz	1 MHz	10 MHz	30 MHz	50 MHz	100 MHz	300MHz	500MHz
4	9	20	25	26	24	16	11

C. Schematic & Mechanical :



Dimensions: mm [Inches] Tolerances: ±0.25 [0.01]