

PLEASE CHECK WWW.MOLEX.COM FOR LATEST PART INFORMATION

Part Number: [0194320014](#)
Status: **Active**
Overview: [mx150l sealed connector system](#)
Description: MX150L™ 2 Circuit Female Sealed Receptacle for 8 AWG Wire

Documents:

[3D Model](#) [Product Specification PS-19432-001 \(PDF\)](#)
[Drawing \(PDF\)](#) [RoHS Certificate of Compliance \(PDF\)](#)

Agency Certification

CSA LR18689
 UL E152602

General

Product Family Crimp Housings
 Series [19432](#)
 Comments Mat Seal Color is Red, Polarized to Mating Part
 Overview [mx150l sealed connector system](#)
 Product Literature Order No 987650-2181
 Product Name MX150L™

Physical

Circuits (maximum) 2
 Circuits Detail 1x1
 Flammability 94V-0
 Gender Female
 Glow-Wire Compliant No
 Keying to Mating Part N/A
 Lock to Mating Part Yes
 Number of Rows 1
 Packaging Type Bag
 Panel Mount No
 Pitch - Mating Interface (in) 0.230 In
 Pitch - Mating Interface (mm) 5.84 mm
 Polarized to Mating Part Yes
 Stackable No
 Temperature Range - Operating -40°C to +125°C

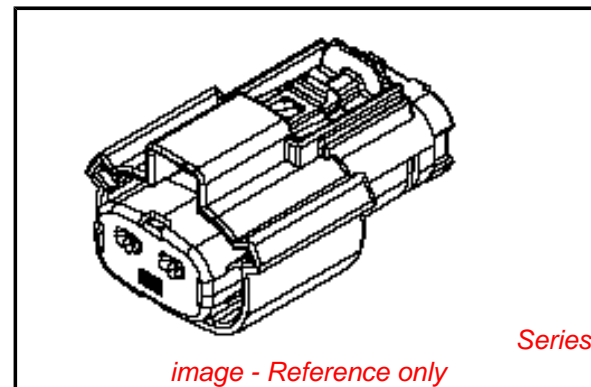
Electrical

Current - Maximum per Contact 40A

Material Info

Reference - Drawing Numbers

Packaging Specification PK-19432-001
 Product Specification PS-19432-001
 Sales Drawing SD-19432-001



EU RoHS

ELV and RoHS Compliant
REACH SVHC
 Not Reviewed
Halogen-Free Status
Not Reviewed

China RoHS



Need more information on product environmental compliance?

Email productcompliance@molex.com
 For a multiple part number RoHS Certificate of Compliance, [click here](#)

Please visit the [Contact Us](#) section for any non-product compliance questions.

Search Parts in this Series

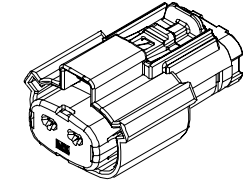
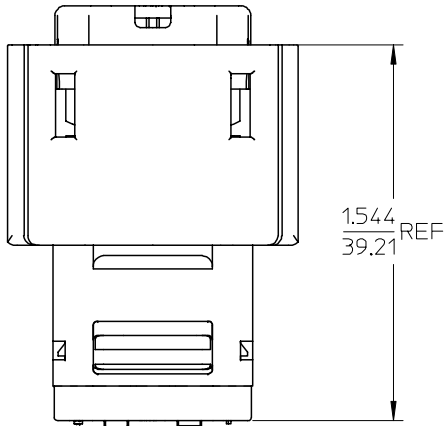
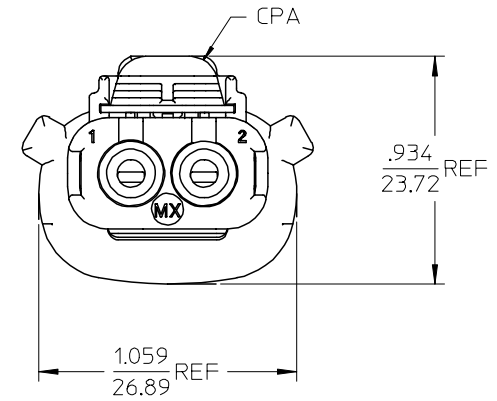
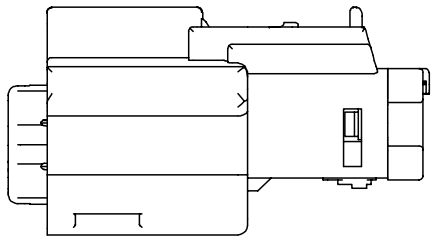
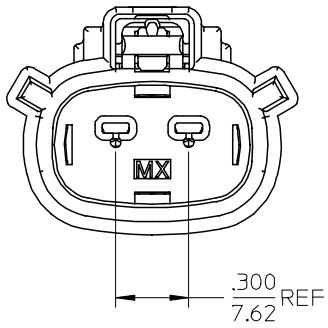
[19432Series](#)

Mates With

[19433-0014 Male Plug](#)

Use With

[19434 Female Terminals](#)



194320013	10-12	YES
194320014	8	
194320015	10-12	NO
194320016	8	
MATERIAL NUMBER	UL WIRE AWG	CPA

NOTES:
 1. ASSEMBLY PACKAGED PER PK-19432-001
 2. USE CONNECTOR WITH FEMALE CRIMP TERMINAL: SERIES 19434.

PRODUCT RELEASE EC NO: ETC2005-0069 DRWN:BRUPERT 2004/10/25 CHKD:JPWLICK 2004/10/25 APPR:RDEROSS 2004/10/25	QUALITY SYMBOLS ▽=0 ▽=0	GENERAL TOLERANCES (UNLESS SPECIFIED)		DIMENSION STYLE IN/MM	SCALE 2:1	DESIGN UNITS INCH	THIRD ANGLE PROJECTION	
		4 PLACES ± --- ± --- 3 PLACES ± --- ± .015 2 PLACES ± 0.38 ± --- 1 PLACE ± --- ± ---	DRAWN BY B.RUPERT DATE 04/09/29	CHECKED BY JPWLICK DATE 04/09/29	TITLE 2 WAY RECEPTACLE ASSEMBLY			
		ANGULAR ± 1 °	APPROVED BY R.DEROSS DATE 04/09/29	MATERIAL NO. SEE CHART DOCUMENT NO. SD-19432-001				
	DRAFT WHERE APPLICABLE MUST REMAIN WITHIN DIMENSIONS	SIZE B	THIS DRAWING CONTAINS INFORMATION THAT IS PROPRIETARY TO MOLEX INCORPORATED AND SHOULD NOT BE USED WITHOUT WRITTEN PERMISSION					