

**PLEASE CHECK WWW.MOLEX.COM FOR LATEST PART INFORMATION**

**Part Number:** [0399200302](#)  
**Status:** **Active**  
**Description:** 15.00mm (.591") Beau™ Eurostyle™, Fixed Mount PCB Terminal Block, High Voltage, High Power 115.0A, 2 Circuits

**Documents:**

[3D Model](#) [RoHS Certificate of Compliance \(PDF\)](#)  
[Drawing \(PDF\)](#)

**Agency Certification**

UL E48521

**General**

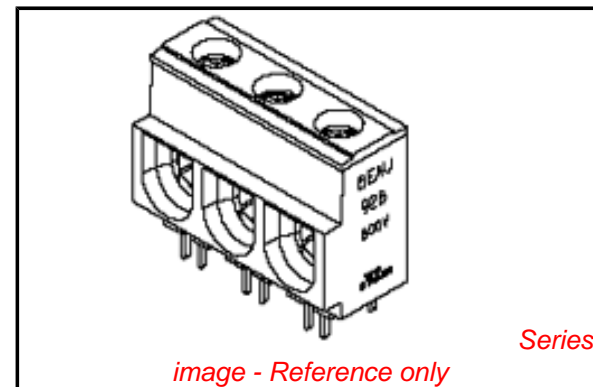
Product Family	Terminal Blocks
Series	<a href="#">39920</a>
Application	Wire-to-Board
Component Type	One Piece
Product Literature Order No	USA-199
Product Name	Eurostyle™ Fixed Mount
Type	Euro Block

**Physical**

Circuits (Loaded)	2
Color - Resin	Black
Entry Angle	Horizontal
Flammability	94V-0
Lock to Mating Part	None
Material - Metal	Brass
Material - Plating Mating	Tin
Material - Plating Termination	Tin
Material - Resin	Polyester
Number of Rows	1
Orientation	Vertical
PC Tail Length (in)	0.250 In
PC Tail Length (mm)	6.35 mm
PCB Retention	Yes
Panel Mount	No
Pitch - Mating Interface (in)	0.591 In
Pitch - Mating Interface (mm)	15.00 mm
Pitch - Term. Interface (in)	0.591 In
Pitch - Term. Interface (mm)	15.00 mm
Plating min: Mating (µin)	150
Plating min: Mating (µm)	3.75
Plating min: Termination (µin)	150
Plating min: Termination (µm)	3.75
Polarized to Mating Part	Yes
Shrouded	Fully
Stackable	No
Surface Mount Compatible (SMC)	No
Temperature Range - Operating	130°C
Termination Interface: Style	Through Hole
Wire Size AWG	1, 2, 3, 4, 6, 8
Wire Size mm²	10.0 - 35

**Electrical**

Current - Maximum per Contact 11A



*image - Reference only*

*Series*

**EU RoHS**

**ELV and RoHS  
Compliant**  
**REACH SVHC**  
 Not Reviewed  
**Halogen-Free  
Status**  
 Not Reviewed

**China RoHS**



**Need more information on product  
environmental compliance?**

Email [productcompliance@molex.com](mailto:productcompliance@molex.com)  
 For a multiple part number RoHS Certificate of  
 Compliance, [click here](#)

Please visit the [Contact Us](#) section for any  
 non-product compliance questions.

**Search Parts in this Series**

[39920Series](#)

**Mates With**

N/A

Voltage - Maximum

600V

**Solder Process Data**

Lead-free Process Capability

Wave Capable (TH only)

**Material Info**

Old Part Number

92B0502

**Reference - Drawing Numbers**

Sales Drawing

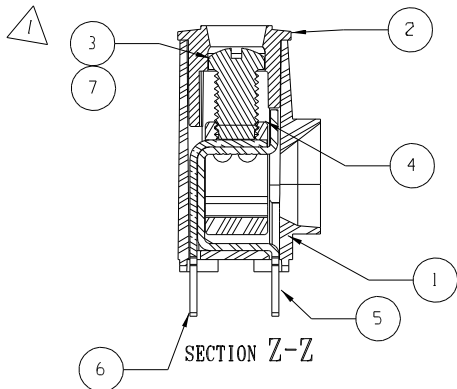
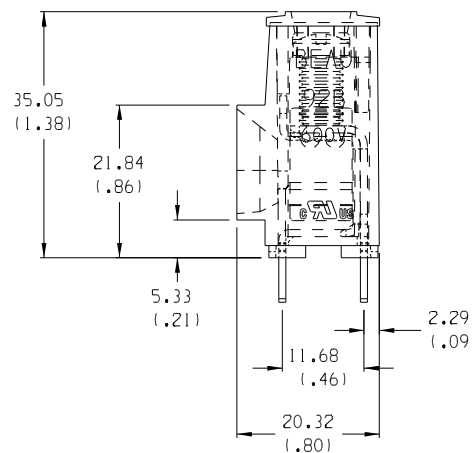
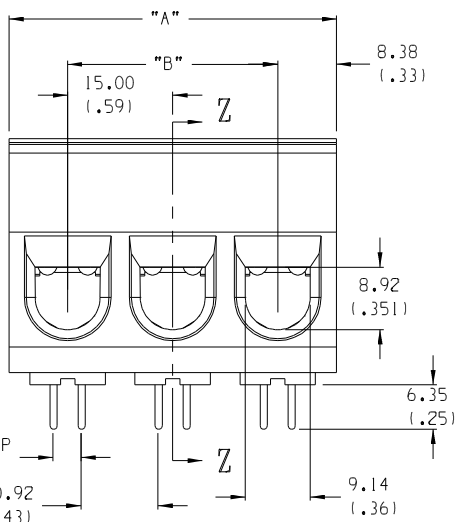
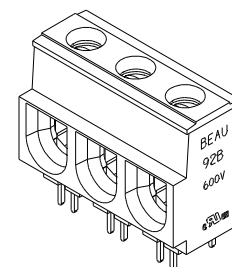
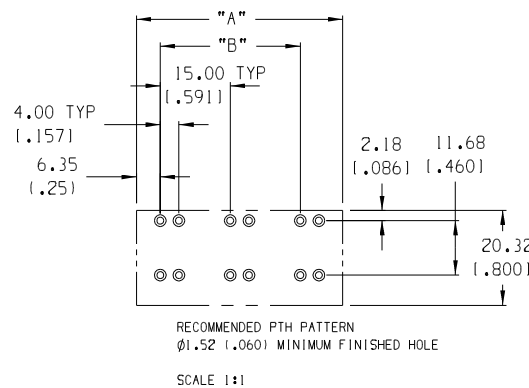
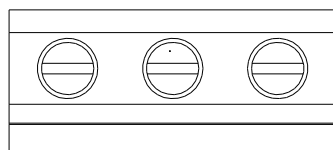
SD-39920-006

This document was generated on 04/27/2010

**PLEASE CHECK [WWW.MOLEX.COM](http://WWW.MOLEX.COM) FOR LATEST PART INFORMATION**

LENGTH TABLE

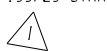
MATERIAL NO. (STANDARD)	MATERIAL NO. (-56 OPT.)	NO. OF CIRCUITS	"B"	"A"
F 399200302	399200602	02	15.0 (.591)	32 (1.25)
399200303	399200603	03	30.0 (1.181)	47 (1.84)
399200304	399200604	04	45.0 (1.772)	62 (2.43)
399200305	399200605	05	60.0 (2.362)	77 (3.02)
399200306	399200606	06	75.0 (2.952)	92 (3.61)
399200307	399200607	07	90.0 (3.543)	107 (4.20)
399200308	399200608	08	105.0 (4.134)	122 (4.79)
E 399200309	399200609	09	120.0 (4.724)	137 (5.38)
399200310	399200610	10	135.0 (5.315)	152 (5.97)
399200311	399200611	11	150.0 (5.906)	167 (6.57)
399200312	399200612	12	165.0 (6.496)	182 (7.16)



NOTES:

- 1. MATERIAL: SEE TABLE.
- 2. FINISHES: SEE TABLE.
- 3. PRODUCT SPECIFICATION: NOT REQUIRED.
- 4. PACKAGING: NOT REQUIRED.
- 5. MATES WITH: NONE.
- 6. ALL FEATURES ARE TYPICAL UNLESS OTHERWISE NOTED.
- 7. "XX" REFERS TO THE NUMBER OF CIRCUIT POSITIONS
- 8. DESIGNED TO MEET NEC & UL 1059 CLASS C 600 VOLTS
- 9. MULTIPLE TAIL DESIGN FOR LOWER PCB CURRENT DENSITIES
- 10. PROVEN PRESSURE CLAMP STYLE CONNECTION
- 11. AVAILABLE IN VARIOUS LENGTHS
- 12. WINDOW ACCEPTS 133/23 STRANDED #2 AWG, #3 AWG AND 19 STRAND #1 AWG

ITEM	QTY.	DESCRIPTION	MATERIAL	FINISH
7	"XX"	SCREW, 1/4-28, SLOTTED, ST. STEEL	STAINLESS STEEL	TIN
6	"XX"	OUTER TERMINAL	COPPER	TIN
5	"XX"	INNER TERMINAL	COPPER	TIN
4	"XX"	CAGE	BRASS	NICKEL
3	"XX"	SCREW, 1/4-28, SLOTTED, BRONZE	BRONZE	TIN
2	1	COVER	THERMOPLASTIC	BLACK
1	1	BODY	THERMOPLASTIC	BLACK



EC NO. 4261	DESCRIPTION	QUALITY SYMBOLS
DRAWN: CY 10-7-05	MAJOR	GENERAL TOLERANCES: (UNLESS SPECIFIED)
CHK: [ ]	CRITICAL	mm INCH
APPR: [ ]	C	4 PLACES ±.0015
REV		3 PLACES ±.038 ±.005
		2 PLACES ±.13 ±.01
		1 PLACE ±.3
		ANGULAR: ±2°
		DRAFT WHERE APPLICABLE MUST REMAIN WITHIN DIMENSIONS

SCALE 1.5:1	DESIGN UNITS	THIRD ANGLE PROJECTION
DRAWN BY & DATE	AMP 4/11/02	TITLE: SR, BTS, #1-#8 AWG, 600V
CHECKED BY & DATE	GHR 6/11/02	
APPROVED BY & DATE	L.ROTHAUS 6/11/02	
CAD FILENAME	92B05XX	MATERIAL NO. SEE CHART
		DRAWING NO. SD-39920-006
		SHEET NO. 1 OF 1
		SIZE B

DIMENSIONS:		SHT	REV
<input checked="" type="checkbox"/> mm	<input type="checkbox"/> INCH		
<input type="checkbox"/> mm	<input type="checkbox"/> INCH		
ONLY		REVISE ON CAD ONLY	

THIS DRAWING CONTAINS INFORMATION THAT IS PROPRIETARY TO MOLEX INCORPORATED AND SHOULD NOT BE USED WITHOUT WRITTEN PERMISSION.