

PLEASE CHECK WWW.MOLEX.COM FOR LATEST PART INFORMATION

Part Number: [0399200708](#)
Status: **Active**
Description: 15.00mm (.591") Beau™ Eurostyle™, Fixed Mount PCB Terminal Block, High Voltage, High Power 115.0A, 8 Circuits

Documents:

[3D Model](#) [RoHS Certificate of Compliance \(PDF\)](#)
[Drawing \(PDF\)](#)

Agency Certification

UL E48521

General

Product Family	Terminal Blocks
Series	39920
Application	Wire-to-Board
Component Type	One Piece
Product Name	Eurostyle™ Fixed Mount
Type	Euro Block

Physical

Circuits (Loaded)	8
Circuits (maximum)	8
Color - Resin	Black
Entry Angle	Vertical
Flammability	94V-0
Lock to Mating Part	None
Material - Metal	Brass
Material - Plating Mating	Tin
Material - Plating Termination	Tin
Material - Resin	Polyester
Number of Rows	1
Orientation	Vertical
PC Tail Length (in)	0.250 In
PC Tail Length (mm)	6.30 mm
PCB Retention	Yes
PCB Thickness Recommended (in)	0.125 In
PCB Thickness Recommended (mm)	3.18 mm
Panel Mount	No
Pitch - Mating Interface (in)	0.000 In
Pitch - Mating Interface (mm)	0.00 mm
Pitch - Term. Interface (in)	0.591 In
Pitch - Term. Interface (mm)	15.00 mm
Plating min: Mating (µin)	150
Plating min: Mating (µm)	3.75
Plating min: Termination (µin)	150
Plating min: Termination (µm)	3.75
Polarized to Mating Part	Yes
Shrouded	Fully
Stackable	No
Surface Mount Compatible (SMC)	No
Temperature Range - Operating	-40°C to +130°C
Termination Interface: Style	Through Hole
Wire Size AWG	1, 2, 3, 4, 6, 8
Wire Size mm²	2.50 - 25

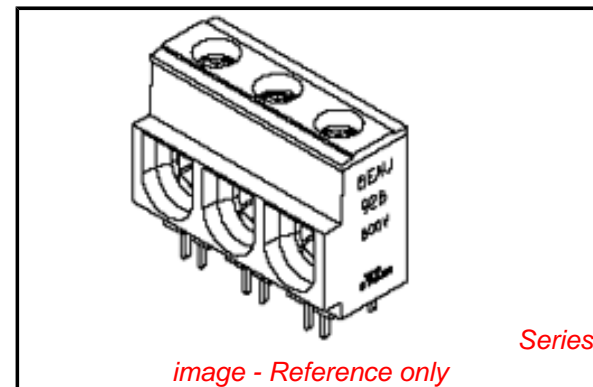


image - Reference only

Series

EU RoHS

RoHS Compliant by Exemption
REACH SVHC Not Reviewed
Halogen-Free Status Not Reviewed

China RoHS



Need more information on product environmental compliance?

Email productcompliance@molex.com
 For a multiple part number RoHS Certificate of Compliance, [click here](#)

Please visit the [Contact Us](#) section for any non-product compliance questions.

Search Parts in this Series
[39920Series](#)

Mates With
 N/A

Electrical

Current - Maximum per Contact

11A

Voltage - Maximum

600V

Material Info**Reference - Drawing Numbers**

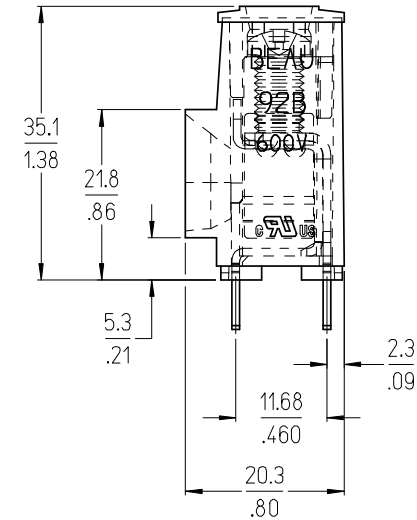
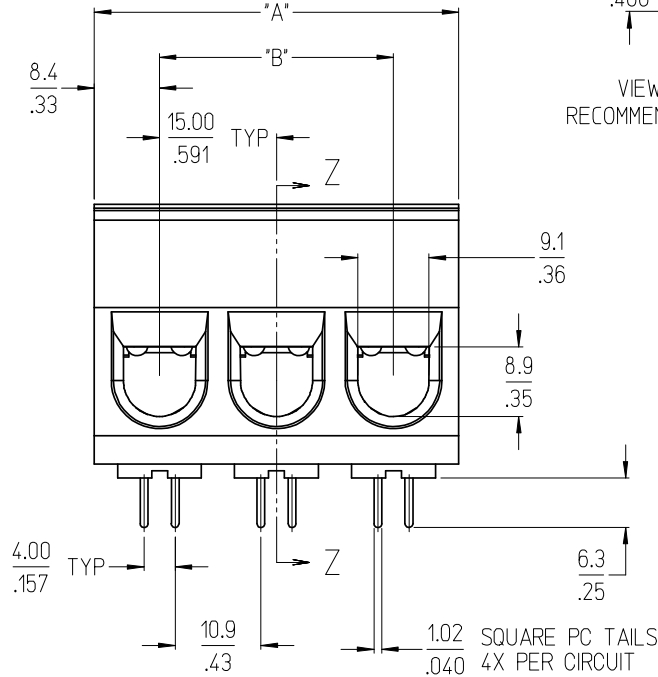
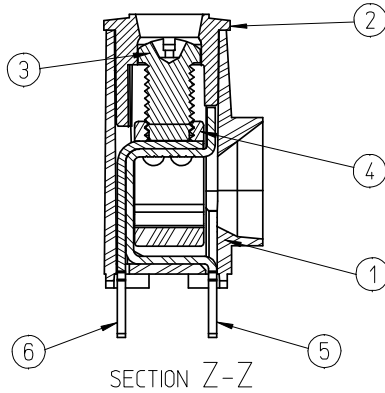
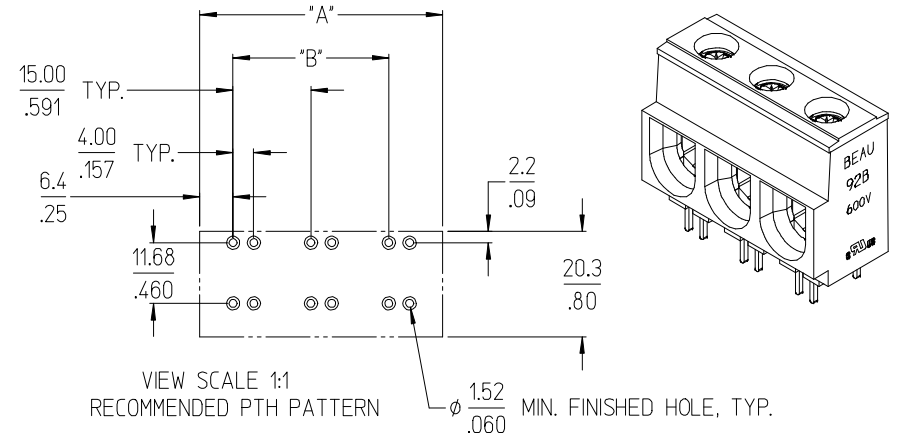
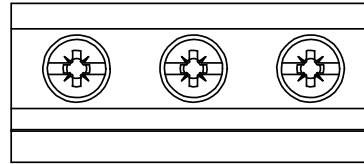
Sales Drawing

SD-39920-002

This document was generated on 05/10/2010

PLEASE CHECK WWW.MOLEX.COM FOR LATEST PART INFORMATION

NO. OF CIRCUITS	DIM. "A"		DIM. "B"		ASSEMBLY MATERIAL NO.
	mm	in	mm	in	
02	31.8	1.25	15.00	.591	399200702
03	46.8	1.84	30.00	1.181	399200703
04	61.8	2.43	45.00	1.772	399200704
05	76.8	3.02	60.00	2.362	399200705
06	91.8	3.61	75.00	2.953	399200706
07	106.8	4.20	90.00	3.543	399200707
08	121.8	4.79	105.00	4.134	399200708
09	136.8	5.38	120.00	4.724	399200709
10	151.8	5.97	135.00	5.315	399200710
11	166.8	6.57	150.00	5.906	399200711
12	181.8	7.16	165.00	6.496	399200712



NOTES:

1. MATERIAL: SEE TABLE
2. FINISHES: SEE TABLE
3. "XX" REFERS TO THE QUANTITY OF CIRCUITS.
4. ASSEMBLY IS ROHS COMPLIANT BY EXEMPTION. COMPONENTS MARKED WITH AN ASTERISK (*) ARE ROHS COMPLIANT BY EXEMPTION, ALL OTHERS ARE ROHS COMPLIANT.

ITEM	QTY.	DESCRIPTION	MATERIAL	FINISH
6	"XX"	OUTER TERMINAL	COPPER	TIN PLATE
5	"XX"	INNER TERMINAL	COPPER	TIN PLATE
4	"XX"	CAGE (*)	BRASS	NICKEL PLATE
3	"XX"	SCREW, 1/4-28, POZI-SLOT, TIN/SS	ST. STEEL	TIN PLATE
2	1	COVER	PBT	BLACK
1	1	BODY	PBT	BLACK

INITIAL RELEASE
 ETC NO: ETC2008-0077
 DRWN: CLYORK 2007/09/17
 CHKD: JMACNEIL 2007/09/18
 APPR: JMACNEIL 2007/09/18

QUALITY SYMBOLS
 ▼=0
 ▽=0

GENERAL TOLERANCES (UNLESS SPECIFIED)

	mm	INCH
4 PLACES	±---	±---
3 PLACES	±---	±.005
2 PLACES	±0.13	±.01
1 PLACE	±0.3	±---

ANGULAR ± 2 °

DRAFT WHERE APPLICABLE
 MUST REMAIN WITHIN DIMENSIONS

DIMENSION STYLE
 MM/IN

DRAWN BY: C. YORK
 DATE: 2007/09/12

CHECKED BY: J. MACNEIL
 DATE: 2007/09/12

APPROVED BY: J. MACNEIL
 DATE: 2007/09/12

MATERIAL NO. SEE CHART

SCALE 3:2
 DESIGN UNITS INCH
 THIRD ANGLE PROJECTION

TITLE
 15.00/.591 SR BTS, PC,
 #1-#8 AWG ASST, 600V,
 115A, SS SCREW

MOLEX INCORPORATED
 DOCUMENT NO. SD-39920-002
 SHEET NO. 1 OF 1

THIS DRAWING CONTAINS INFORMATION THAT IS PROPRIETARY TO MOLEX INCORPORATED AND SHOULD NOT BE USED WITHOUT WRITTEN PERMISSION