

**PLEASE CHECK WWW.MOLEX.COM FOR LATEST PART INFORMATION**

**Part Number:** **0508627225**  
**Status:** **Active**  
**Description:** Ring Tongue Terminal for 2/0 AWG, Closed Uninsulated Brazed Barrel, Stud Size M10, Oxygen-Free Copper, Length 51.00mm (2.008")

**Documents:**

[Drawing \(PDF\)](#) [RoHS Certificate of Compliance \(PDF\)](#)  
[Product Specification PS-50862-001 \(PDF\)](#)

**General**

Product Family	Ring and Spade Terminals
Series	<u>50862</u>
Crimp Quality Equipment	Yes
Mil-Spec	N/A
Product Name	R (Ring)
Type	Ring

**Physical**

Barrel Type	Closed - Brazed
Insulation	None
Material - Plating Mating	Tin
Packaging Type	Bag
Stud Size	M10
Wire Size AWG	2/0
Wire Size mm <sup>2</sup>	60.57 - 76.28

**Material Info**

**Reference - Drawing Numbers**

Product Specification	PS-50862-001
Sales Drawing	SD-50862-001



image - Reference only

Series

**EU RoHS**

**ELV and RoHS Compliant**

**REACH SVHC**

Not Reviewed

**Halogen-Free**

Status

**Not Reviewed**

**China RoHS**



**Need more information on product environmental compliance?**

Email [productcompliance@molex.com](mailto:productcompliance@molex.com)  
 For a multiple part number RoHS Certificate of Compliance, [click here](#)

Please visit the [Contact Us](#) section for any non-product compliance questions.

**Search Parts in this Series**

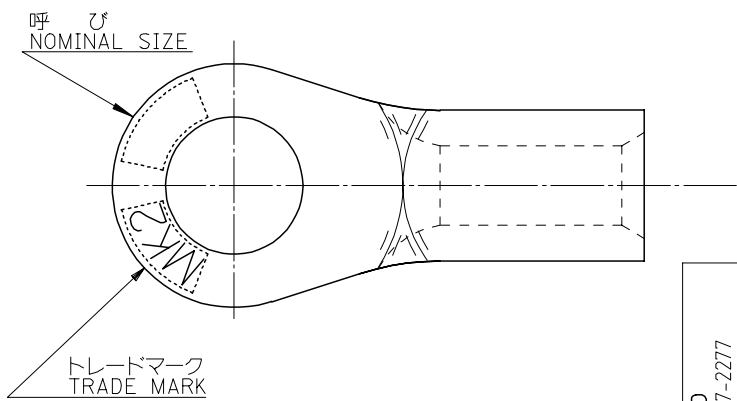
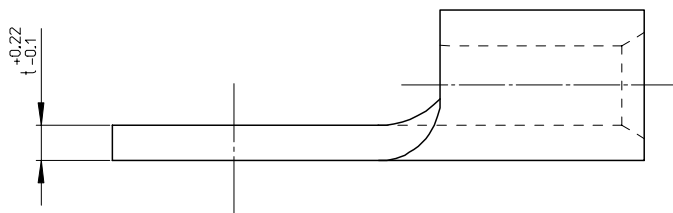
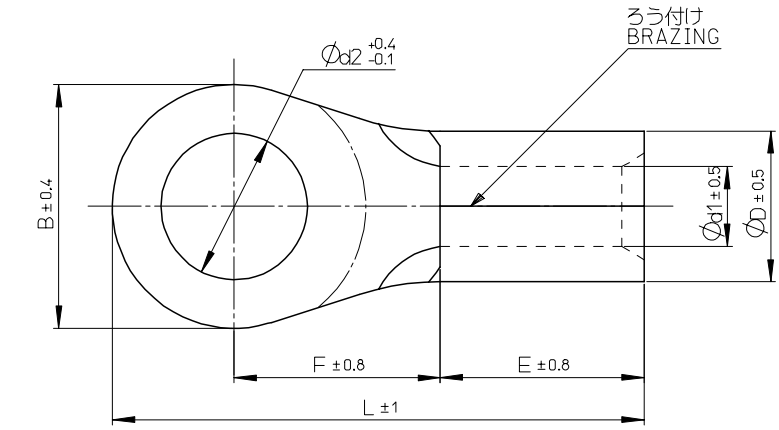
[50862Series](#)

**Application Tooling | FAQ**

*Tooling specifications and manuals are found by selecting the products below. Crimp Height Specifications are then contained in the Application Tooling Specification document.*

**Japan**

Description	Product #
Battery Type Hand Crimper For JIS Terminal	<a href="#">0573439004</a>



注記 NOTES

- 1 材質 MATERIAL  
 端子: 無酸素銅、スズメッキ  
 TERMINAL: OXYGEN-FREE COPPER, TIN PLATING  
 ろう付け部: 銀ろう  
 PART OF BRAZING: SILVER SOLDER
- 2 適用電線 APPLICABLE WIRE RANGE

単線 SOLID WIRE	撚線 STRANDED WIRE
8.26-9.27 mm	60.57-76.28 mm <sup>2</sup>

2	25	61	26	19	13.3	17.5	32	70	24	50862-7925
	21								20	-7825
	19								18	-7725
	17								16	-7625
	15								14	-7525
	13								12	-7425
	11.5								11	-7325
	10.5								10	-7225
	8.4								8	-7125
	6.4								6	50862-7025
t	d2	L	F	E	d1	D	B	呼び NOMINAL SIZE	ENG. NO.	

RELEASED EC NO: J2007-2277 DRWNG: ITO 2007/03/27 CHKD: KASAHARA 2007/05/18 APPR: NUKITA 2007/05/21	GENERAL TOLERANCES (UNLESS SPECIFIED)		DIMENSION STYLE MM ONLY		SCALE ---	DESIGN UNITS METRIC	THIRD ANGLE PROJECTION		
	10 UNDER	± ---	DRAWN BY K. ITO	DATE 2007/02/06	TITLE RING TERMINAL				
	10 OVER 30 UNDER	± ---	CHECKED BY K. KASAHARA	DATE 2007/02/06	MOLEX INCORPORATED SD-50862-001 SHEET NO. 1 OF 1				
	30 OVER	± ---	APPROVED BY N. UKITA	DATE 2007/02/06					
	ANGULAR	± --- °	MATERIAL NO.		DOCUMENT NO.		SEE CHART		
DRAFT WHERE APPLICABLE MUST REMAIN WITHIN DIMENSIONS		SIZE A3		THIS DRAWING CONTAINS INFORMATION THAT IS PROPRIETARY TO MOLEX INCORPORATED AND SHOULD NOT BE USED WITHOUT WRITTEN PERMISSION					