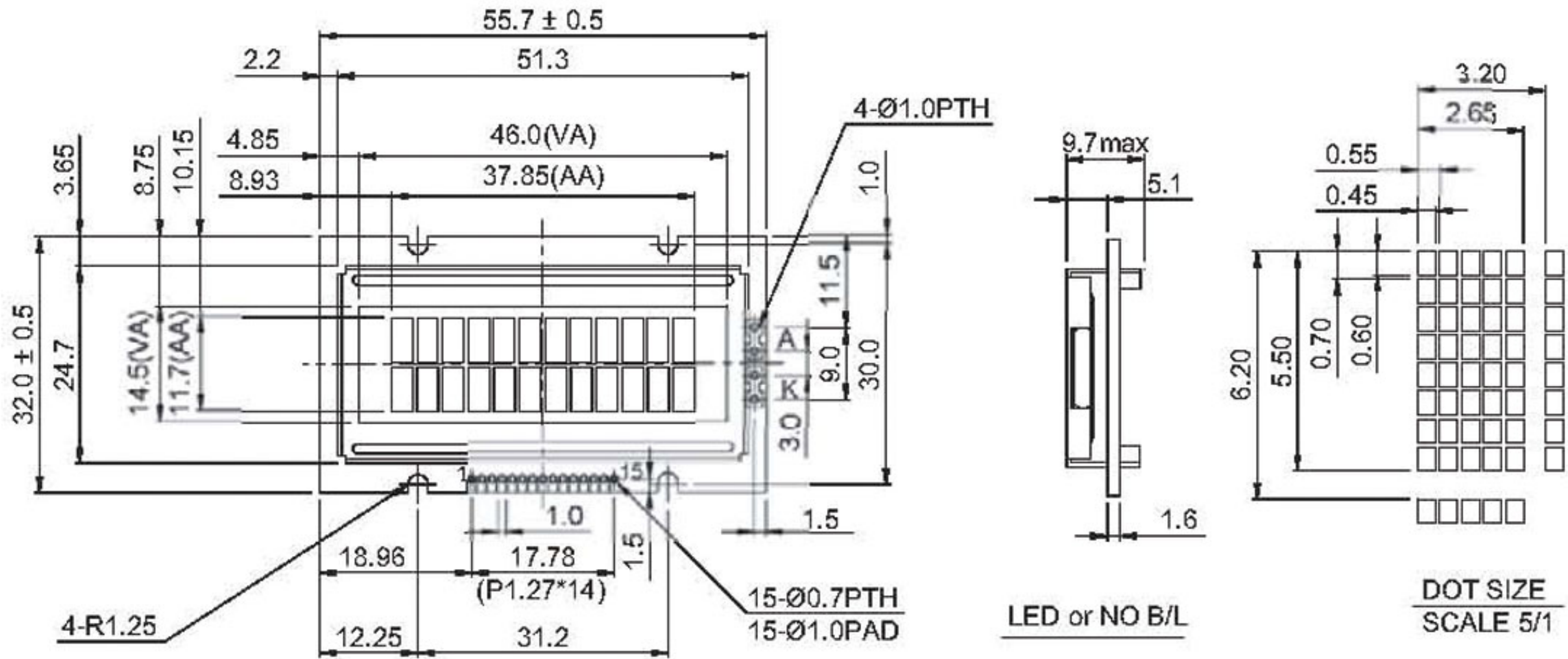


PACKAGE DIMENSIONS:

Feature

1. COB with metal frame
2. 5x7 dots with cursor
3. Built-in controller KS0066 or equivalent
4. + 5V single power supply
5. 1/16 duty cycle
6. B/L pins: 15, or A/K, or 1/2
7. No Negative Voltage Option

Pin Assignment

Pin	Symbol	Function
1	Vss	GND
2	Vdd	+5V
3	Vo	Contrast adjustment
4	RS	H/L register select signal
5	R/W	H/L read/write signal
6	E	H --> L enable signal
7~14	DB0~7	H/L data bus line
15	A	Power supply for B/L (+)

Electronic Characteristics

Item	Symbol	Condition	Typical Value	Unit
Input Voltage	Vdd	Vdd = +5V	5.0	V
Supply Current	Idd	Vdd = +5V	1.5	mA
LCD Driving Voltage	Vdd-Vo	25°C	4.4	V
LED Forward Voltage	Vf	25°C	4.2	V
LED Forward Current	If	25°C	40	mA

Mechanical Data

Item	Standard Value	Unit
Module Dimension	55.7 x 32.0	mm
Viewing Area	46.0 x 14.5	mm
Dot Size	0.45 x 0.60	mm
Character Size	2.65 x 5.50	mm