

**PLEASE CHECK WWW.MOLEX.COM FOR LATEST PART INFORMATION**

**Part Number:** [0472721005](#)  
**Status:** **Active**  
**Overview:** [displayport](#)  
**Description:** 0.50mm (.020") Pitch DisplayPort\* Male Receptacle, Right Angle, SMT, 0.76µm (30µ") Gold (Au) Plating, 20 Circuits, without Cover or Mylar, with Flange, Latch Holes, Peg and SMT Tab of Shell, Leadfree

**Documents:**

[3D Model](#) [Product Specification PS-47272-001 \(PDF\)](#)  
[Drawing \(PDF\)](#) [RoHS Certificate of Compliance \(PDF\)](#)

**Agency Certification**

UL E29179

**General**

Product Family I/O Connectors  
 Series [47272](#)  
 Application Wire-to-Board  
 Comments SMT Peg of Shell  
 Component Type Receptacle  
 Overview [displayport](#)  
 Product Name DisplayPort\*  
 Type N/A

**Physical**

Boot Color N/A  
 Circuits (Loaded) 20  
 Circuits (maximum) 20  
 Color - Resin Black  
 Flammability 94V-0  
 Gender Male  
 Keying to Mating Part Yes  
 Lock to Mating Part Yes  
 Material - Metal Copper Alloy  
 Material - Plating Mating Gold  
 Material - Plating Termination Tin-Bismuth  
 Material - Resin High Temperature Thermoplastic  
 Number of Rows 2  
 Orientation Right Angle  
 PCB Locator Yes  
 PCB Retention Yes  
 Packaging Type Embossed Tape on Reel  
 Panel Mount With Flange  
 Pitch - Mating Interface (in) 0.039 In  
 Pitch - Mating Interface (mm) 0.50 mm  
 Pitch - Term. Interface (in) 0.039 In  
 Pitch - Term. Interface (mm) 0.50 mm  
 Plating min: Mating (µin) 30  
 Plating min: Mating (µm) 0.76  
 Plating min: Termination (µin) 40  
 Plating min: Termination (µm) 1  
 Polarized to Mating Part Yes  
 Polarized to PCB Yes  
 Ports 1  
 Temperature Range - Operating -20°C to +85°C  
 Termination Interface: Style Surface Mount



image - Reference only

Series

**EU RoHS**

**ELV and RoHS  
 Compliant**  
**REACH SVHC  
 Not Reviewed**  
**Halogen-Free  
 Status  
 Not Reviewed**

**China RoHS**



**Need more information on product  
 environmental compliance?**

Email [productcompliance@molex.com](mailto:productcompliance@molex.com)  
 For a multiple part number RoHS Certificate of Compliance, [click here](#)

Please visit the [Contact Us](#) section for any non-product compliance questions.

**Search Parts in this Series**

[47272Series](#)

**Mates With**

[47271](#) Plug Sub-Assemblies, [68783](#) Cable Series

Waterproof / Dustproof

No

**Electrical**

Current - Maximum per Contact

0.5A

Grounding to Panel

Yes

Shielded

Yes

Voltage - Maximum

40V AC

**Material Info**

**Reference - Drawing Numbers**

Packaging Specification

PK-47272-003

Product Specification

PS-47272-001

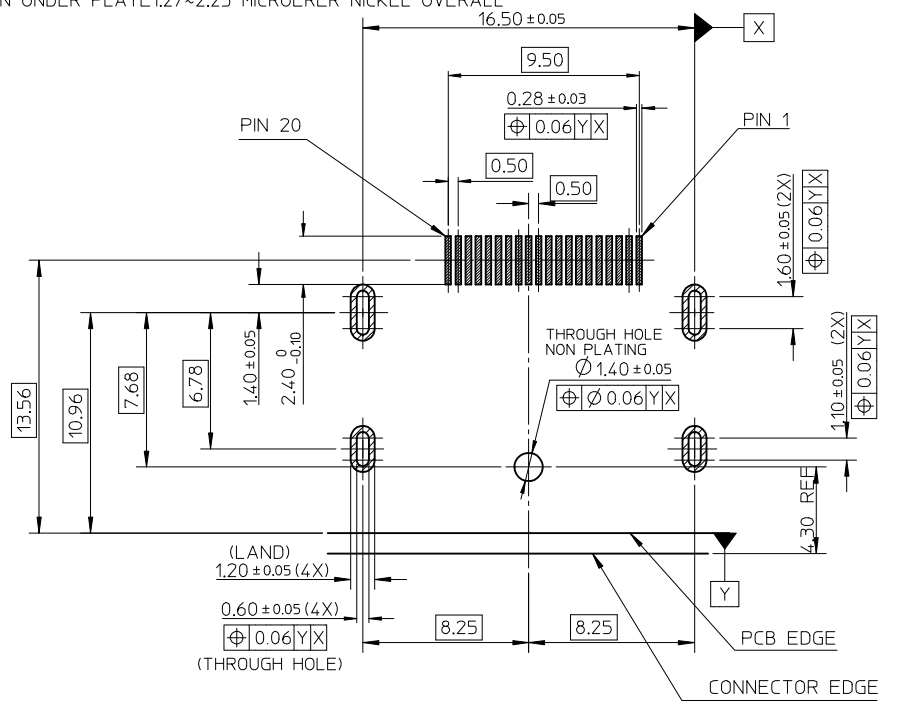
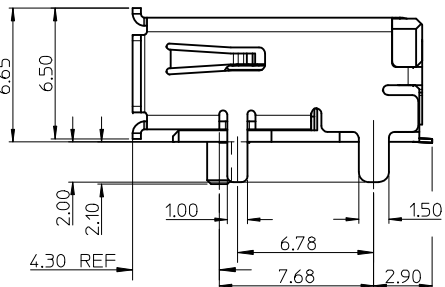
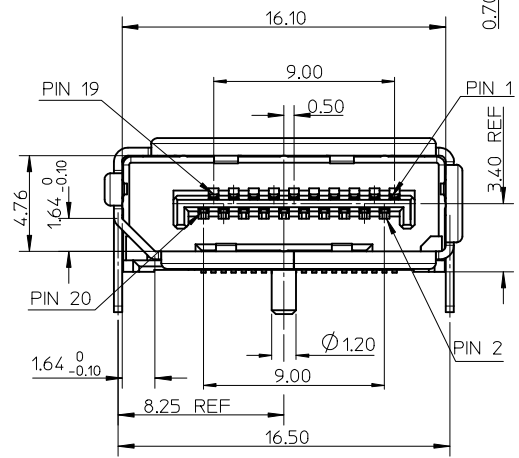
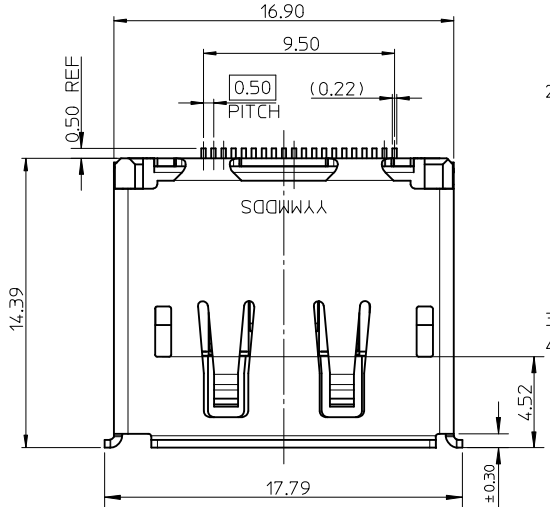
\* DisplayPort is a Trademark of VESA

This document was generated on 05/19/2010

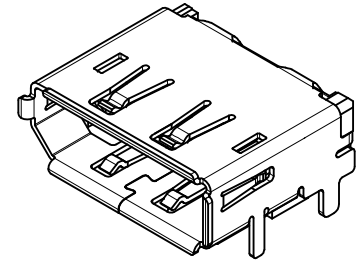
**PLEASE CHECK [WWW.MOLEX.COM](http://WWW.MOLEX.COM) FOR LATEST PART INFORMATION**

NOTES:

1. MATERIAL:  
HOUSING: HIGH TEMPERATURE THERMAL PLASTIC, BLACK, 30% GLASS FILLED, UL94V-0.  
TERMINAL: COPPER ALLOY.  
SHELL: COPPER ALLOY.
2. PLATING:  
TERMINAL: CONTACT AREA(10.76 MICROMETER GOLD PLATING  
(2)0.38 MICROMETER GOLD PLATING  
(3)GOLD FLASH PLATING  
(4)0.64MIN. MICROMETER PALLADIUM/NICKEL AND GOLD FLASH PLATING  
AND SOLDER TAIL 1~3 MICROMETER TIN BISMUTH UNDER PLATE1~3 MICROMETER NICKEL PLATING OVERALL.  
SHELL:(a)1.27~2.54 MICROETER SOLDERABLE NICKEL PLATING OVERALL.  
(b)SHELL PEG SOLDERING SURFACE PLATE GOLD FLASH UNDER PLATE1~3 MICROMETER NICKEL PLATING OVERALL.  
(c) SHELL PLATE 2.1~3.0 MICROMETER TIN UNDER PLATE1.27~2.25 MICROERER NICKEL OVERALL
3. SOLDERTAIL COPLANARITY 0.10 MAX.
4. PS REFER TO PS-47272-001



RECOMMENDED PCB LAYOUT(THICKNESS=1.6±0.15)



<p>NEW RELEASE</p> <p>EC NO: SH2009-0189</p> <p>DRW:BBLY 2008/09/25</p> <p>CHKD:RZHANG 2008/09/26</p> <p>APPR:HWANG 2008/10/28</p> <p>A6</p>	<p>DESCRIPTION</p> <p>REV</p>	<p>QUALITY SYMBOLS</p> <p>▽=0</p> <p>∇=0</p>	<p>GENERAL TOLERANCES (UNLESS SPECIFIED)</p>		<p>DIMENSION STYLE</p> <p>MM ONLY</p>		<p>SCALE</p> <p>1:1</p>	<p>DESIGN UNITS</p> <p>METRIC</p>	<p>THIRD ANGLE PROJECTION</p>	
		<p>4 PLACES ± --- ± ---</p>	<p>mm</p>	<p>INCH</p>	<p>DRAWN BY</p> <p>RZHANG</p>	<p>DATE</p> <p>2005/07/01</p>	<p>TITLE</p> <p>10MM PITCH DISPLAY PORT RECEPTACLE ASSEMBLY</p>			
		<p>3 PLACES ± --- ± ---</p>			<p>CHECKED BY</p> <p>IWANG</p>	<p>DATE</p> <p>2005/07/01</p>	<p>MOLEX INCORPORATED</p>			
		<p>2 PLACES ± 0.25 ± ---</p>			<p>APPROVED BY</p> <p>JNCHEN</p>	<p>DATE</p> <p>2005/07/01</p>	<p>DOCUMENT NO.</p> <p>SD-47272-001</p>			
		<p>1 PLACE ± 0.25 ± ---</p>			<p>ANGULAR ± 3 °</p>		<p>MATERIAL NO.</p> <p>SEE SHEETS</p>		<p>SHEET NO.</p> <p>1 OF 8</p>	

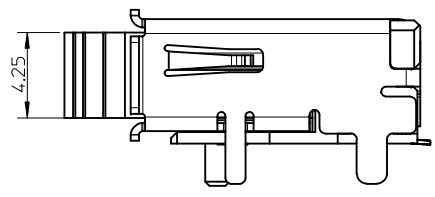
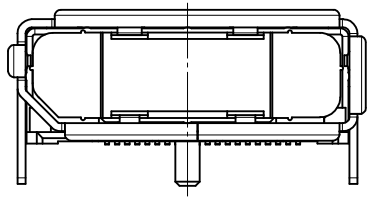
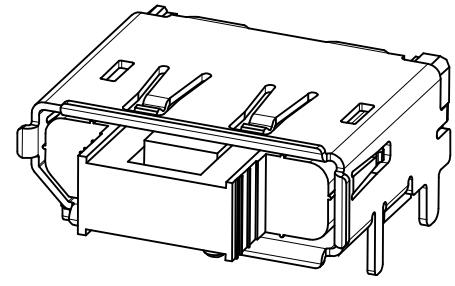
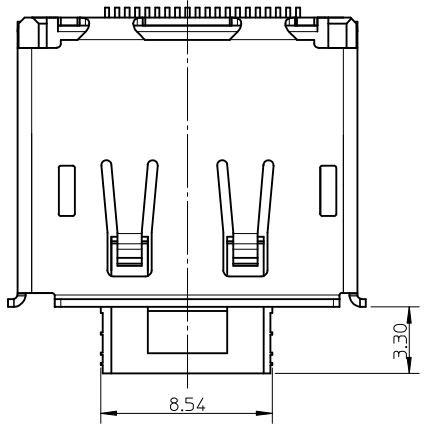
DRAFT WHERE APPLICABLE MUST REMAIN WITHIN DIMENSIONS

SIZE A3

THIS DRAWING CONTAINS INFORMATION THAT IS PROPRIETARY TO MOLEX INCORPORATED AND SHOULD NOT BE USED WITHOUT WRITTEN PERMISSION

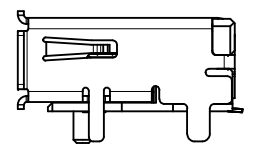
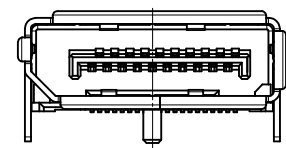
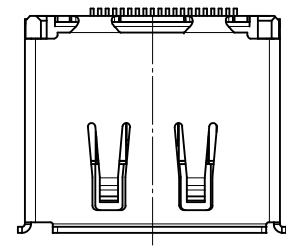
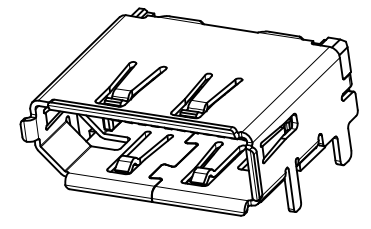
10 9 8 7 6 5 4 3 2 1

WITH COVER



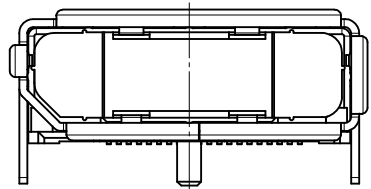
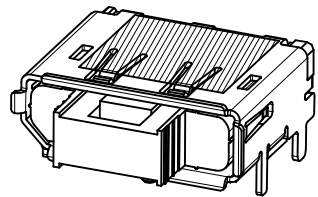
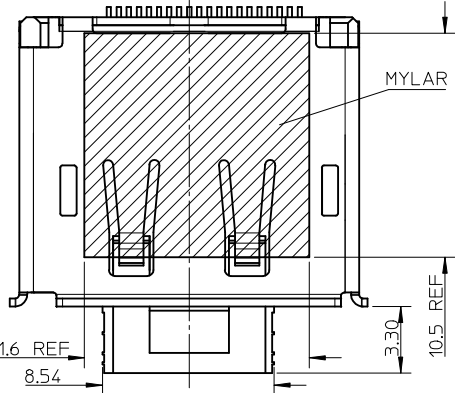
- NOTES:  
 1.UNSPECIFIED DIMENSION ARE SAME AS SHEET1  
 2.CONNECTOR WITH COVER IS USED FOR WARE SOLDERING PEG

WITHOUT LATCH HOLE



- NOTES:  
 1.UNSPECIFIED DIMENSION ARE SAME AS SHEET1

WITH COVER AND MYLAR



- NOTES:  
 1.UNSPECIFIED DIMENSION ARE SAME AS SHEET1  
 2.CONNECTOR WITH COVER IS USED FOR WARE SOLDERING PEG

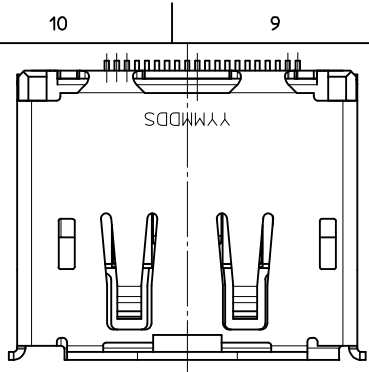
NEW RELEASE	EC NO: SH2009-0189	2008/09/25	DESCRIPTION
	DRWIN:BBLY	2008/09/26	
	CHKD:RZHANG	2008/09/26	
	APPR:HWANG	2008/10/28	
	A6	REV	

QUALITY SYMBOLS	DESCRIPTION
▽=0	
∇=0	

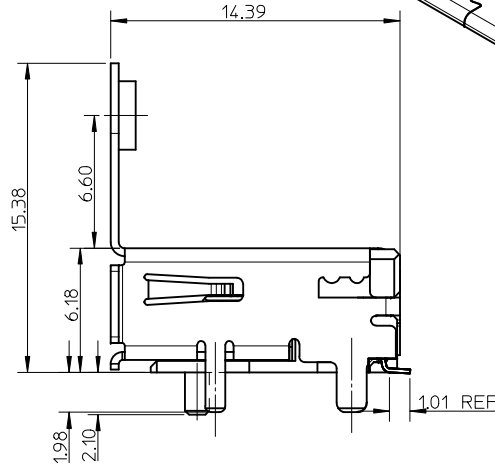
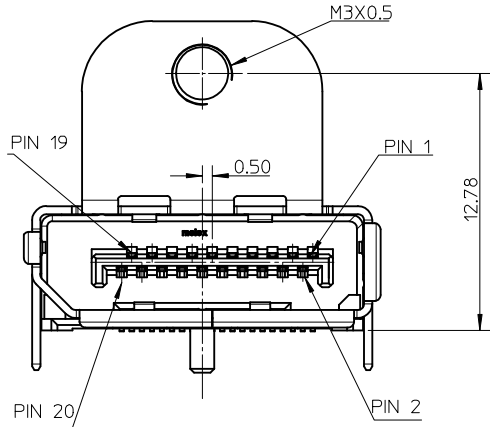
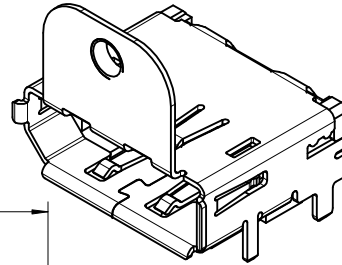
GENERAL TOLERANCES (UNLESS SPECIFIED)	
	mm INCH
4 PLACES	± --- ± ---
3 PLACES	± --- ± ---
2 PLACES	± 0.25 ± ---
1 PLACE	± 0.25 ± ---
ANGULAR ± 3 °	
DRAFT WHERE APPLICABLE MUST REMAIN WITHIN DIMENSIONS	

DIMENSION STYLE		SCALE	DESIGN UNITS	THIRD ANGLE PROJECTION
MM ONLY		1:1	METRIC	
DRAWN BY	DATE	TITLE		
RZHANG	2005/07/01	1.0MM PITCH DISPLAY PORT RECEPTACLE ASSEMBLY		
CHECKED BY	DATE	MOLEX INCORPORATED		
IWANG	2005/07/01	DOCUMENT NO. SD-47272-001		
APPROVED BY	DATE	SHEET NO. 2 OF 8		
JNCHEN	2005/07/01	THIS DRAWING CONTAINS INFORMATION THAT IS PROPRIETARY TO MOLEX INCORPORATED AND SHOULD NOT BE USED WITHOUT WRITTEN PERMISSION		
MATERIAL NO.	SEE SHEETS 5			

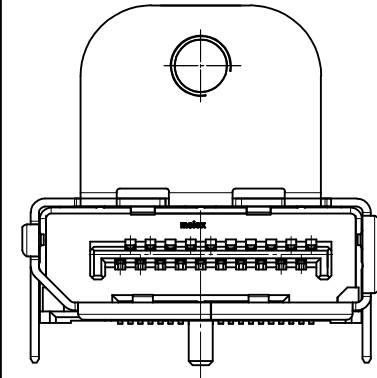
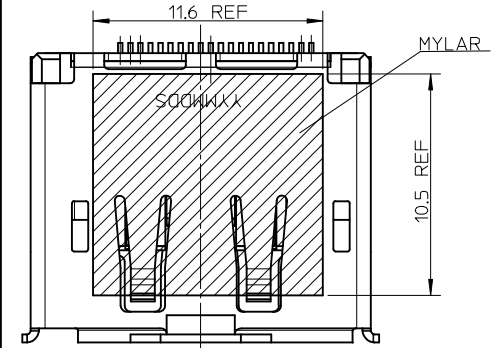
9 8 7 6 5 4 3



WITH FLANGE AND THROUGH HOLE PEG

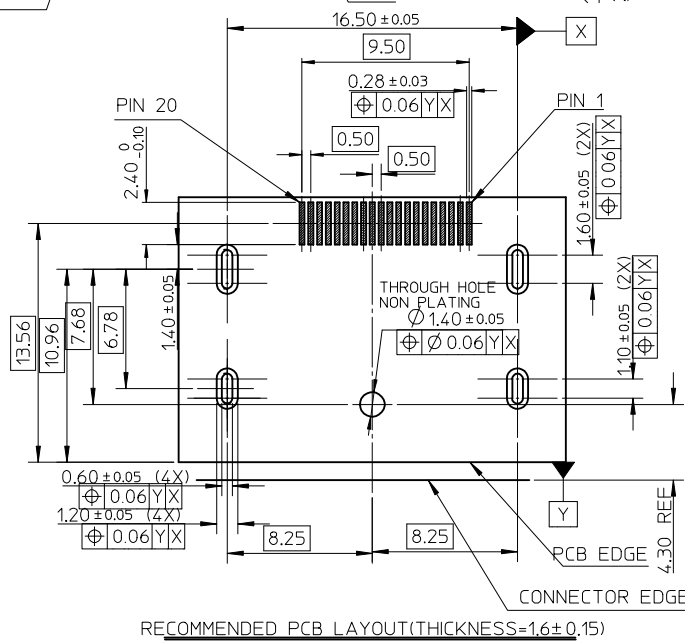


WITH MYLAR



NOTES:  
UNSPECIFIED DIMENSION ARE SAME AS SHEET1

NOTES:  
UNSPECIFIED DIMENSION ARE SAME AS SHEET1



NEW RELEASE EC NO: SH2009-0189 DRW:BBLY 2008/09/25 CHKD:RZHANG 2008/09/26 APPR:HWANG 2008/10/28	QUALITY SYMBOLS	GENERAL TOLERANCES (UNLESS SPECIFIED)	DIMENSION STYLE	SCALE	DESIGN UNITS	THIRD ANGLE PROJECTION														
	$\nabla = 0$ $\epsilon = 0$	<table border="1"> <thead> <tr> <th></th> <th>mm</th> <th>INCH</th> </tr> </thead> <tbody> <tr> <td>4 PLACES</td> <td>± ---</td> <td>± ---</td> </tr> <tr> <td>3 PLACES</td> <td>± ---</td> <td>± ---</td> </tr> <tr> <td>2 PLACES</td> <td>± 0.25</td> <td>± ---</td> </tr> <tr> <td>1 PLACE</td> <td>± 0.25</td> <td>± ---</td> </tr> </tbody> </table>		mm	INCH	4 PLACES	± ---	± ---	3 PLACES	± ---	± ---	2 PLACES	± 0.25	± ---	1 PLACE	± 0.25	± ---	MM ONLY	1:1	METRIC
	mm	INCH																		
4 PLACES	± ---	± ---																		
3 PLACES	± ---	± ---																		
2 PLACES	± 0.25	± ---																		
1 PLACE	± 0.25	± ---																		

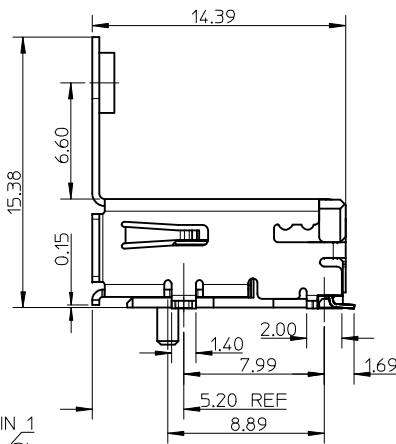
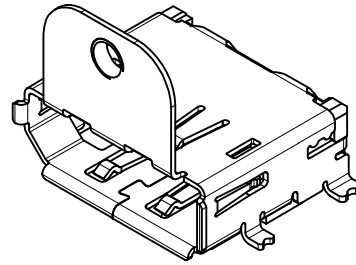
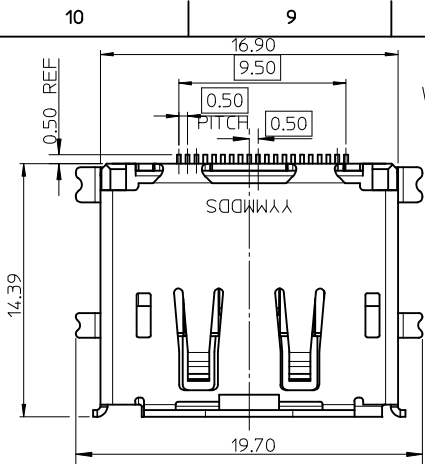
DRAWN BY RZHANG	DATE	2005/07/01
	CHECKED BY IWANG	DATE
APPROVED BY JNCHEN	DATE	2005/07/01
MATERIAL NO.	SEE SHEETS	

TITLE	1.0MM PITCH DISPLAY PORT RECEPTACLE ASSEMBLY	
MATERIAL NO.	SEE SHEETS	
DOCUMENT NO.	SD-47272-001	
SHEET NO.	3 OF 8	

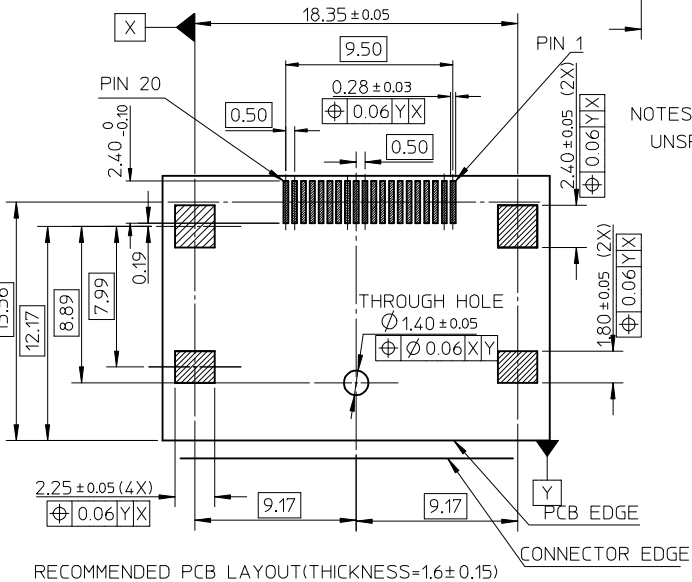
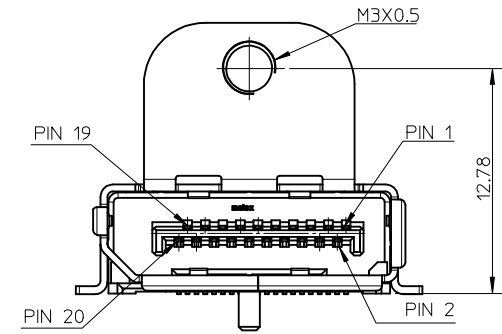
SIZE	A3	
THIS DRAWING CONTAINS INFORMATION THAT IS PROPRIETARY TO MOLEX INCORPORATED AND SHOULD NOT BE USED WITHOUT WRITTEN PERMISSION		

RECOMMENDED PCB LAYOUT (THICKNESS=1.6±0.15)

WITH FLANGE AND SMT PEG

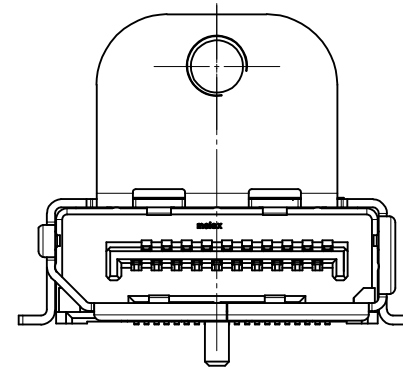
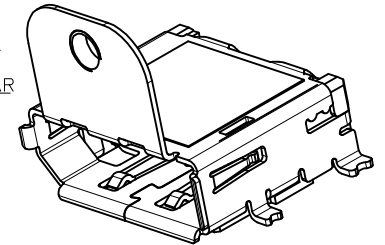
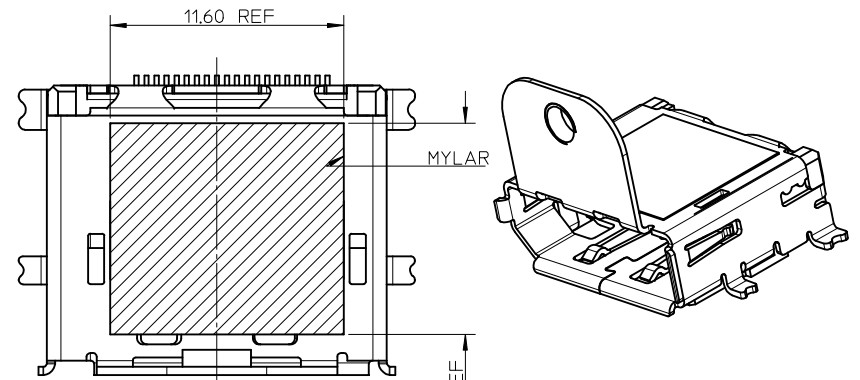


NOTES:  
UNSPECIFIED DIMENSION ARE SAME AS SHEET 1



RECOMMENDED PCB LAYOUT (THICKNESS=1.6±0.15)

WITH FLANGE AND MYLAR



NOTES:  
1. UNSPECIFIED DIMENSION ARE SAME AS SHEET 1  
2. THE RECOMMENDER PCB ARE SAME AS LEFT RECMENDER PCB

NEW RELEASE EC NO: SH2009-0189 DRWN: BBLV CHKD: RZHANG APPR: HWANG	2008/09/25	2008/09/26	2008/10/28
	DESCRIPTION	QUALITY SYMBOLS	
	▽=0	▽=0	
	△=0		

GENERAL TOLERANCES (UNLESS SPECIFIED)	
mm	INCH
4 PLACES ± ---	± ---
3 PLACES ± ---	± ---
2 PLACES ± 0.25	± ---
1 PLACE ± 0.25	± ---
ANGULAR ± 3 °	
DRAFT WHERE APPLICABLE MUST REMAIN WITHIN DIMENSIONS	

DIMENSION STYLE	
MM ONLY	
DRAWN BY	DATE
RZHANG	2005/07/01
CHECKED BY	DATE
IWANG	2005/07/01
APPROVED BY	DATE
JNCHEN	2005/07/01
MATERIAL NO.	
SEE SHEET 5	

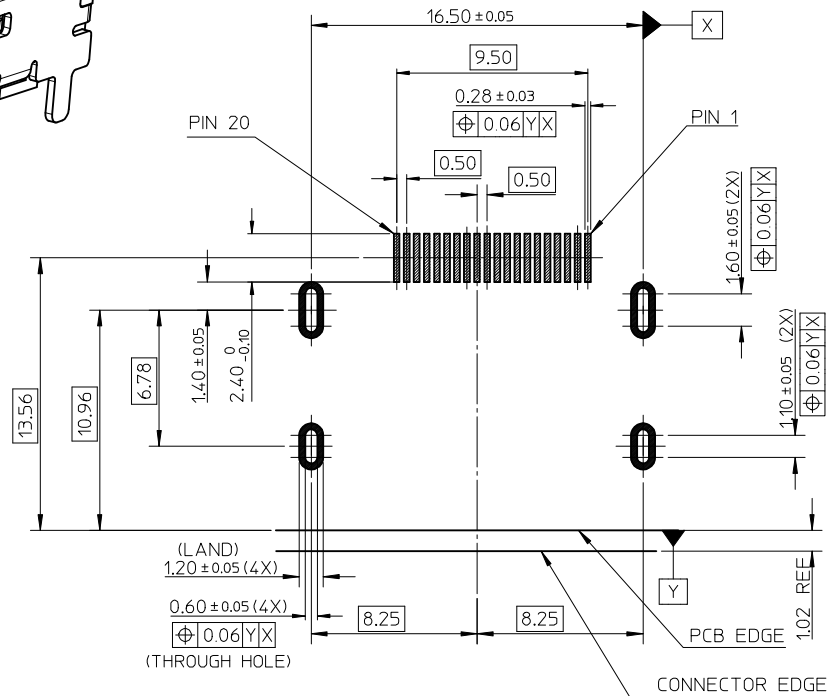
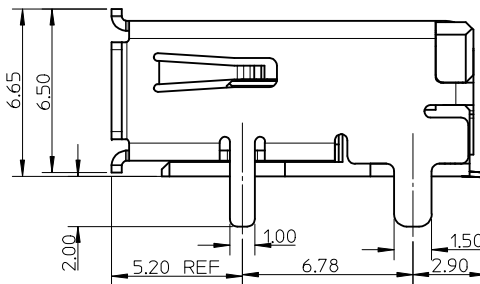
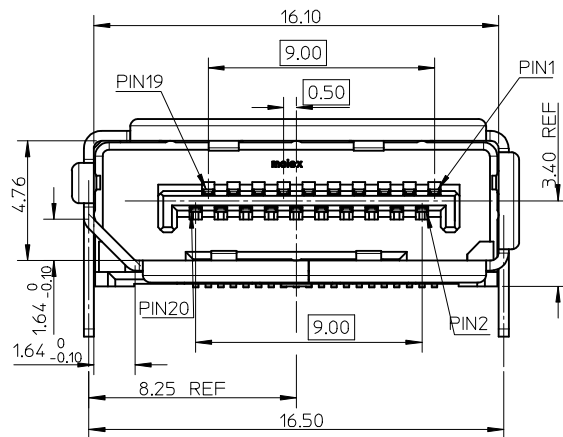
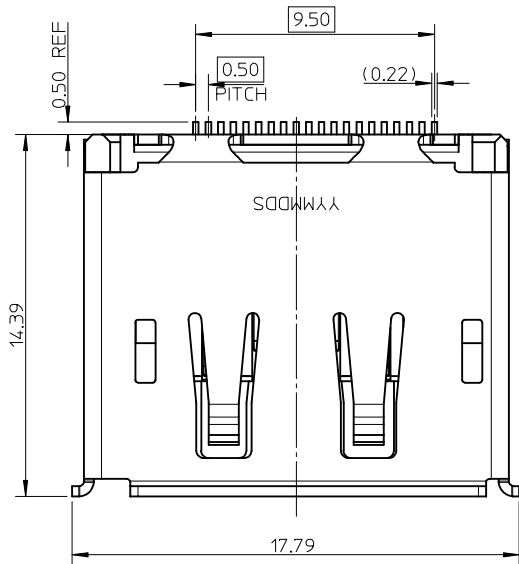
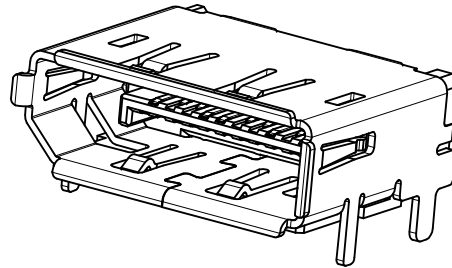
SCALE	DESIGN UNITS	THIRD ANGLE PROJECTION
1:1	METRIC	
TITLE		
1.0MM PITCH DISPLAY PORT RECEPTACLE ASSEMBLY		
MOLEX INCORPORATED		SHEET NO.
DOCUMENT NO. SD-47272-001		4 OF 8
THIS DRAWING CONTAINS INFORMATION THAT IS PROPRIETARY TO MOLEX INCORPORATED AND SHOULD NOT BE USED WITHOUT WRITTEN PERMISSION		

10	9	8	7	6	5	4	3	2	1		
ASSEMBLY NO.	WITH COVER	WITH FLANGE	SMT PEG OF SHELL	THROUGH HOLE PEG OF SHELL	PLATING IN CONTACT AREA	SHELL PLATING	WITH LATCH HOLE	MYLAR	POST	PACKAGE METHOD	REMARK
47272-0001	WITHOUT	WITHOUT	/	WITH	SEE NOTE2(1)	SEE NOTE2(a)	WITH	WITHOUT	WITH		FOR SHEET 1
47272-0002	WITHOUT	WITHOUT	/	WITH	SEE NOTE2(1)	SEE NOTE2(a)	WITH	WITHOUT	WITH		
47272-0011	WITHOUT	WITHOUT	/	WITH	SEE NOTE2(2)	SEE NOTE2(a)	WITH	WITHOUT	WITH		
47272-0021	WITHOUT	WITHOUT	/	WITH	SEE NOTE2(3)	SEE NOTE2(a)	WITH	WITHOUT	WITH		FOR SHEET 2
47272-0003	WITHOUT	WITHOUT	/	WITH	SEE NOTE2(1)	SEE NOTE2(a)	WITHOUT	WITHOUT	WITH		
47272-1002	WITH	WITHOUT	/	WITH	SEE NOTE2(1)	SEE NOTE2(a)	WITH	WITHOUT	WITH		
47272-0012	WITH	WITHOUT	/	WITH	SEE NOTE2(2)	SEE NOTE2(a)	WITH	WITHOUT	WITH		FOR SHEET 3
47272-0022	WITH	WITHOUT	/	WITH	SEE NOTE2(3)	SEE NOTE2(a)	WITH	WITHOUT	WITH		
47272-0024	WITH	WITHOUT	/	WITH	SEE NOTE2(1)	SEE NOTE2(a)	WITH	WITH	WITH		
47272-0004	WITH	WITH	/	WITH	SEE NOTE2(1)	SEE NOTE2(c)	WITH	WITHOUT	WITH		FOR SHEET 3
47272-1004	WITHOUT	WITH	/	WITH	SEE NOTE2(1)	SEE NOTE2(c)	WITH	WITHOUT	WITH		
47272-0025	WITHOUT	WITH	/	WITH	SEE NOTE2(1)	SEE NOTE2(c)	WITH	WITH	WITH		
47272-0028	WITHOUT	WITH	/	WITH	SEE NOTE2(3)	SEE NOTE2(c)	WITH	WITH	WITH		FOR SHEET 4
47272-1005	WITHOUT	WITH	SMT PEG	/	SEE NOTE2(1)	SEE NOTE2(c)	WITH	WITHOUT	WITH		
47272-0023	WITHOUT	WITH	SMT PEG	/	SEE NOTE2(1)	SEE NOTE2(c)	WITH	WITH	WITH		
47272-0026	WITHOUT	WITHOUT	/	WITH	SEE NOTE2(1)	SEE NOTE2(a)	WITH	WITHOUT	WITHOUT		FOR SHEET 6
47272-0027	WITH	WITH	/	WITH	SEE NOTE2(1)	SEE NOTE2(c)	WITH	WITH	WITH		FOR SHEET 7
47272-0201	WITHOUT	WITHOUT	/	WITH	SEE NOTE2(4)	SEE NOTE2(a)	WITH	WITHOUT	WITH		FOR SHEET 1
47272-0029	WITHOUT	WITHOUT		WITH	SEE NOTE2(1)	SEE NOTE2(a)	WITH	WITH	WITH		FOR SHEET 8

B

<b>NEW RELEASE</b> EC NO: SH2009-0189 DRINK:BBLY 2008/09/25 CHKD:RZHANG 2008/09/26 APPR:HWANG 2008/10/28	DESCRIPTION REV	QUALITY SYMBOLS =0 =0	GENERAL TOLERANCES (UNLESS SPECIFIED) <table border="1"> <thead> <tr> <th></th> <th>mm</th> <th>INCH</th> </tr> </thead> <tbody> <tr> <td>4 PLACES</td> <td>± ---</td> <td>± ---</td> </tr> <tr> <td>3 PLACES</td> <td>± ---</td> <td>± ---</td> </tr> <tr> <td>2 PLACES</td> <td>± 0.25</td> <td>± ---</td> </tr> <tr> <td>1 PLACE</td> <td>± 0.25</td> <td>± ---</td> </tr> </tbody> </table>		mm	INCH	4 PLACES	± ---	± ---	3 PLACES	± ---	± ---	2 PLACES	± 0.25	± ---	1 PLACE	± 0.25	± ---	DIMENSION STYLE <b>MM ONLY</b> DRAWN BY: RZHANG DATE: 2005/07/01 CHECKED BY: IWANG DATE: 2005/07/01 APPROVED BY: JNCHEN DATE: 2005/07/01	SCALE: 1:1 DESIGN UNITS: METRIC THIRD ANGLE PROJECTION	TITLE: 1.0MM PITCH DISPLAY PORT RECEPTACLE ASSEMBLY MOLEX INCORPORATED MATERIAL NO. SEE CHART DOCUMENT NO. SD-47272-001
			mm	INCH																	
		4 PLACES	± ---	± ---																	
		3 PLACES	± ---	± ---																	
2 PLACES	± 0.25	± ---																			
1 PLACE	± 0.25	± ---																			
DRAFT WHERE APPLICABLE MUST REMAIN WITHIN DIMENSIONS			SIZE: A3 THIS DRAWING CONTAINS INFORMATION THAT IS PROPRIETARY TO MOLEX INCORPORATED AND SHOULD NOT BE USED WITHOUT WRITTEN PERMISSION	SHEET NO. 5 OF 8																	

WITHOUT POST

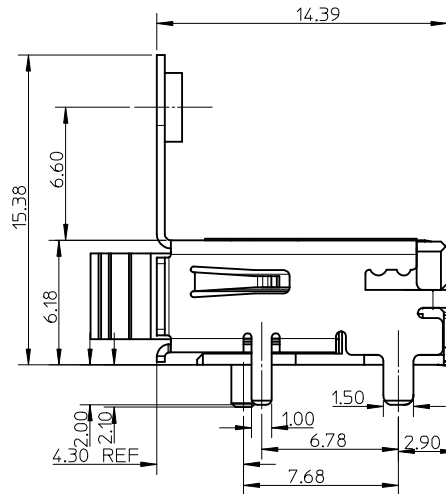
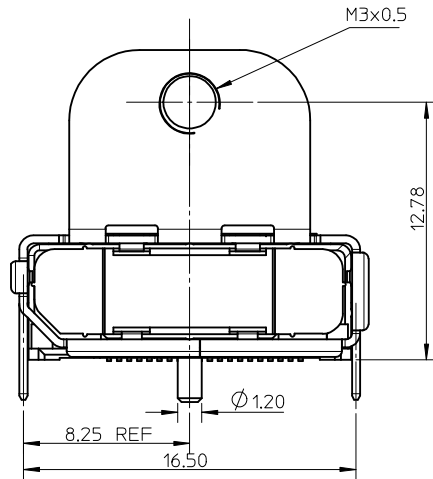
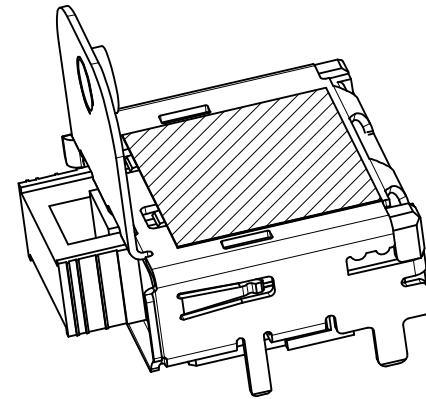
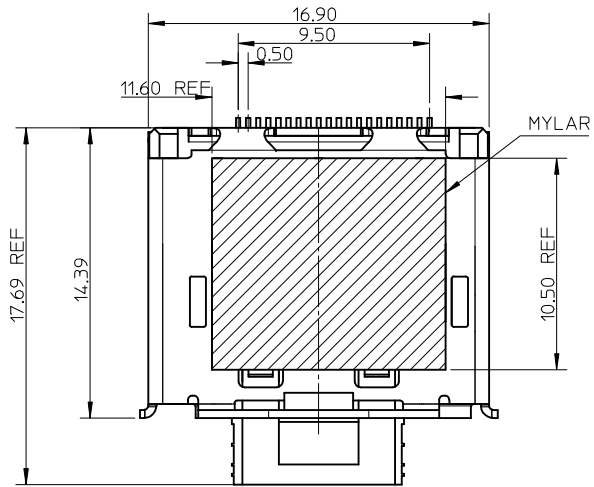


RECOMMENDED PCB LAYOUT (THICKNESS=1.6±0.15)

NOTES:  
UNSPECIFIED DIMENSION ARE SAME AS SHEET 1

<b>NEW RELEASE</b> EC NO: SH2009-0189 DRW: BBLV CHY: KDRZHANG APPR: HWANG 2008/09/25 2008/09/26 2008/10/28	QUALITY SYMBOLS ▽=0 ◻=0	GENERAL TOLERANCES (UNLESS SPECIFIED) mm INCH 4 PLACES ± --- ± --- 3 PLACES ± --- ± --- 2 PLACES ± 0.25 ± --- 1 PLACE ± 0.25 ± --- ANGULAR ± 3 °	DIMENSION STYLE MM ONLY DRAWN BY: RZHANG DATE: 2005/07/01 CHECKED BY: IWANG DATE: 2005/07/01 APPROVED BY: JNCHEN DATE: 2005/07/01 MATERIAL NO.	SCALE: 1:1 DESIGN UNITS: METRIC THIRD ANGLE PROJECTION	TITLE: 1.0MM PITCH DISPLAY PORT RECEPTACLE ASSEMBLY MOLEX INCORPORATED DOCUMENT NO. SD-47272-001 SHEET NO. 6 OF 8
	DRAFT WHERE APPLICABLE MUST REMAIN WITHIN DIMENSIONS	SEE SHEETS 5	THIS DRAWING CONTAINS INFORMATION THAT IS PROPRIETARY TO MOLEX INCORPORATED AND SHOULD NOT BE USED WITHOUT WRITTEN PERMISSION		
	SIZE: A6				



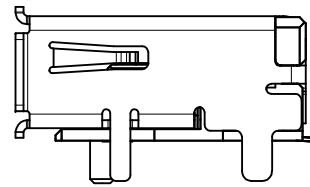
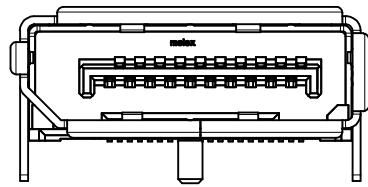
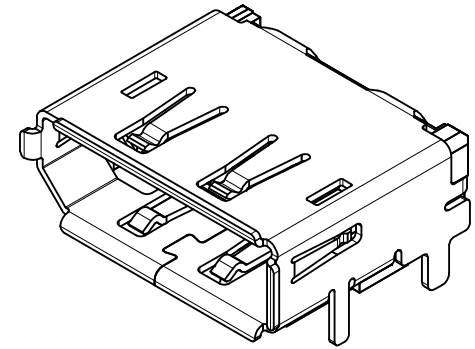
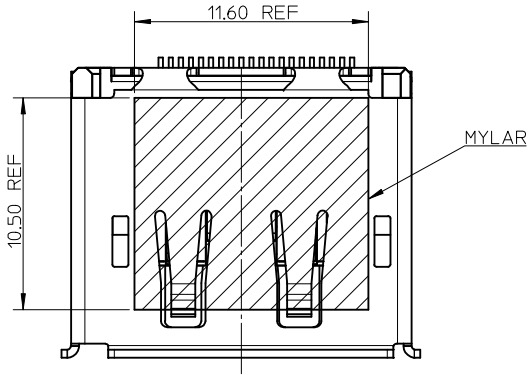


NOTES:

1. UNSPECIFIC DIMENSION ARE SAME AS SHEET1
2. THE RECOMMENDER PCB ARE SAME AS SHEET1

<p><b>NEW RELEASE</b>          EC NO: SHZ009-0189          DRW:BBLY          CHKD:RZHANG          APPR:HWANG</p>	<p>2008/09/25          2008/09/26          2008/10/28</p>	<p>DESCRIPTION          REV</p>	QUALITY SYMBOLS	GENERAL TOLERANCES (UNLESS SPECIFIED)	DIMENSION STYLE	SCALE	DESIGN UNITS	THIRD ANGLE PROJECTION																							
			<p>▽=0          □=0</p>	<table border="1"> <thead> <tr> <th></th> <th>mm</th> <th>INCH</th> </tr> </thead> <tbody> <tr> <td>4 PLACES</td> <td>± ---</td> <td>± ---</td> </tr> <tr> <td>3 PLACES</td> <td>± ---</td> <td>± ---</td> </tr> <tr> <td>2 PLACES</td> <td>± 0.25</td> <td>± ---</td> </tr> <tr> <td>1 PLACE</td> <td>± 0.25</td> <td>± ---</td> </tr> </tbody> </table>		mm	INCH	4 PLACES	± ---	± ---	3 PLACES	± ---	± ---	2 PLACES	± 0.25	± ---	1 PLACE	± 0.25	± ---	MM ONLY	1:1	METRIC									
				mm	INCH																										
			4 PLACES	± ---	± ---																										
3 PLACES	± ---	± ---																													
2 PLACES	± 0.25	± ---																													
1 PLACE	± 0.25	± ---																													
	<table border="1"> <thead> <tr> <th></th> <th>mm</th> <th>INCH</th> </tr> </thead> <tbody> <tr> <td>4 PLACES</td> <td>± ---</td> <td>± ---</td> </tr> <tr> <td>3 PLACES</td> <td>± ---</td> <td>± ---</td> </tr> <tr> <td>2 PLACES</td> <td>± 0.25</td> <td>± ---</td> </tr> <tr> <td>1 PLACE</td> <td>± 0.25</td> <td>± ---</td> </tr> </tbody> </table>		mm	INCH	4 PLACES	± ---	± ---	3 PLACES	± ---	± ---	2 PLACES	± 0.25	± ---	1 PLACE	± 0.25	± ---	<table border="1"> <thead> <tr> <th></th> <th>DATE</th> <th>TITLE</th> </tr> </thead> <tbody> <tr> <td>DRAWN BY</td> <td>2005/07/01</td> <td rowspan="2">1.0MM PITCH DISPLAY PORT RECEPTACLE ASSEMBLY</td> </tr> <tr> <td>CHECKED BY</td> <td>2005/07/01</td> </tr> <tr> <td>APPROVED BY</td> <td>2005/07/01</td> <td></td> </tr> </tbody> </table>		DATE	TITLE	DRAWN BY	2005/07/01	1.0MM PITCH DISPLAY PORT RECEPTACLE ASSEMBLY	CHECKED BY	2005/07/01	APPROVED BY	2005/07/01				
	mm	INCH																													
4 PLACES	± ---	± ---																													
3 PLACES	± ---	± ---																													
2 PLACES	± 0.25	± ---																													
1 PLACE	± 0.25	± ---																													
	DATE	TITLE																													
DRAWN BY	2005/07/01	1.0MM PITCH DISPLAY PORT RECEPTACLE ASSEMBLY																													
CHECKED BY	2005/07/01																														
APPROVED BY	2005/07/01																														
			ANGULAR ± 3 °	DRAFT WHERE APPLICABLE MUST REMAIN WITHIN DIMENSIONS	SEE SHEET 5		MOLEX INCORPORATED																								
A6					SIZE A3		DOCUMENT NO. SD-47272-001	SHEET NO. 7 OF 8																							

10 9 8 7 6 5 4 3 2 1



NOTES:  
 1. UNSPECIFIC DIMENSION ARE SAME AS SHEET1  
 2. THE RECOMMENDER PCB ARE SAME AS SHEET1

NEW RELEASE EC NO: SHZ009-0189 DRW:BBLY CHKD:RZHANG APPR:HWANG 2008/09/25 2008/09/26 2008/10/28	DESCRIPTION REV	QUALITY SYMBOLS	GENERAL TOLERANCES (UNLESS SPECIFIED)		DIMENSION STYLE MM ONLY		SCALE 1:1	DESIGN UNITS METRIC	THIRD ANGLE PROJECTION	
		$\nabla=0$ $\square=0$	mm	INCH	DRAWN BY RZHANG	DATE 2005/07/01	TITLE 1.0MM PITCH DISPLAY PORT RECEPTACLE ASSEMBLY			
		4 PLACES	± ---	± ---	CHECKED BY IWANG	DATE 2005/07/01	MOLEX INCORPORATED DOCUMENT NO. SD-47272-001 SHEET NO. 8 OF 8			
		3 PLACES	± ---	± ---	APPROVED BY JNCHEN	DATE 2005/07/01				
2 PLACES	± 0.25	± ---	ANGULAR ± 3 °		MATERIAL NO. SEE SHEET 5		THIS DRAWING CONTAINS INFORMATION THAT IS PROPRIETARY TO MOLEX INCORPORATED AND SHOULD NOT BE USED WITHOUT WRITTEN PERMISSION			
1 PLACE	± 0.25	± ---	DRAFT WHERE APPLICABLE MUST REMAIN WITHIN DIMENSIONS		SIZE A3					

9 8 7 6 5 4 3 2 1