



SERIES: VOF-6

DESCRIPTION: SWITCHING POWER SUPPLY

FEATURES

- Universal ac input
- No minimum load required
- UL/cUL, TUV, CE safety approvals
- conducted EMI meets EN55022 class B, FCC class B
- efficiency up to 80%



MODEL	output voltage	output current	output power	ripple & noise	efficiency
	max (V dc)	max (A)	max (W)	max (mVp-p)	typ (%)
VOF-6-3.3	3.3	1.20	3.96	100	69
VOF-6-5	5	1.20	6	100	73
VOF-6-12	12	0.50	6	120	77
VOF-6-15	15	0.40	6	150	78
VOF-6-24	24	0.25	6	240	80

notes: 1. measured from high line to low line at full load
 2. measured from full load to 10% load at 110 V ac
 3. ripple and noise are measured at 20 MHz bandwidth with 47 µF ceramic and 100 nF electrolytic capacitors on the output

INPUT

parameter	conditions/description	min	nom	max	units
input voltage range		85		264	V ac
		120		375	V dc
frequency range		47		63	Hz
input current				0.6	A
inrush current	at 110 V ac, cool start		10		A
	at 220 V ac, cool start		20		A



SERIES: VOF-6

DESCRIPTION: SWITCHING POWER SUPPLY

OUTPUT

parameter	conditions/description	min	nom	max	units
line regulation	3.3 V model			±0.6 ±0.5	% %
load regulation	3.3 V model			±1.2 ±1	% %
hold-up time	115 V ac		6		ms
temperature coefficient			±0.05		%/°C
over voltage protection	by TVS clamping				
over current protection	auto recovery			105	%

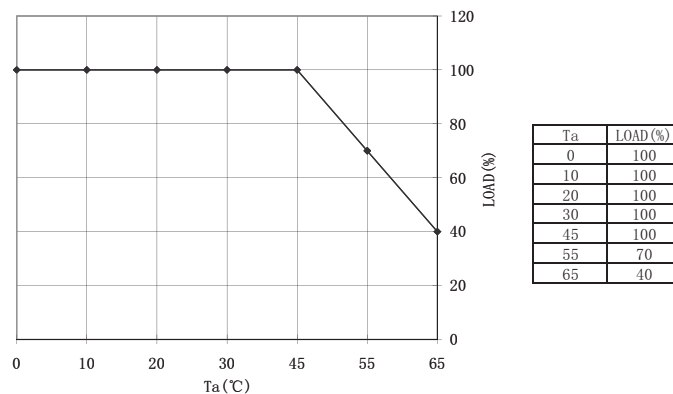
SAFETY & COMPLIANCE

parameter	conditions/description	min	nom	max	units
HI-POT	input to output at 10 mA for 1 minute			3,000	V ac
insulation resistance	input to output at 500 V dc @ 25°C	50			MΩ
safety approvals	UL60950-1, CSA60950-1, EN60950-1, Class II, CE				
EMC/EMI	EN55022-B, FCC class B				
leakage current				0.25	mA
RoHS compliant	yes				

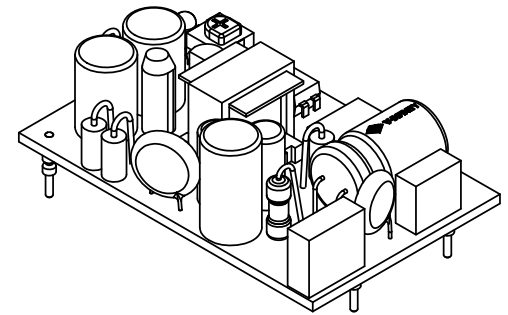
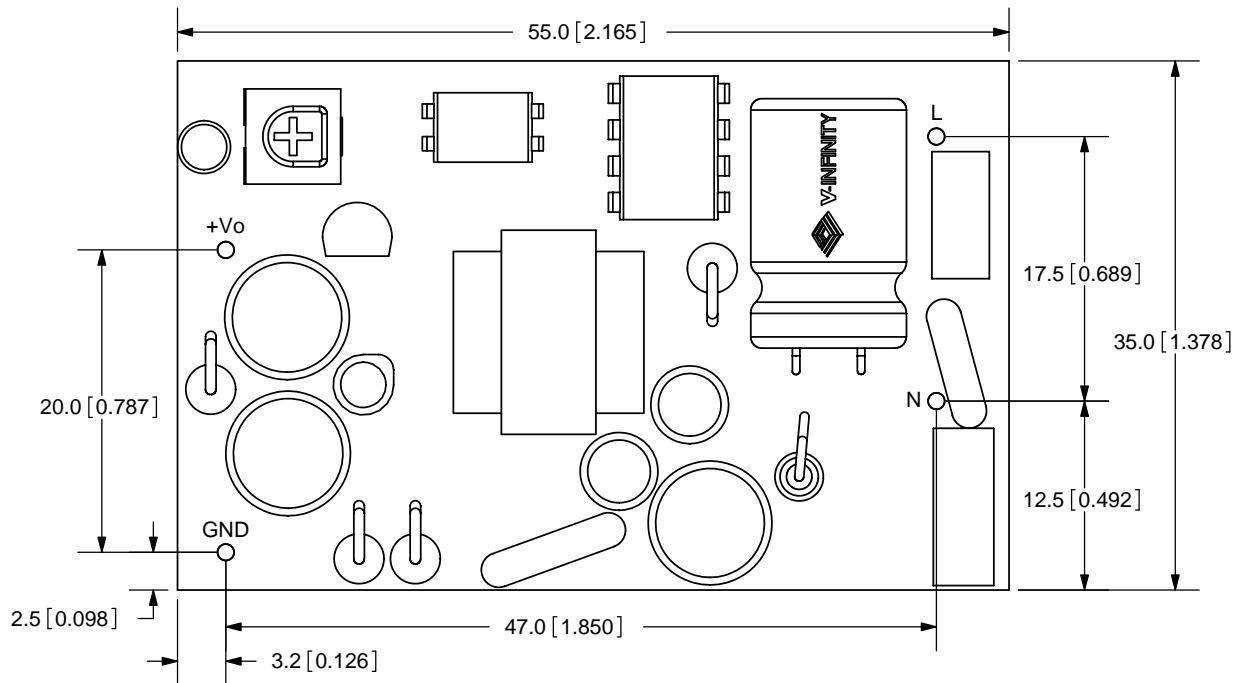
ENVIRONMENTAL

parameter	conditions/description	min	nom	max	units
operating temperature		0		45	°C
operating humidity		20		90	%
storage temperature		-20		85	°C
storage humidity		20		90	%

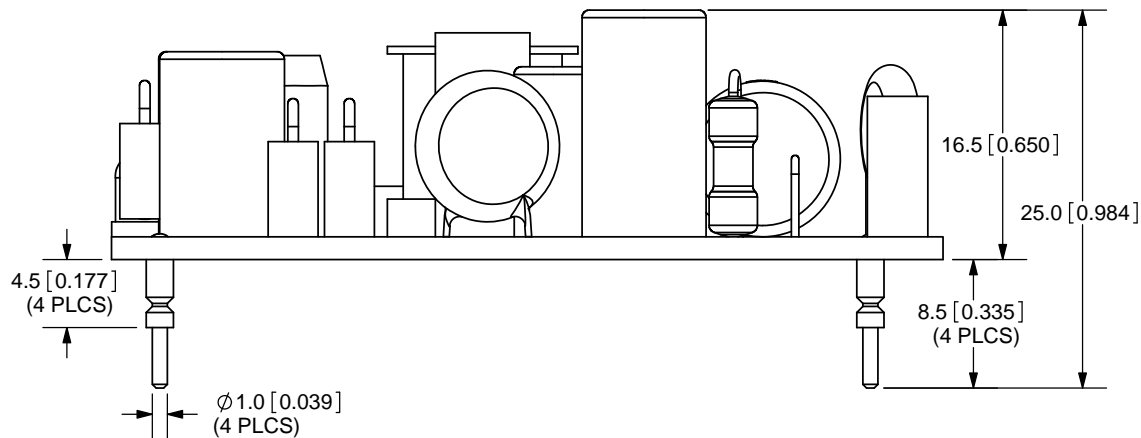
DERATING CURVE



REV.	DESCRIPTION	DATE
A	NEW DRAWING	12/22/2010



SCALE: 1:1



TOLERANCE:
±0.3mm UNLESS OTHERWISE
SPECIFIED



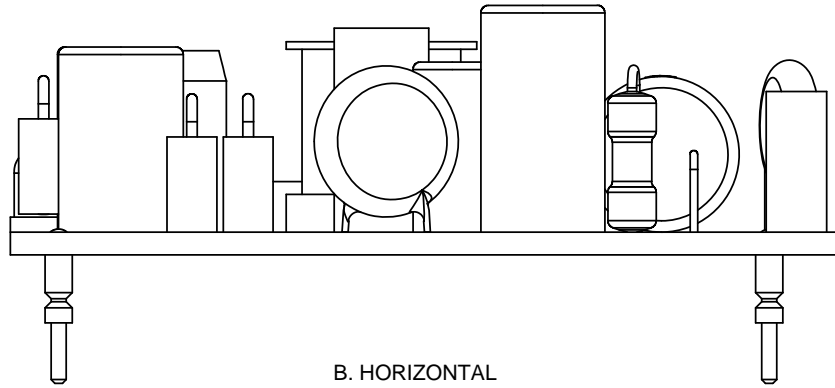
20050 SW 112th Ave.
Tualatin, OR 97062
Phone: 503-612-2300
800-275-4899
Fax: 503-612-2383
Website: www.cui.com

TITLE: SWITCHING POWER SUPPLY		REV: A
PART NO. VOF-6		UNITS: MM [INCHES]
DRAWN BY: ZRJ	APPROVED BY:	SCALE: 2:1

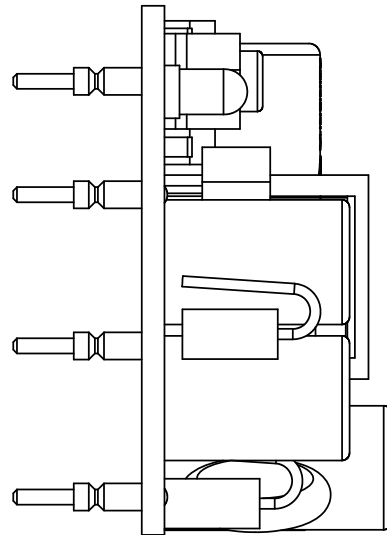
PC FILE NAME:
VOF-6

COPYRIGHT 2010 BY CUI INC.

REV.	DESCRIPTION	DATE
A	NEW DRAWING	12/22/2010



B. HORIZONTAL



A. VERTICAL

TOLERANCE:
±0.3mm UNLESS OTHERWISE
SPECIFIED



CUI INC

20050 SW 112th Ave.
Tualatin, OR 97062
Phone: 503-612-2300
800-275-4899
Fax: 503-612-2383
Website: www.cui.com

TITLE: SWITCHING POWER SUPPLY		REV: A
PART NO. VOF-6		UNITS: MM [INCHES]
DRAWN BY: ZRJ	APPROVED BY:	SCALE: 2:1

PC FILE NAME:
VOF-6

COPYRIGHT 2010 BY CUI INC.