

PLEASE CHECK WWW.MOLEX.COM FOR LATEST PART INFORMATION

Part Number: [0674921121](#)
Status: **Active**
Overview: serial ata 127 host receptacles
Description: 1.27mm (.050") Pitch Serial ATA Host Receptacle, Right Angle, SMT, Mating Height 3.55mm (.140"), 0.76µm (30µ") Gold (Au) Plating, Tray Packaging, 22 Circuits, Lead Free

Documents:

[3D Model](#) [Product Specification PS-67492-001 \(PDF\)](#)
[Drawing \(PDF\)](#) [RoHS Certificate of Compliance \(PDF\)](#)

General

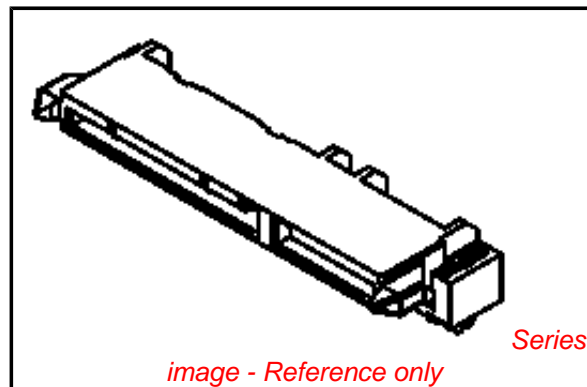
| | |
|----------------|---|
| Product Family | PCB Receptacles |
| Series | 67492 |
| Application | Board-to-Board |
| Overview | serial ata 127 host receptacles |
| Product Name | Serial ATA |

Physical

| | |
|--------------------------------|--------------------------------|
| Circuits (Loaded) | 22 |
| Circuits (maximum) | 22 |
| Color - Resin | Black |
| Durability (mating cycles max) | 500 |
| Glow-Wire Compliant | No |
| Guide to Mating Part | Yes |
| Keying to Mating Part | Yes |
| Lock to Mating Part | None |
| Material - Metal | Copper Alloy |
| Material - Plating Mating | Gold |
| Material - Plating Termination | Tin |
| Material - Resin | High Temperature Thermoplastic |
| Number of Rows | 1 |
| Orientation | Right Angle |
| PCB Locator | Yes |
| PCB Retention | Yes |
| PCB Thickness Recommended (in) | 0.045 In |
| PCB Thickness Recommended (mm) | 1.20 mm |
| Packaging Type | Tray |
| Pitch - Mating Interface (in) | 0.050 In |
| Pitch - Mating Interface (mm) | 1.27 mm |
| Pitch - Term. Interface (in) | 0.050 In |
| Pitch - Term. Interface (mm) | 1.27 mm |
| Plating min: Mating (µin) | 30 |
| Plating min: Mating (µm) | 0.76 |
| Plating min: Termination (µin) | 50 |
| Plating min: Termination (µm) | 1.27 |
| Polarized to Mating Part | Yes |
| Polarized to PCB | Yes |
| Stackable | No |
| Temperature Range - Operating | -35°C to +85°C |
| Termination Interface: Style | Surface Mount |

Electrical

| | |
|-------------------------------|--------|
| Current - Maximum per Contact | 1.5A |
| Voltage - Maximum | 15V DC |



EU RoHS

ELV and RoHS Compliant
REACH SVHC
 Not Reviewed
Halogen-Free Status

China RoHS



Not Reviewed

Need more information on product environmental compliance?

Email productcompliance@molex.com
 For a multiple part number RoHS Certificate of Compliance, [click here](#)

Please visit the [Contact Us](#) section for any non-product compliance questions.

Search Parts in this Series

[67492Series](#)

Mates With

[87703](#) , [87672](#) Serial ATA Plugs

Solder Process Data

Lead-free Process Capability
Process Temperature max. C

Reflow Capable (SMT only)
230

Material Info**Reference - Drawing Numbers**

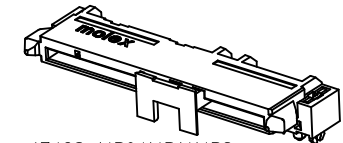
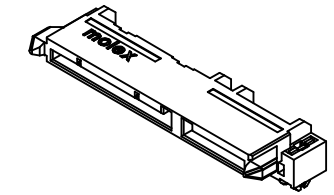
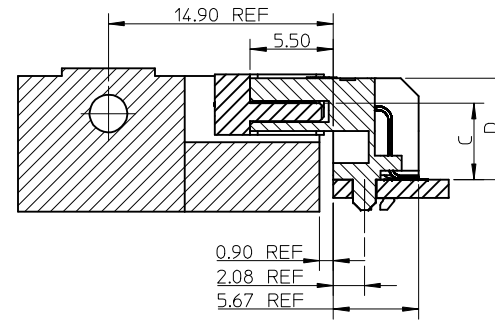
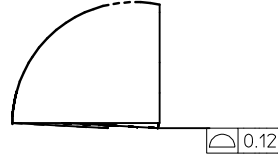
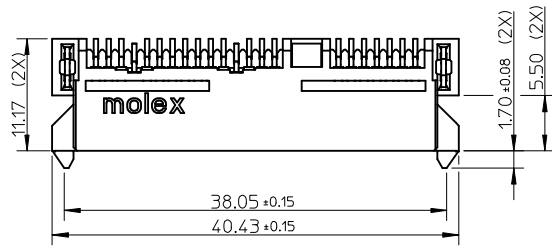
Packaging Specification
Product Specification
Sales Drawing

PK-67492-001
PS-67492-001
SD-67492-001

This document was generated on 05/31/2010

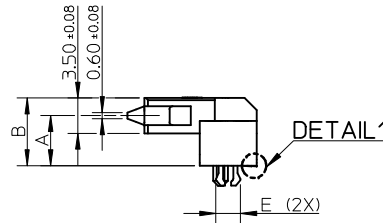
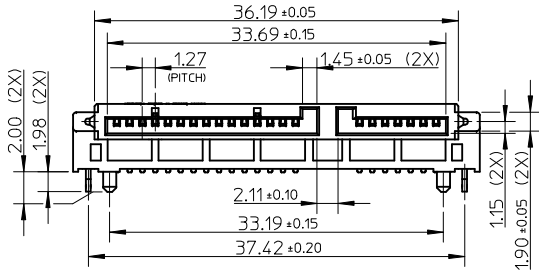
PLEASE CHECK WWW.MOLEX.COM FOR LATEST PART INFORMATION

F



67492-1430/1431/1432
/1325/1326/1327
/1440/1441/1442
/1224/1225/1226
/1450/1451/1452.

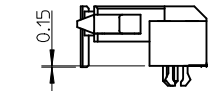
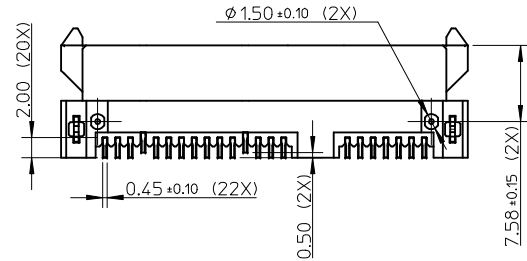
E



NOTES:

- MATERIAL:
HOUSING: HIGH TEMPERATURE THERMAL PLASTIC, UL94V-0, COLOR: BLACK;
TERMINAL: COPPER ALLOY;
FORKLOCK: COPPER ALLOY.
- TERMINAL PLATING:
CONTACT AREA:
(A) GOLD FLASH;
(B) GOLD, THICKNESS=0.76 MICRONS MINIMUM;
(C) GOLD, THICKNESS=0.38 MICRONS MINIMUM;
SOLDER AREA: TIN, THICKNESS=1.27 MICRONS MINIMUM;
UNDER PLATE: NICKEL, THICKNESS=1.27 MICRONS MINIMUM.
- FORKLOCK PLATING:
SOLDER AREA: TIN, THICKNESS=1.27 MICRONS MINIMUM;
UNDER PLATE: NICKEL, THICKNESS=1.27 MICRONS MINIMUM.
- PRODUCT SPECIFICATION: REFER TO PS-67492-001.
- PACKAGING METHOD: TRAY, USE DRYER IN HDPE BAGE TO PREVENT BLISTER.
- MATING PARTS: 87703/87672.
- PRODUCT COMPLIANT TO RoSH DIRECTIVE 2002/95/EC AND ELV DIRECTIVE 2000/53/EC.

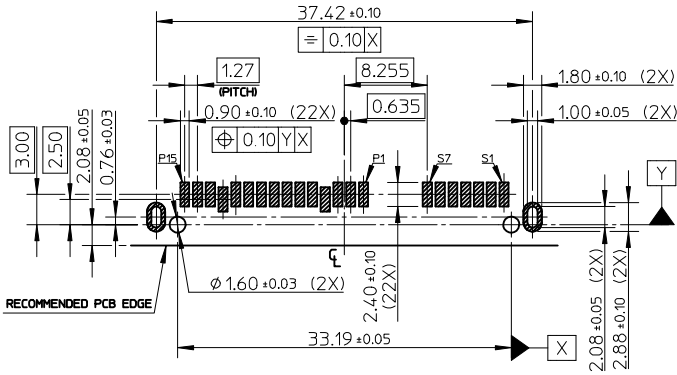
D



67492-1430/1431/1432
/1325/1326/1327
/1440/1441/1442
/1224/1225/1226
/1450/1451/1452.

OTHER DIMENSION PER OTHER VIEW

C



RECOMMENDED P.C.B. LAYOUT (THICKNESS=1.2mm)
CONNECTOR SIDE

| | | | | | | | | | |
|---|--------------------------------------|---|----------------------|---|----------------------|----------------------|------------------------|------------------------|---|
| ADD PART NUMBER EC NO: 2009/07/29 DRWN: XQZHANG CHKD: GLLI APPR: XJ.SONG 2009/08/07 2009/09/03 | QUALITY SYMBOLS ▽=0 ◁=0 | GENERAL TOLERANCES (UNLESS SPECIFIED) | | DIMENSION STYLE MM ONLY | | SCALE 1:1 | DESIGN UNITS METRIC | THIRD ANGLE PROJECTION | |
| | | 4 PLACES ± --- ± --- | 3 PLACES ± --- ± --- | 2 PLACES ± 0.15 ± --- | 1 PLACE ± 0.25 ± --- | mm INCH | DRAWN BY GRATE MA | DATE 2003/10/10 | TITLE SATA HOST RECEPTACLE R/A SMT TYPE |
| | | ANGULAR ± 3 ° | | | | CHECKED BY YA JUN | DATE 2003/10/10 | MOLEX INCORPORATED | |
| | | DRAFT WHERE APPLICABLE MUST REMAIN WITHIN DIMENSIONS | | | | APPROVED BY SAM | DATE 2003/10/10 | | |
| SIZE A3 | | | | THIS DRAWING CONTAINS INFORMATION THAT IS PROPRIETARY TO MOLEX INCORPORATED AND SHOULD NOT BE USED WITHOUT WRITTEN PERMISSION | | | | | |

F

E

D

C

B

A

| P/N | PLATING | DIM'A' | DIM'B' | DIM'C' | DIM'D' | DIM'E' | REMARK |
|------------|-------------|--------|--------|--------|--------|-----------|--|
| 67492-1420 | NOTES 2 (A) | 4.15 | 5.90 | 4.25 | 5.90 | 2.45±0.10 | TRAY PACKAGE PK-67492-001 |
| 67492-1421 | NOTES 2 (B) | | | | | | |
| 67492-1422 | NOTES 2 (C) | | | | | | |
| 67492-1320 | NOTES 2 (A) | 3.50 | 5.25 | 3.60 | 5.25 | 2.45±0.10 | |
| 67492-1321 | NOTES 2 (B) | | | | | | |
| 67492-1322 | NOTES 2 (C) | | | | | | |
| 67492-1120 | NOTES 2 (A) | 1.80 | 3.55 | 1.90 | 3.55 | 2.45±0.10 | |
| 67492-1121 | NOTES 2 (B) | | | | | | |
| 67492-1122 | NOTES 2 (C) | | | | | | |
| 67492-9220 | NOTES 2 (A) | 4.99 | 6.74 | 5.09 | 6.74 | 2.45±0.10 | |
| 67492-9221 | NOTES 2 (B) | | | | | | |
| 67492-9222 | NOTES 2 (C) | | | | | | |
| 67492-1220 | NOTES 2 (A) | 4.99 | 6.74 | 5.09 | 6.74 | 2.45±0.10 | TAPE&REEL PACKAGE PK-67492-002 |
| 67492-1221 | NOTES 2 (B) | | | | | | |
| 67492-1222 | NOTES 2 (C) | | | | | | |
| 67492-1224 | NOTES 2 (A) | 4.99 | 6.74 | 5.09 | 6.74 | 2.33±0.05 | TAPE&REEL PACKAGE WITH CAP PK-67492-002 |
| 67492-1225 | NOTES 2 (B) | | | | | | |
| 67492-1226 | NOTES 2 (C) | | | | | | |
| 67492-1430 | NOTES 2 (A) | 4.15 | 5.90 | 4.25 | 5.90 | 2.45±0.10 | TAPE&REEL PACKAGE WITH CAP PK-67492-008 |
| 67492-1431 | NOTES 2 (B) | | | | | | |
| 67492-1432 | NOTES 2 (C) | | | | | | |
| 67492-1325 | NOTES 2 (A) | 3.50 | 5.25 | 3.60 | 5.25 | 2.45±0.10 | |
| 67492-1326 | NOTES 2 (B) | | | | | | |
| 67492-1327 | NOTES 2 (C) | | | | | | |
| 67492-1440 | NOTES 2 (B) | 4.15 | 5.90 | 4.25 | 5.90 | 2.33±0.05 | |
| 67492-1441 | NOTES 2 (A) | | | | | | |
| 67492-1442 | NOTES 2 (C) | | | | | | |
| 67492-1450 | NOTES 2 (A) | 4.10 | 5.85 | 4.20 | 5.85 | 2.33±0.05 | |
| 67492-1451 | NOTES 2 (B) | | | | | | |
| 67492-1452 | NOTES 2 (C) | | | | | | |

| | | | | | | | | |
|--|--------------------|--|---|-----------------|---|--------------|--|--|
| ADD PART NUMBER EC NO: 2009/07/29 DRWN:XQZHANG 2009/08/07 CHKD:GLLI 2009/08/07 APPR:XJ.SONG 2009/09/03 | DESCRIPTION REV | QUALITY SYMBOLS | GENERAL TOLERANCES (UNLESS SPECIFIED) | DIMENSION STYLE | SCALE | DESIGN UNITS | THIRD ANGLE PROJECTION | |
| | | ▼=0 ◻=0 | mm INCH 4 PLACES ± --- ± --- 3 PLACES ± --- ± --- 2 PLACES ± 0.15 ± --- 1 PLACE ± 0.25 ± --- ANGULAR ± 3 ° | MM ONLY | 1:1 | METRIC | DRAWN BY DATE GRATE MA 2003/10/10 CHECKED BY DATE YA JUN 2003/10/10 APPROVED BY DATE SAM 2003/10/10 MATERIAL NO. | TITLE SATA HOST RECEPTACLE R/A SMT TYPE MOLEX INCORPORATED DOCUMENT NO. |
| | | DRAFT WHERE APPLICABLE MUST REMAIN WITHIN DIMENSIONS | | SEE TABLE | SD-67492-001 | | SHEET NO. | |
| | | | | SIZE A3 | THIS DRAWING CONTAINS INFORMATION THAT IS PROPRIETARY TO MOLEX INCORPORATED AND SHOULD NOT BE USED WITHOUT WRITTEN PERMISSION | | | |