

PLEASE CHECK WWW.MOLEX.COM FOR LATEST PART INFORMATION

Part Number: [5011895010](#)
Status: **Active**
Overview: [picoclap](#)
Description: 1.00mm (.039") Pitch Pico-Clasp™ Wire-to-Board Receptacle Housing, Dual Row, 50 Circuits

Documents:

[3D Model](#) [Product Specification PS-501571-001 \(PDF\)](#)
[Drawing \(PDF\)](#) [RoHS Certificate of Compliance \(PDF\)](#)
[Product Specification PS-501190-001 \(PDF\)](#)

General

Product Family	Crimp Housings
Series	501189
Overview	picoclap
Product Name	Pico-Clasp™

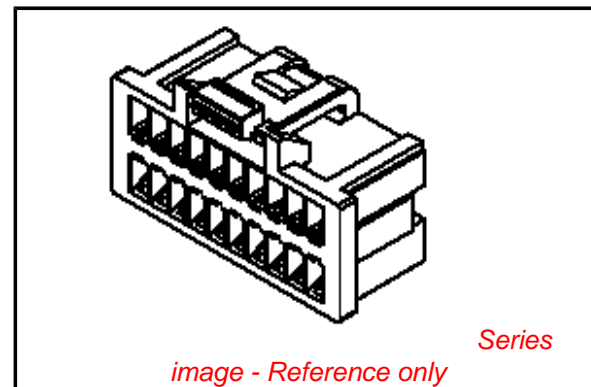
Physical

Breakaway	No
Circuits (maximum)	50
Color - Resin	White
Gender	Receptacle
Glow-Wire Compliant	No
Lock to Mating Part	Yes
Material - Resin	Nylon
Number of Rows	2
Packaging Type	Bag
Panel Mount	No
Pitch - Mating Interface (in)	0.039 In
Pitch - Mating Interface (mm)	1.00 mm
Polarized to Mating Part	Yes
Stackable	No
Temperature Range - Operating	-40°C to +85°C

Material Info

Reference - Drawing Numbers

Packaging Specification	SPK-501189-001
Product Specification	PS-501190-001, PS-501571-001, RPS-501190-001, RPS-501331-001, RPS-501571-006, RPS-501571-007, RPS-501571-008
Sales Drawing	SD-501189-002



EU RoHS

**ELV and RoHS
Compliant**
**REACH SVHC
Contains SVHC: No**
**Halogen-Free
Status
Not Reviewed**

China RoHS



**Need more information on product
environmental compliance?**

Email productcompliance@molex.com
 For a multiple part number RoHS Certificate of Compliance, [click here](#)

Please visit the [Contact Us](#) section for any non-product compliance questions.

Search Parts in this Series

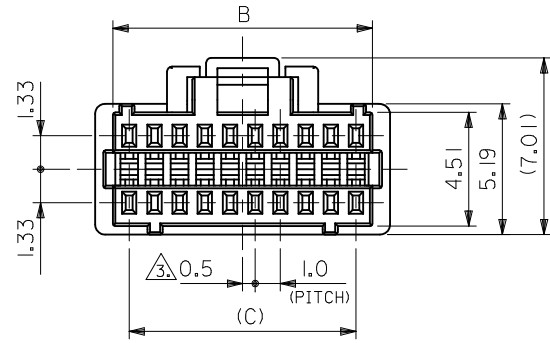
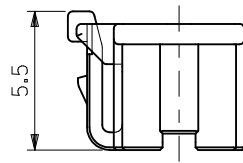
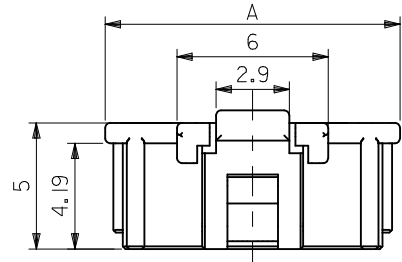
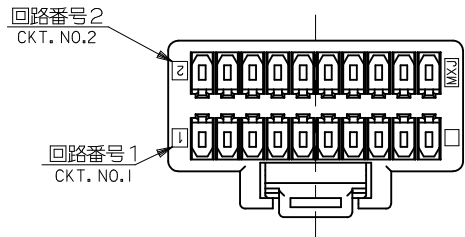
[501189Series](#)

Mates With

[501190](#) PCB Header Vertical . [501571](#) PCB Header Right Angle

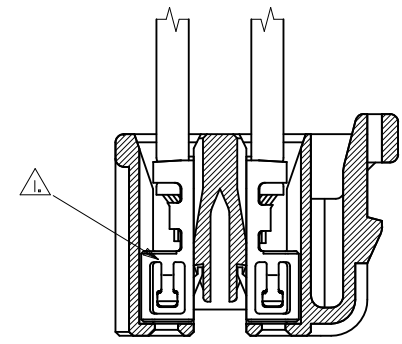
Use With

[501193](#) Crimp Terminal



NOTES.

- 1. 適合ターミナル：501193-****
APPLICABLE TERMINAL：501193-****
- 2. 嵌合相手：501190-**1* , 501571-****
MATE WITH：501190-**1* , 501571-****
- 3. 極数/2=偶数に適用。
APPLY FOR CIRCUIT SIZE/2=EVEN



ターミナル装着図
TERMINAL ASSEMBLY DRAWING

24	25.3	26.7	501189-5010	50
19	20.3	21.7	501189-4010	40
14	15.3	16.7	501189-3010	30
9	10.3	11.7	501189-2010	20
C	B	A	MATERIAL NO.	CKT.

MATERIAL
66NYLON UL94V-0
COLOR:WHITE
GLASS FILLED:0%

REVISED
EC NO.: J2010-2217
DRWN:THANYU 2010/05/12
CHKD:KASAKAWA 2010/05/13
APPR:NUKITA 2010/05/14

GENERAL TOLERANCES (UNLESS SPECIFIED)

10 UNDER	±0.2
10 OVER 30 UNDER	±0.25
30 OVER	±0.3
ANGULAR	±3 °

DRAFT WHERE APPLICABLE
MUST REMAIN
WITHIN DIMENSIONS

DIMENSION STYLE
MM ONLY

DRAWN BY	DATE
NYOSHIDA	2004/12/17
CHECKED BY	DATE
MYAGI	2004/12/17
APPROVED BY	DATE
ANODA	2004/12/17
MATERIAL NO.	
SEE CHART	
SIZE	A3

SCALE 5:1
DESIGN UNITS METRIC
THIRD ANGLE PROJECTION

TITLE
1.0 WIRE TO BOARD CONN.
2-ROW RECEPTACLE HOUSING

MOLEX INCORPORATED

DOCUMENT NO. SD-501189-002
SHEET NO. 1 OF 1

THIS DRAWING CONTAINS INFORMATION THAT IS PROPRIETARY TO MOLEX INCORPORATED AND SHOULD NOT BE USED WITHOUT WRITTEN PERMISSION