

**PLEASE CHECK WWW.MOLEX.COM FOR LATEST PART INFORMATION**

**Part Number:** [5011893010](#)  
**Status:** **Active**  
**Overview:** [picoclap](#)  
**Description:** 1.00mm (.039") Pitch Pico-Clasp™ Wire-to-Board Receptacle Housing, Dual Row, 30 Circuits

**Documents:**

[3D Model](#) [Product Specification PS-501571-001 \(PDF\)](#)  
[Drawing \(PDF\)](#) [RoHS Certificate of Compliance \(PDF\)](#)  
[Product Specification PS-501190-001 \(PDF\)](#)

**General**

Product Family	Crimp Housings
Series	<a href="#">501189</a>
Overview	<a href="#">picoclap</a>
Product Name	Pico-Clasp™

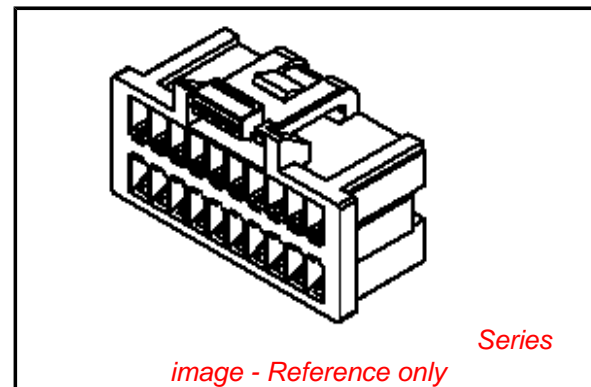
**Physical**

Breakaway	No
Circuits (maximum)	30
Color - Resin	White
Gender	Receptacle
Glow-Wire Compliant	No
Lock to Mating Part	Yes
Material - Resin	Nylon
Number of Rows	2
Packaging Type	Bag
Panel Mount	No
Pitch - Mating Interface (in)	0.039 In
Pitch - Mating Interface (mm)	1.00 mm
Polarized to Mating Part	Yes
Stackable	No
Temperature Range - Operating	-40°C to +85°C

**Material Info**

**Reference - Drawing Numbers**

Packaging Specification	SPK-501189-001
Product Specification	PS-501190-001, PS-501571-001, RPS-501190-001, RPS-501331-001, RPS-501571-006, RPS-501571-007, RPS-501571-008
Sales Drawing	SD-501189-002



**EU RoHS**

**ELV and RoHS  
Compliant**  
**REACH SVHC  
Contains SVHC: No**  
**Halogen-Free  
Status**

**China RoHS**



**Need more information on product  
environmental compliance?**

Email [productcompliance@molex.com](mailto:productcompliance@molex.com)  
 For a multiple part number RoHS Certificate of Compliance, [click here](#)

Please visit the [Contact Us](#) section for any non-product compliance questions.

**Search Parts in this Series**

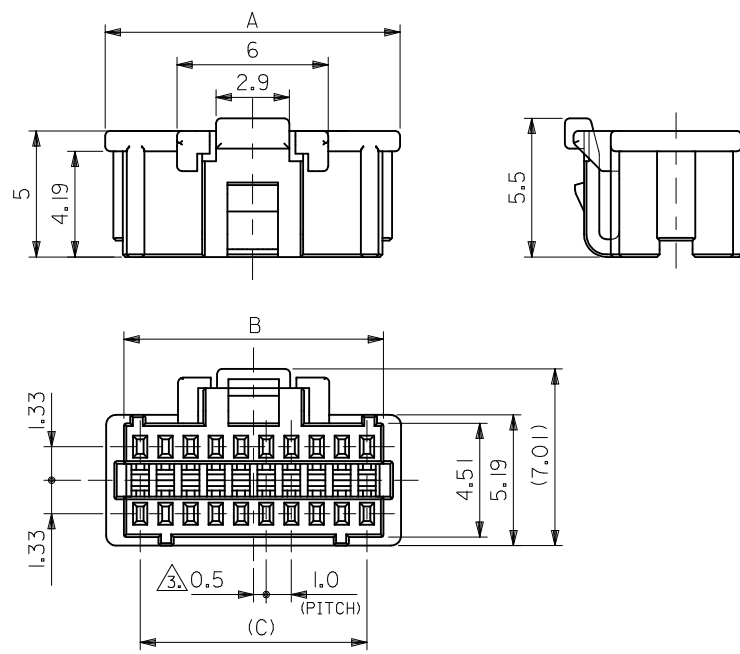
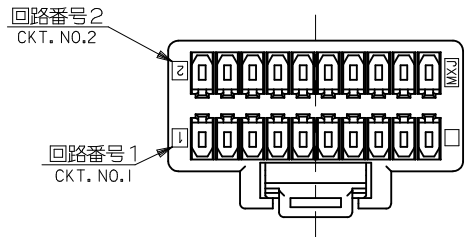
[501189Series](#)

**Mates With**

[501190](#) PCB Header Vertical . [501571](#) PCB Header Right Angle

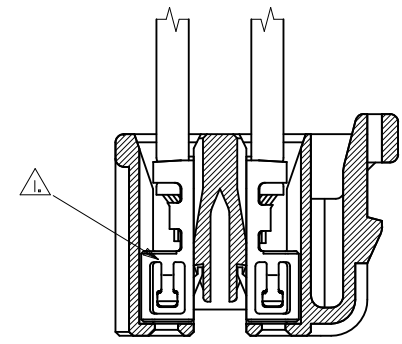
**Use With**

[501193](#) Crimp Terminal



NOTES.

- 1. 適合ターミナル：501193-\*\*\*\*  
APPLICABLE TERMINAL : 501193-\*\*\*\*
- 2. 嵌合相手：501190-\*\*1\* , 501571-\*\*\*\*  
MATE WITH : 501190-\*\*1\* , 501571-\*\*\*\*
- 3. 極数/2=偶数に適用。  
APPLY FOR CIRCUIT SIZE/2=EVEN



ターミナル装着図  
TERMINAL ASSEMBLY DRAWING

24	25.3	26.7	501189-5010	50
19	20.3	21.7	501189-4010	40
14	15.3	16.7	501189-3010	30
9	10.3	11.7	501189-2010	20
C	B	A	MATERIAL NO.	CKT.

MATERIAL  66NYLON UL94V-0 COLOR:WHITE GLASS FILLED:0%	REVISED EC NO: J2010-2217 DRWN:THAYU 2010/05/12 CHKD:KASAKAWA 2010/05/13 APPR:NUKITA 2010/05/14	GENERAL TOLERANCES (UNLESS SPECIFIED)		DIMENSION STYLE MM ONLY		SCALE 5:1		DESIGN UNITS METRIC		THIRD ANGLE PROJECTION	
		10 UNDER	±0.2	DRAWN BY	DATE	TITLE					
		10 OVER 30 UNDER	±0.25	NYOSHIDA	2004/12/17	1.0 WIRE TO BOARD CONN. 2-ROW RECEPTACLE HOUSING					
		30 OVER	±0.3	CHECKED BY	DATE						
ANGULAR ±3 ° DRAFT WHERE APPLICABLE MUST REMAIN WITHIN DIMENSIONS		APPROVED BY	DATE	MOLEX INCORPORATED							
		ANODA	2004/12/17	MATERIAL NO. SEE CHART		DOCUMENT NO. SD-501189-002		SHEET NO. 1 OF 1			
		SIZE A3 THIS DRAWING CONTAINS INFORMATION THAT IS PROPRIETARY TO MOLEX INCORPORATED AND SHOULD NOT BE USED WITHOUT WRITTEN PERMISSION									