

4

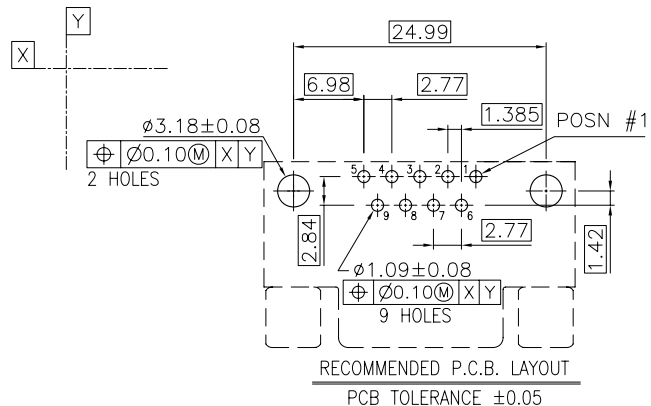
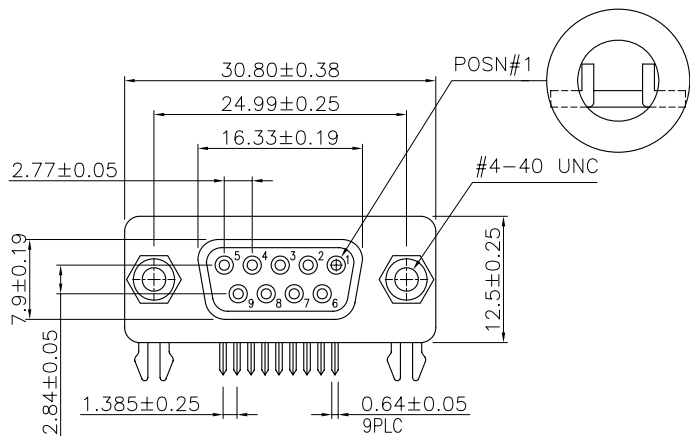
3

2

1

THIS DRAWING IS UNPUBLISHED. RELEASED FOR PUBLICATION  
COPYRIGHT BY TYCO ELECTRONICS CORPORATION. ALL RIGHTS RESERVED.

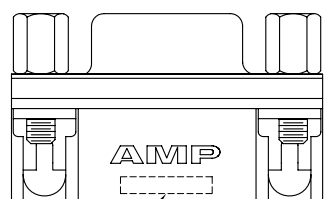
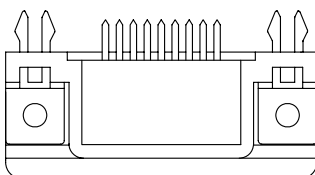
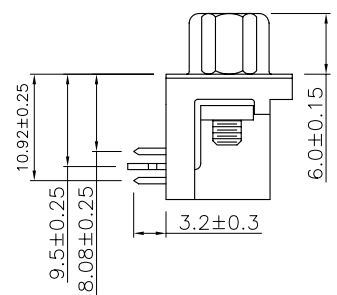
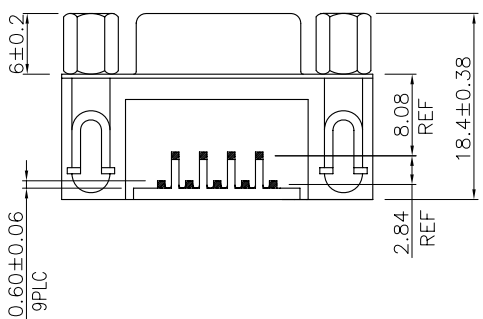
LOC	DIST	REVISIONS			
P	LTR	DESCRIPTION	DATE	DWN	APVD
DW	-	A	REVISED (ECR-10-023125)	10NOV10	JL WK



NOTES:

- MATERIAL:
  - HOUSING: NY9T WITH 30% G.F. UL 94V-0, COLOR: BLACK
  - CONTACTS: PHOSPHOR BRONZE
  - SHELL: SPCC
  - BOARDLOCKS: BRASS
  - RIVET: BRASS
  - SCREWLOCKS: BRASS, THREAD LENGTH OF SCREW: 6.0 MIN.
- FINISH:
  - CONTACT:
    - GOLD PLATING ON CONTACT AREA. (SEE TABLE)
    - 2.54um[100u"] MIN. MATTE-TIN PLATING ON SOLDER TAIL,
    - 1.27um[50u"] MIN. NICKEL UNDERPLATED ON ENTIRE CONTACT.
  - BOARDLOCK:
    - 2.54um[100u"] MIN. MATTE-TIN PLATING OVER
    - 1.27um[50u"] MIN. NICKEL UNDERPLATED ON ENTIRE CONTACT.
  - SHELL: NICKEL PLATED
  - RIVET: NICKEL PLATED
  - SCREWLOCKS: NICKEL PLATED
- NET WEIGHT: 8.9 gram/PC.
- THREADED INSERTS AND SCREWLOCKS MUST WITHSTAND 6 IN-LBS TORQUE.
- DAET CODE: YYWW
- REFLOW SOLDER CAPABLE TO 260°C PER TE SPEC. 109-201, CONDITION B.

0.38um[15u"]	1734354-2
GOLD-FLASH	1734354-1
CONTACT FINISH MIN.	PART NO.



DATE CODE

THIS DRAWING IS A CONTROLLED DOCUMENT.		DWN J. LEE	17NOV2006	Tyco Electronics Corporation Tyco Electronics Taipei, Taiwan	
DIMENSIONS: MM		CHK S. HOU	17NOV2006	NAME	
TOLERANCES UNLESS OTHERWISE SPECIFIED:		APVD W.J. KE	17NOV2006	PRODUCT SPEC	
0 PLC ± -		108-57541		RECEPTACLE ASSEMBLY, 9 POSN, RIGHT ANGLE, 8.08mm[0.318in] SERIES, AMPLIMITE, WITH SCREWLOCKS	
1 PLC ± 0.38		QUALIFICATION TEST REPORT		SIZE	
2 PLC ± 0.25		501-57623		CAGE CODE	
3 PLC ± 0.15		WEIGHT		DRAWING NO	
4 PLC ± -		SEE NOTE		A3 00779	
ANGLES ± -		CUSTOMER DRAWING		G=1734354	
MATERIAL SEE NOTE		FINISH SEE NOTE		RESTRICTED TO	
				SCALE	
				SHEET	
				1 OF 2	
				REV	
				A	

4

3

2

1

THIS DRAWING IS UNPUBLISHED.

RELEASED FOR PUBLICATION

© COPYRIGHT BY TYCO ELECTRONICS CORPORATION. ALL RIGHTS RESERVED.

LOC

DIST

REVISIONS

DW

P

LTR

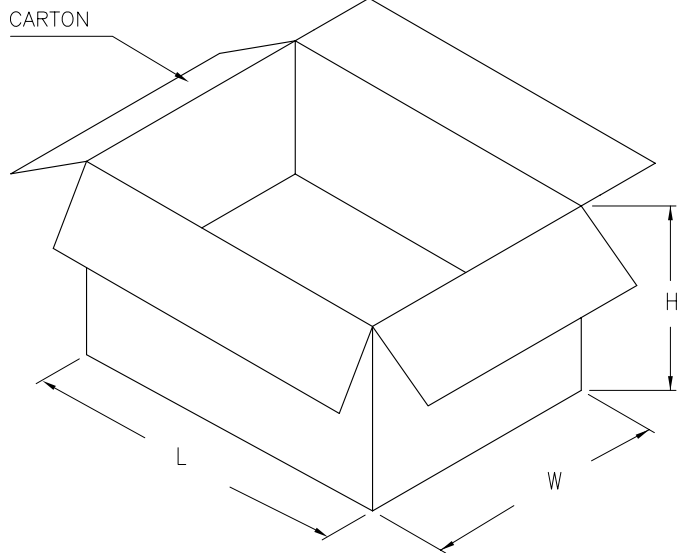
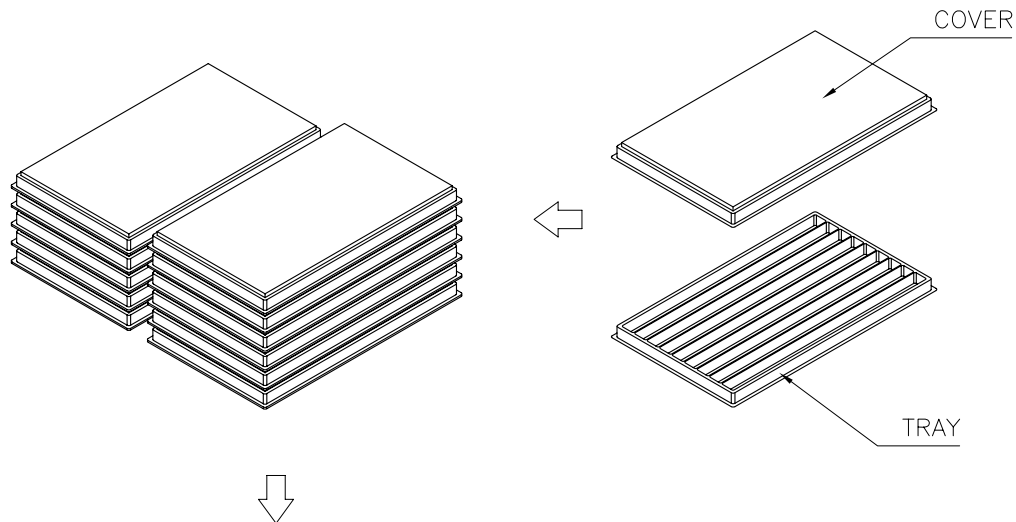
DESCRIPTION

DATE

DWN

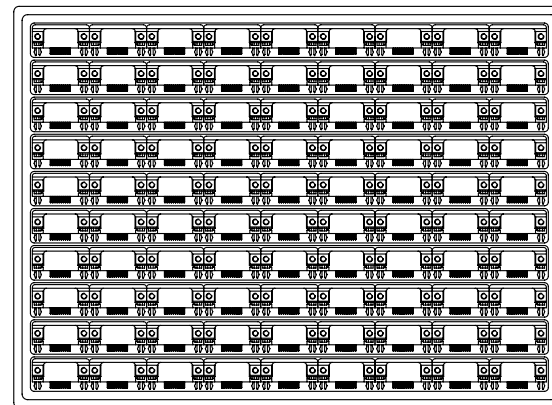
APVD

SEE SHEET 1.



NOTES:

- 1. MATERIAL:
  - 1.1 TRAY: PVC
  - 1.2 SHIPPING CARTON: CORRUGATED FIBERBOARD
- 2. DIMENSION:
  - 2.1 TRAY: L=306, W=217, H=15.8
  - 2.2 SHIPPING CARTON: L=440, W=321, H=153
- 3. QUANTITY:
  - 3.1 PRIMARY PACKING: 90 PCS/TRAY
  - 3.2 SECONDARY PACKING: 11 TRAY/CARTON(990PCS)
- 4. CARTON WEIGHT:
  - 4.1 NET WEIGHT: 8.9 KG
  - 4.2 GROSS WEIGHT: 9.9 KG



THIS DRAWING IS A CONTROLLED DOCUMENT.		DWN J. LEE 17NOV2006	Tyco Electronics Corporation Taipei, Taiwan													
DIMENSIONS: MM		CHK S. HOU 17NOV2006	NAME													
TOLERANCES UNLESS OTHERWISE SPECIFIED:		APVD W.J. KE 17NOV2006	RECEPTACLE ASSEMBLY, 9 POSN, RIGHT ANGLE, 8.08mm[0.318in] SERIES, AMPLIMITE, WITH SCREWS													
<table border="1"> <tr><td>0 PLC</td><td>± -</td></tr> <tr><td>1 PLC</td><td>± -</td></tr> <tr><td>2 PLC</td><td>± -</td></tr> <tr><td>3 PLC</td><td>± -</td></tr> <tr><td>4 PLC</td><td>± -</td></tr> <tr><td>ANGLES</td><td>± -</td></tr> </table>		0 PLC	± -	1 PLC	± -	2 PLC	± -	3 PLC	± -	4 PLC	± -	ANGLES	± -	PRODUCT SPEC -	SIZE A3	CAGE CODE 00779
0 PLC	± -															
1 PLC	± -															
2 PLC	± -															
3 PLC	± -															
4 PLC	± -															
ANGLES	± -															
MATERIAL		APPLICATION SPEC -	DRAWING NO C=1734354	RESTRICTED TO -												
FINISH		WEIGHT -	CUSTOMER DRAWING													
		SCALE -	SHEET 2 OF 2	REV A												