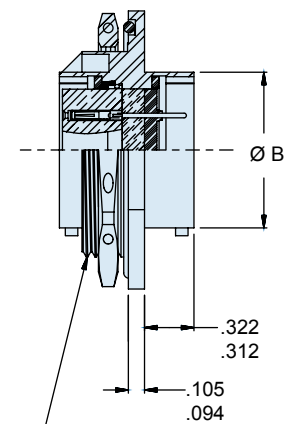
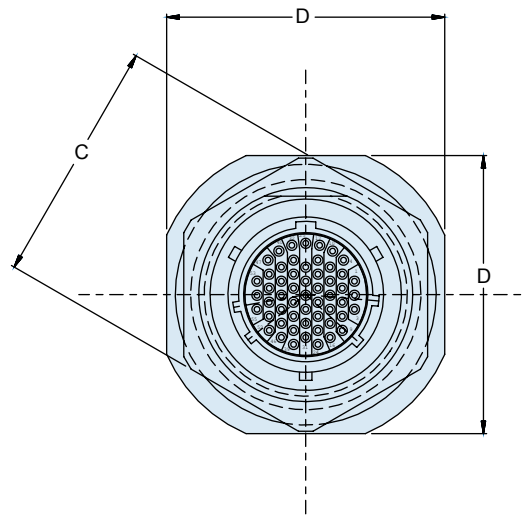
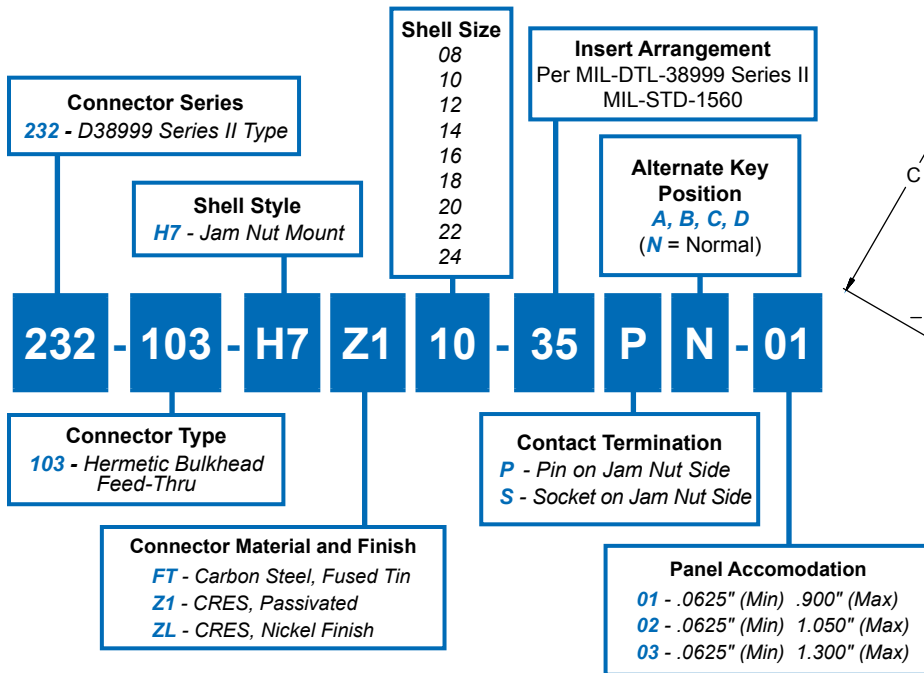
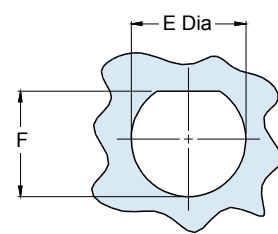


**B**



A Thread



Recommended Panel Cut-Out

**TABLE I: CONNECTOR DIMENSIONS**

| SHELL SIZE | A THREAD CLASS 2A | B DIA MAX   | C HEX       | D FLATS     | E DIA ±.005(0.1) | F +.000-.005 (0-0.1) |
|------------|-------------------|-------------|-------------|-------------|------------------|----------------------|
| 08         | .875-20 UNEF      | .474(12.0)  | 1.062(27.0) | 1.250(31.8) | .885(22.5)       | .830(21.1)           |
| 10         | 1.000-20 UNEF     | .591(15.0)  | 1.188(30.2) | 1.375(34.9) | 1.010(25.7)      | .955(24.3)           |
| 12         | 1.125-18 UNEF     | .751(19.1)  | 1.312(33.3) | 1.500(38.1) | 1.135(28.8)      | 1.085(27.6)          |
| 14         | 1.250-18 UNEF     | .876(22.3)  | 1.438(36.5) | 1.625(41.3) | 1.260(32.0)      | 1.210(30.7)          |
| 16         | 1.375-18 UNEF     | 1.001(25.4) | 1.562(39.7) | 1.781(45.2) | 1.385(35.2)      | 1.335(33.9)          |
| 18         | 1.500-18 UNEF     | 1.126(28.6) | 1.688(42.9) | 1.890(48.0) | 1.510(38.4)      | 1.460(37.1)          |
| 20         | 1.625-18 UNEF     | 1.251(31.8) | 1.812(46.0) | 2.016(51.2) | 1.635(41.5)      | 1.585(40.3)          |
| 22         | 1.750-18 UNS      | 1.376(35.0) | 2.000(50.8) | 2.140(54.4) | 1.760(44.7)      | 1.710(43.4)          |
| 24         | 1.875-16 UN       | 1.501(38.1) | 2.125(54.0) | 2.265(57.5) | 1.885(47.9)      | 1.835(46.6)          |

**APPLICATION NOTES**

- Power to a given contact on one end will result in power to contact directly opposite, regardless of identification letter.
- Hermeticity = less than  $1 \times 10^{-7}$  cc/sec at one atmosphere. Not for use in liquid atmosphere.
- Material/finish:  
Shell, nut – CRES/passivated, carbon steel/fused tin or CRES/nickel per QQ-N-290.
- Contacts – Gold Plated. Pin: alloy 52; Skt.: copper alloy  
Insulator – fused vitreous glass/N.A.  
Seals – fluorosilicone rubber/N.A.