

PLEASE CHECK WWW.MOLEX.COM FOR LATEST PART INFORMATION

Part Number: [0444851212](#)
Status: **Active**
Overview: [minifit_jr](#)
Description: Mini-Fit® Crimp Terminal, 18-24 AWG, Bag, Phosphor Bronze, Select Gold (Au)

Documents:

[Drawing \(PDF\)](#) [RoHS Certificate of Compliance \(PDF\)](#)
[Product Specification PSX-44485-0001 \(PDF\)](#)

General

Product Family	Crimp Terminals
Series	44485
Comments	Current = 13A max. per circuit when header is mated to a receptacle loaded with 45750 series terminals crimped to 16 AWG wire. . See Molex product specification PS-45750-001 for additional current de-rating information.
Crimp Quality Equipment	Yes
Overview	minifit_jr
Product Name	Mini-Fit®

Physical

Gender	Female
Material - Metal	Phosphor Bronze
Material - Plating Mating	Gold
Material - Plating Termination	Tin-Lead
Packaging Type	Bag
Plating min: Mating (µin)	30
Plating min: Mating (µm)	0.76
Termination Interface: Style	Crimp or Compression
Wire Insulation Diameter	1.30-3.10mm (.051-.122")
Wire Size AWG	18, 20, 22, 24
Wire Size mm²	N/A

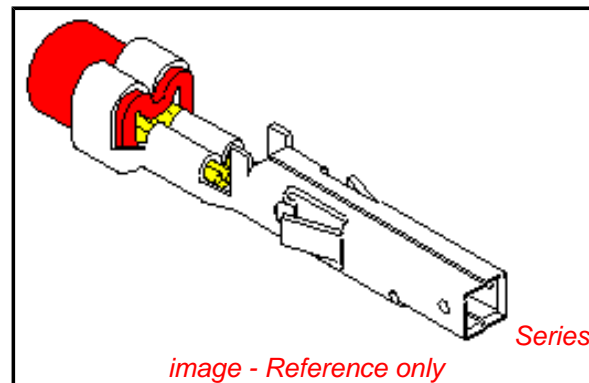
Electrical

Current - Maximum per Contact	13A
-------------------------------	-----

Material Info

Reference - Drawing Numbers

Packaging Specification	PK-44485-001, PK-5556-003
Product Specification	PSX-44485-0001
Sales Drawing	SD-44485-****



EU RoHS

ELV and RoHS Compliant
REACH SVHC Contains SVHC: No
Halogen-Free Status
Halogen-Free

China RoHS



Need more information on product environmental compliance?

Email productcompliance@molex.com
 For a multiple part number RoHS Certificate of Compliance, [click here](#)

Please visit the [Contact Us](#) section for any non-product compliance questions.

Search Parts in this Series

[44485Series](#)

Use With

[5557 Jr.](#), [44516](#), [30067 TPA](#), [42474 BMI](#)
 Panel Mount, [5557d Jr.](#) Dual Row

Application Tooling | [FAQ](#)

Tooling specifications and manuals are found by selecting the products below. Crimp Height Specifications are then contained in the Application Tooling Specification document.

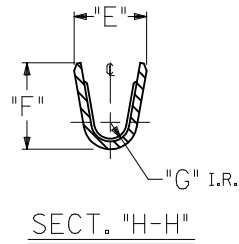
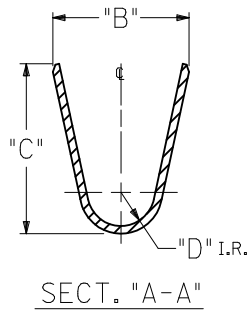
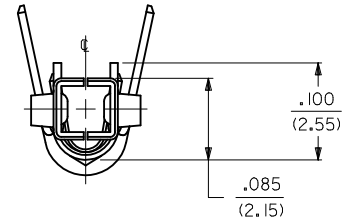
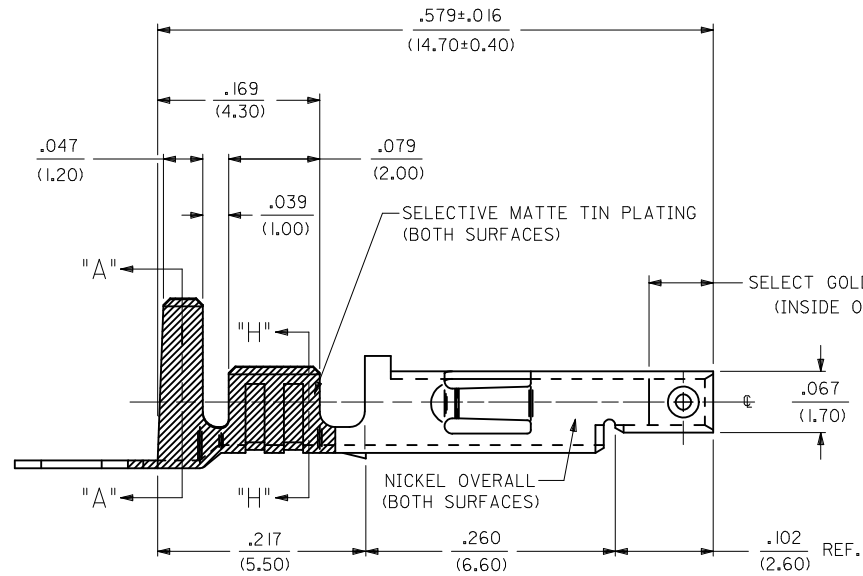
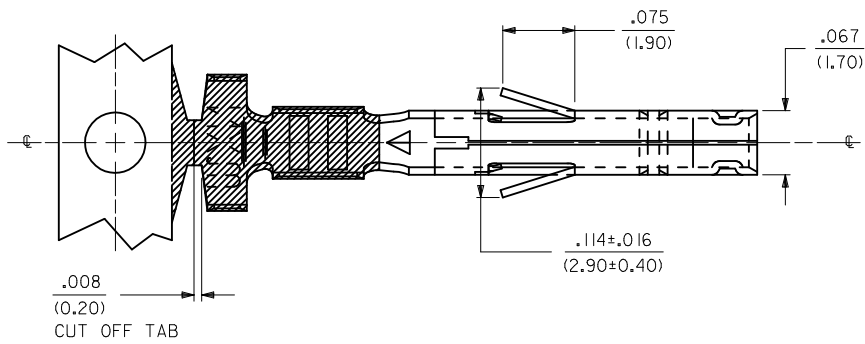
Global

Description	Product #
Extraction Tool	0011030044
Hand Crimp Tool for Mini-Fit™ Jr. Male and Female Crimp Terminals, 16-24 AWG	0638190900

PLEASE CHECK WWW.MOLEX.COM FOR LATEST PART INFORMATION

NOTES:

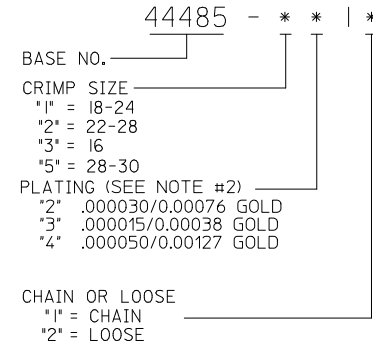
1. MATERIAL:
CDA 510 PHOS. BRONZE .0080±.0004/(0.203±0.010) THICK.
2. FINISH:
 - *2 = SELECTIVE GOLD PLATE .000030/(0.00076) MIN., AND SELECTIVE MATTE TIN .000100/(0.00254) OVER .000050/(0.00127) MIN. NICKEL OVERALL.
 - *3 = SELECTIVE GOLD PLATE .000015/(0.00038) MIN., AND SELECTIVE MATTE TIN .000080/(0.00203) OVER .000050/(0.00127) MIN. NICKEL OVERALL.
 - *4 = SELECTIVE GOLD PLATE .000050/(0.00127) MIN., AND SELECTIVE MATTE TIN .000100/(0.00254) OVER .000050/(0.00127) MIN. NICKEL OVERALL.
- *THE PRIMARY SHIPPING CARTON WILL BE LABELED "COMPLIANT TO RoHS DIRECTIVE 2002/95/EC AND ELV ANNEX II OF DIRECTIVE 2000/53/EC." CARTONS WITHOUT THIS LABEL MAY CONTAIN PRODUCT WITH TIN-LEAD PLATING.
3. PRODUCT SPECIFICATION: SEE PSX-44485-0001.
4. PACKAGING SPECIFICATION: PK-44485-001 FOR CHAIN TERMINALS
PK-5556-003 FOR LOOSE TERMINALS
5. MATES WITH 5558, 5566 AND 5569 SERIES CONNECTORS.
6. TERMINAL FOR USE WITH 5557 SERIES HOUSINGS.



ADDED PKG NOTE: EC NO: UCP2010-0471 DRWN: JAGUILAR 2009/12/23 CHKD: JEBEL 2009/12/23 APPR: FSMITH 2009/12/28	QUALITY SYMBOLS ▽=0 ▽=0	GENERAL TOLERANCES (UNLESS SPECIFIED)		DIMENSION STYLE IN/MM	SCALE 10:1	DESIGN UNITS METRIC	THIRD ANGLE PROJECTION	
		4 PLACES ± --- ± --- 3 PLACES ± --- ± .010 2 PLACES ± 0.25 ± .014 1 PLACE ± 0.36 ± ---	DRAWN BY GEP	DATE 08/08/94	TITLE HIGH CYCL'G TERM FEM CRIMP, MINI-FIT JR. BLANK-PLATE-FORM			
		ANGULAR ±1/2°	CHECKED BY RJF	DATE 08/08/94	MOLEX INCORPORATED			
		DRAFT WHERE APPLICABLE MUST REMAIN WITHIN DIMENSIONS	APPROVED BY RJF	DATE 08/08/94	MATERIAL NO. SEE CHART	DOCUMENT NO. SD-44485-****	SHEET NO. 1 OF 2	

ITEM NO.	WIRE GAGE	DIM. "B"	DIM. "C"	DIM. "D"	DIM. "E"	DIM. "F"	DIM. "G"
44485-1211	18-24 GA.	.142±.012	.177±.016	.035	.075±.012	.091±.016	.020
44485-1212		(3.60±0.30)	(4.50±0.40)	(0.90)	(1.90±0.30)	(2.30±0.40)	(0.50)
X 44485-2211	22-28 GA.	.091±.012	.091±.016	.024	.071±.012	.065±.016	.016
X 44485-2212		(2.30±0.30)	(2.30±0.40)	(0.60)	(1.80±0.30)	(1.65±0.40)	(0.40)
X 44485-3211	16 GA.	.142±.012	.177±.016	.035	.091±.012	.106±.016	.024
X 44485-3212		(3.60±0.30)	(4.50±0.40)	(0.90)	(2.30±0.30)	(2.70±0.40)	(0.60)
X 44485-5211	28-30 GA.	.091±.012	.091±.016	.024	.050±.010	.044±.010	.010
X 44485-5212		(2.30±0.30)	(2.30±0.40)	(.60)	(1.27±0.25)	(1.12±0.25)	(0.25)
X 44485-1311	18-24 GA.	.142±.012	.177±.016	.035	.075±.012	.091±.016	.020
X 44485-1312		(3.60±0.30)	(4.50±0.40)	(0.90)	(1.90±0.30)	(2.30±0.40)	(0.50)
X 44485-2311	22-28 GA.	.091±.012	.091±.016	.024	.071±.012	.065±.016	.016
X 44485-2312		(2.30±0.30)	(2.30±0.40)	(0.60)	(1.80±0.30)	(1.65±0.40)	(0.40)
X 44485-3311	16 GA.	.142±.012	.177±.016	.035	.091±.012	.106±.016	.024
X 44485-3312		(3.60±0.30)	(4.50±0.40)	(0.90)	(2.30±0.30)	(2.70±0.40)	(0.60)
X 44485-5311	28-30 GA.	.091±.012	.091±.016	.024	.050±.010	.044±.010	.010
X 44485-5312		(2.30±0.30)	(2.30±0.40)	(.60)	(1.27±0.25)	(1.12±0.25)	(0.25)
X 44485-1411	18-24 GA.	.142±.012	.177±.016	.035	.075±.012	.091±.016	.020
X 44485-1412		(3.60±0.30)	(4.50±0.40)	(0.90)	(1.90±0.30)	(2.30±0.40)	(0.50)
X 44485-2411	22-28 GA.	.091±.012	.091±.016	.024	.071±.012	.065±.016	.016
X 44485-2412		(2.30±0.30)	(2.30±0.40)	(0.60)	(1.80±0.30)	(1.65±0.40)	(0.40)
X 44485-3411	16 GA.	.142±.012	.177±.016	.035	.091±.012	.106±.016	.024
X 44485-3412		(3.60±0.30)	(4.50±0.40)	(0.90)	(2.30±0.30)	(2.70±0.40)	(0.60)
X 44485-5411	28-30 GA.	.091±.012	.091±.016	.024	.050±.010	.044±.010	.010
X 44485-5412		(2.30±0.30)	(2.30±0.40)	(.60)	(1.27±0.25)	(1.12±0.25)	(0.25)

LEGEND:



SEE SHEET ONE EC NO: UCP2010-0471 DRWN: JAGUILAR 2009/12/23 CHKD: J.BELL 2009/12/23 APPR: F.S.MITH 2009/12/28	QUALITY SYMBOLS ▼=0 ▽=0	GENERAL TOLERANCES (UNLESS SPECIFIED)		DIMENSION STYLE	SCALE	DESIGN UNITS	THIRD ANGLE PROJECTION	
				IN/MM	---	INCH		
				DRAWN BY	DATE	TITLE		
				CHECKED BY	DATE	HIGH CYCL'G TERM FEM CRIMP, MINI-FIT JR. BLANK-PLATE-FORM		
		ANGULAR ±1/2°		APPROVED BY	DATE	MOLEX MOLEX INCORPORATED		
		DRAFT WHERE APPLICABLE MUST REMAIN WITHIN DIMENSIONS		MATERIAL NO.	DOCUMENT NO.	SHEET NO.		
				SEE CHART	SD-44485-****	2 OF 2		
		THIS DRAWING CONTAINS INFORMATION THAT IS PROPRIETARY TO MOLEX INCORPORATED AND SHOULD NOT BE USED WITHOUT WRITTEN PERMISSION						