

**PLEASE CHECK WWW.MOLEX.COM FOR LATEST PART INFORMATION**

**Part Number:** **0473149054**  
**Status:** **Active**  
**Description:** 1.00mm (.039") Pitch 54mm ExpressCard\* Stainless Steel Ejector, Top Mount, with Push-Push Mechanism, Lead free

**Documents:**

[Drawing \(PDF\)](#) [RoHS Certificate of Compliance \(PDF\)](#)  
[Product Specification PS-47202-001 \(PDF\)](#)

**General**

Product Family	Memory Card Sockets
Series	47314
Button Type	Push-Push
Comments	Slot compatible with both 34mm and 54mm Cards
Component Type	Ejector (Host)
Product Name	ExpressCard*
Type	N/A

**Physical**

Card Detection Switch	Yes
Circuits (Loaded)	N/A
Circuits (maximum)	0
Durability (mating cycles max)	10,000
Ejector Button Side	No Ejector Button Present
Entry Angle	N/A
Keying to Mating Part	Yes
PCB Locator	Yes
PCB Mounting Side	Normal
PCB Retention	Yes
Packaging Type	Tray
Pitch - Mating Interface (in)	0.000 In
Pitch - Mating Interface (mm)	0.00 mm
Pitch - Term. Interface (in)	0.000 In
Pitch - Term. Interface (mm)	0.00 mm
Ports	1
Surface Mount Compatible (SMC)	Yes
Temperature Range - Operating	0°C to +55°C

**Electrical**

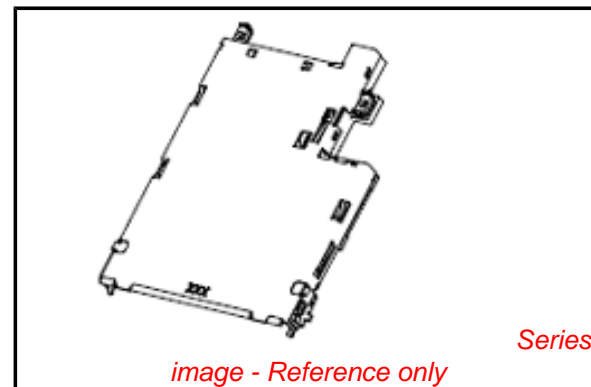
Current - Maximum per Contact	0.75A
Shielded	Yes
Voltage - Maximum	3.3V DC
Voltage Key	N/A

**Material Info**

**Reference - Drawing Numbers**

Packaging Specification	PK-47314-002
Product Specification	PS-47202-001
Sales Drawing	SD-47314-002

\* ExpressCard is trademark, or registered trademark of PCMCIA



*image - Reference only*

**EU RoHS**

**ELV and RoHS  
Compliant**  
**REACH SVHC  
Not Reviewed**  
**Halogen-Free  
Status**

**China RoHS**



**Need more information on product  
environmental compliance?**

Email [productcompliance@molex.com](mailto:productcompliance@molex.com)  
 For a multiple part number RoHS Certificate of Compliance, [click here](#)

Please visit the [Contact Us](#) section for any non-product compliance questions.

**Search Parts in this Series**

47314Series

**Mates With**

ExpressCard\* Module

**Use With**

473140053 Top Mount 54mm Header

10 9 8 7 6 5 4 3 2 1

F

E

D

C

B

A

F

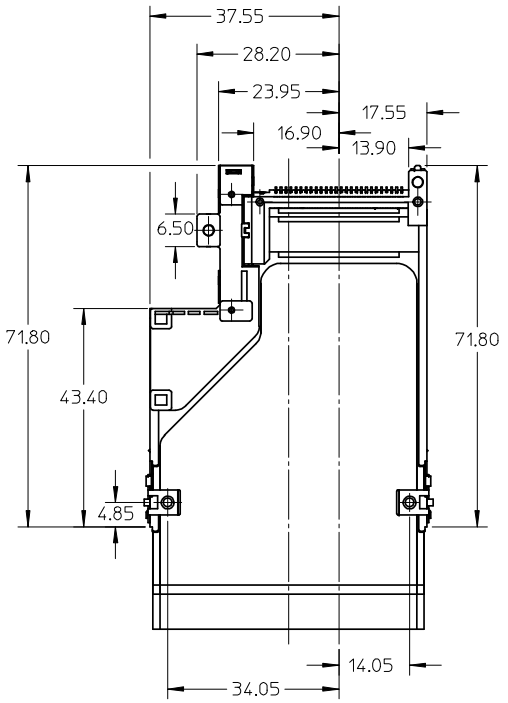
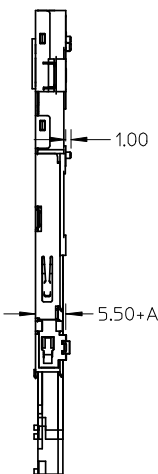
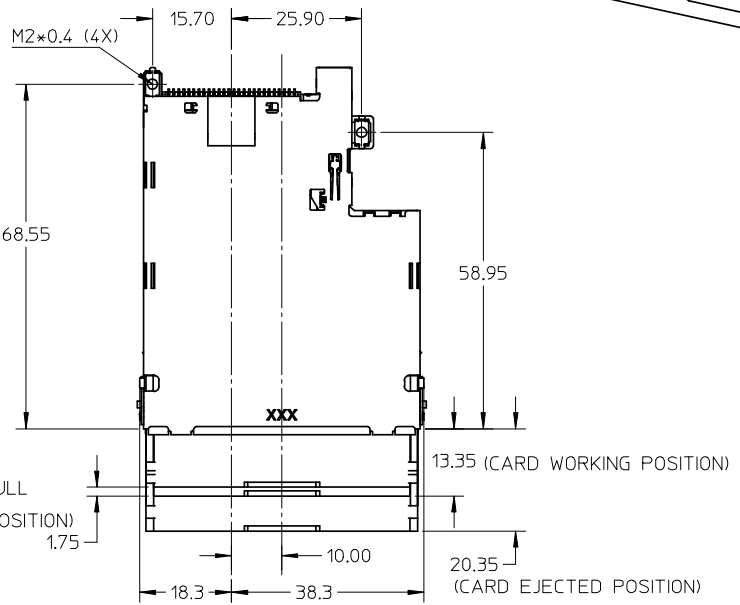
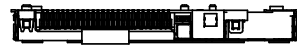
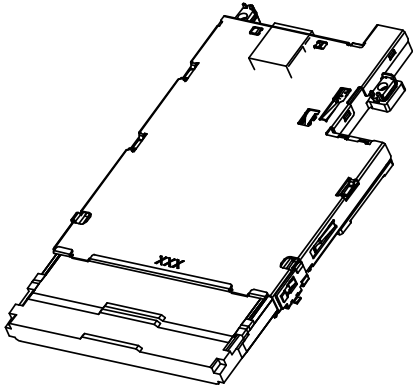
E

D

C

B

A



- NOTES:
- COMPONENT:  
HEADER: SHEET 2  
EJECTOR: SHEET 3
  - PCB LAYOUT PLEASE REFER TO SHEET 4;
  - COPLANARTY OF HEADER FOR SMT SOLDER TAILS TO BE 0.10mm MAXIMUM;
  - PRODUCT SPECIFICATION PLEASE REFER TO PS-47202-001;
  - SCREW FASTENING TORQUE: 1.5kgf-cm MAXIMUM.
  - TRUE POSITION IS 0.15mm MAXIMUM BETWEEN SOLDER TAILS;
  - NON-REFLOW PROCESS FOR CARD SLOT;
  - THE PART COMPLIANT TO RoHS DIRECTIVE 2002/95/EC AND ELV 2000/53/EC.

RELEASE IEC NO: SH2008-0538 DRW/NF: YANG05 CH/KD: APPR: HWANG 2008/04/30 2008/05/19 2008/05/26	QUALITY SYMBOLS ▽=0 ◻=0	GENERAL TOLERANCES (UNLESS SPECIFIED)		DIMENSION STYLE MM ONLY		SCALE 1:1	DESIGN UNITS METRIC	THIRD ANGLE PROJECTION		
			mm	INCH	DRAWN BY	DATE	TITLE			
		4 PLACES	± ---	± ---	R. BIAN	2007/06/12	EXPRESSCARD TOP MOUNT WITH PUSH-PUSH MECHANISM (CARD PUSH)			
		3 PLACES	± ---	± ---	CHECKED BY	DATE				
2 PLACES	± 0.25	± ---	HWANG	2007/06/12	MOLEX INCORPORATED					
1 PLACE	± 0.3	± ---	APPROVED BY	DATE						
ANGULAR ± 3 °		DRAFT WHERE APPLICABLE MUST REMAIN WITHIN DIMENSIONS		MATERIAL NO.		DOCUMENT NO.		SHEET NO.		
				N/A		SD-47314-002		1 OF 4		
				THIS DRAWING CONTAINS INFORMATION THAT IS PROPRIETARY TO MOLEX INCORPORATED AND SHOULD NOT BE USED WITHOUT WRITTEN PERMISSION						

9 8 7 6 5 4 3 2 1

NOTES:

1. MATERIAL:

HOUSING: LIQUID CRYSTAL POLYMER, UL94 V-0;  
 TERMINAL: PHOSPHOR BRONZE;  
 FITTING NAIL: PHOSPHOR BRONZE;

2. FINISH:

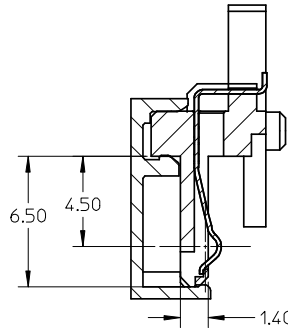
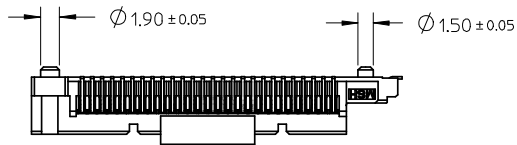
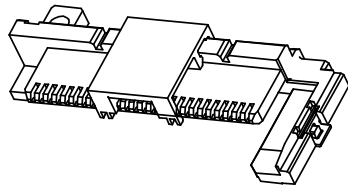
TERMINAL: SELECTIVE GOLD(Au) IN CONTACT AREA.  
 THICKNESS: 0.15 MICROMETER MINIMUM  
 SELECTIVE PURE TIN IN SOLDER TAIL AREA.  
 THICKNESS: 1.5 MICROMETER MINIMUM  
 UNDERPLATING : NICKEL(Ni) OVERALL

3. COPLANARITY AT SOLDER TAIL TO BE 0.10mm MAXIMUM;

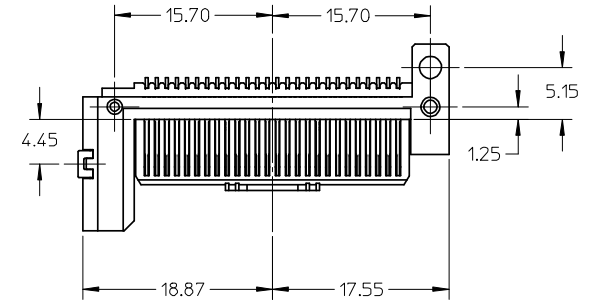
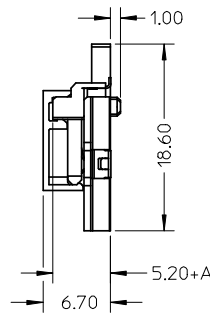
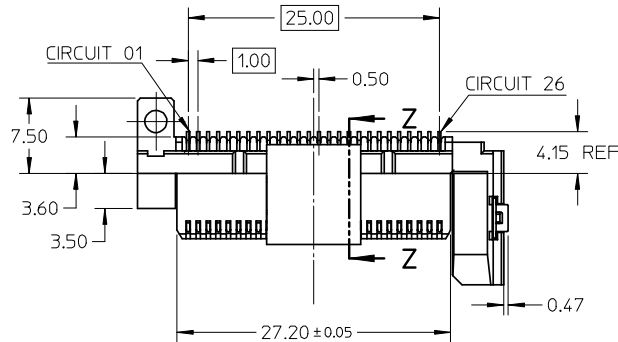
4. APPLICABLE EJECTOR PLEASE SEE TABLE;

5. PRODUCT SPECIFICATION REFERS TO PS-47202-001;

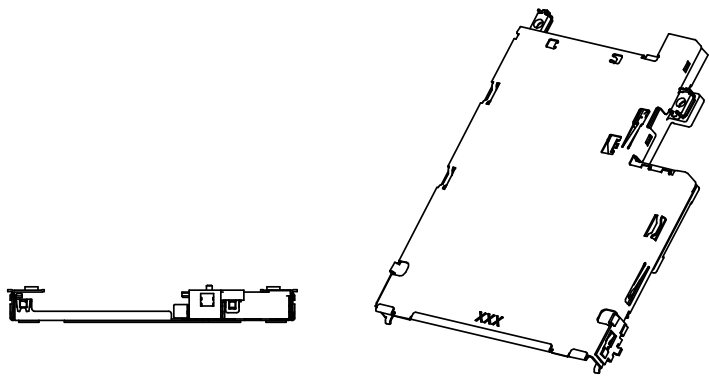
6. THE PART COMPLIANT TO RoHS DIRECTIVE 2002/95/EC AND ELV 2000/53/EC.



SECTION Z-Z  
 SCALE:4:1



RELEASE EC NO: SH2008-0538 DRW: F YANG05 CHKD: 2008/05/19 APPR: HWANG 2008/04/30 2008/05/19 2008/05/26	QUALITY SYMBOLS ▽=0 ◻=0	GENERAL TOLERANCES (UNLESS SPECIFIED)		DIMENSION STYLE MM ONLY		SCALE NTS	DESIGN UNITS METRIC	THIRD ANGLE PROJECTION	
		4 PLACES	± ---	± ---	mm	INCH	DRAWN BY R. BIAN	DATE 2007/06/12	TITLE EXPRESSCARD TOP MOUNT WITH PUSH-PUSH MECHANISM (CARD PUSH)  MOLEX INCORPORATED DOCUMENT NO. SD-47314-002
		3 PLACES	± ---	± ---	DRAFT WHERE APPLICABLE MUST REMAIN WITHIN DIMENSIONS		CHECKED BY HWANG	DATE 2007/06/12	
		2 PLACES	± 0.25	± ---	SEE TABLE		APPROVED BY JNCHEN	DATE 2007/06/12	
1 PLACE	± 0.3	± ---	SIZE A3		MATERIAL NO.	DATE			
PART NO. 47314-0053		0.50 MM		APPLICABLE EJECTOR		47314-9054		THIS DRAWING CONTAINS INFORMATION THAT IS PROPRIETARY TO MOLEX INCORPORATED AND SHOULD NOT BE USED WITHOUT WRITTEN PERMISSION	
A (STAND OFF HEIGHT)								SHEET NO. 2 OF 4	

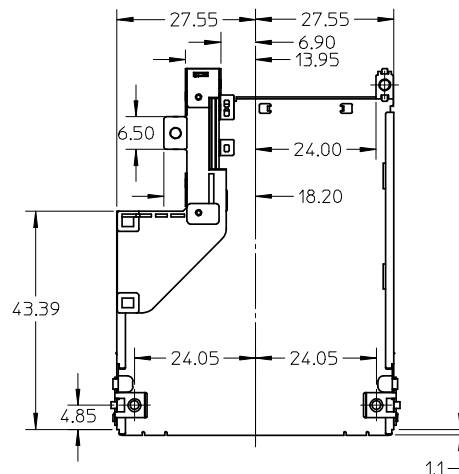
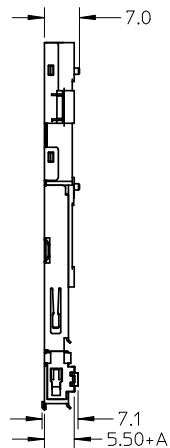
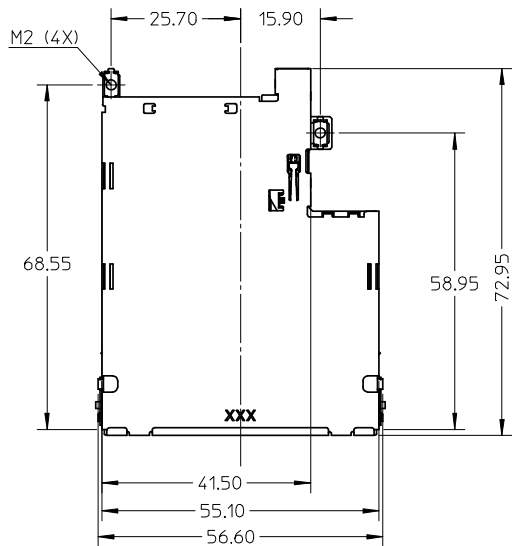


NOTES:

1. MATERIAL:

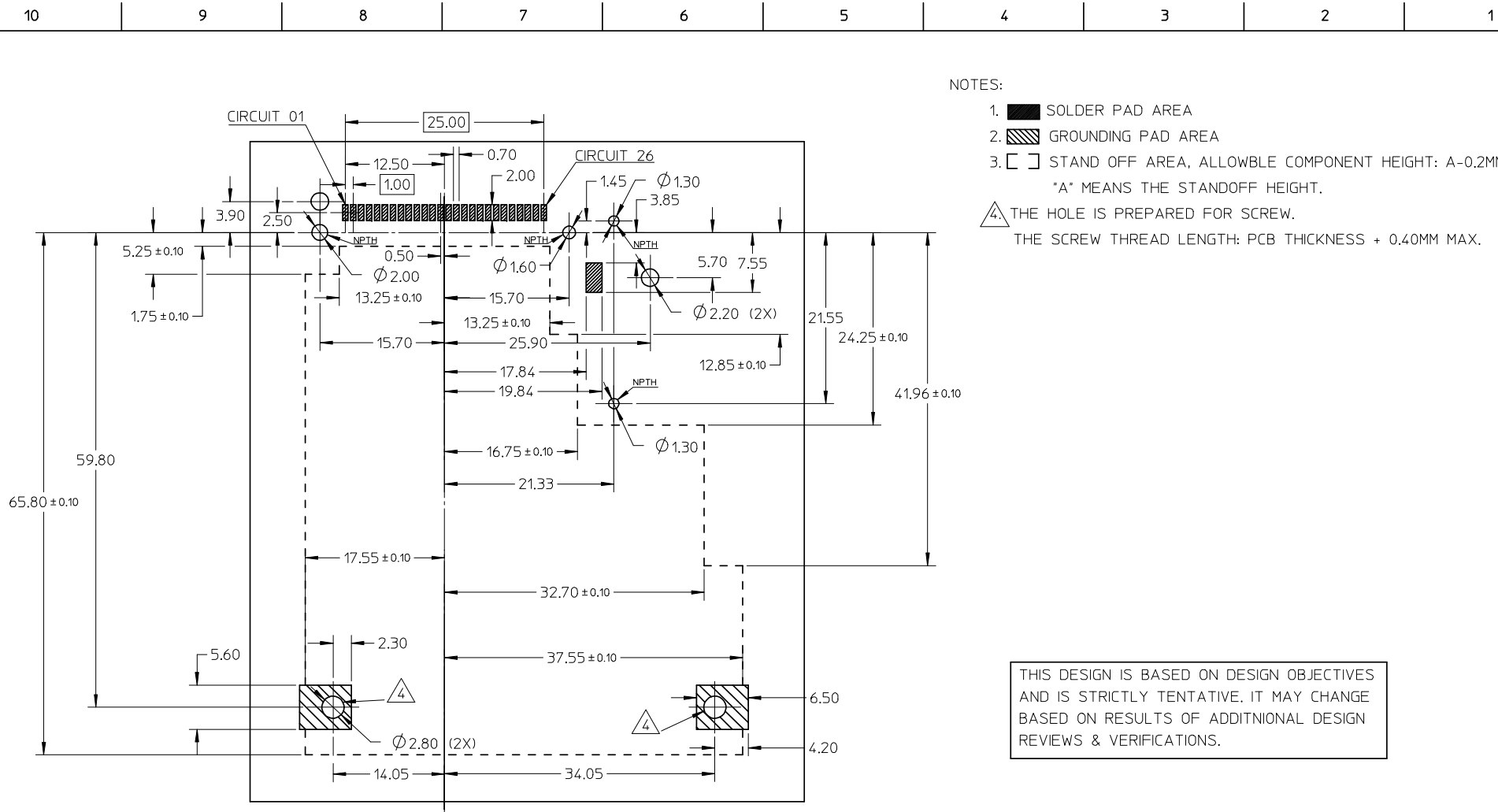
- SHELL: STAINLESS STEEL
- STAND OFF: STAINLESS STEEL
- NUT: STAINLESS STEEL
- COIL SPRING: PIANO WIRE
- CAM SLIDER: NYLON46 UL94 V-0
- CAM SLIDER HOUSING: NYLON46 UL94 V-0
- CAM PIN: STAINLESS STEEL
- STOPPER: STAINLESS STEEL

- 2. THIS SLOT TO BE COMPATIBLE BOTH 34mm CARD AND 54mm CARD;
- 3. THE EJECTOR MECHANISM TO BE ASSEMBLED BASE ON 34mm CARD CENTER LINE;
- 4. APPLICABLE HEADER PLEASE SEE TABLE;
- 5. PRODUCT SPECIFICATION PLEASE REFER TO PS-47202-001;
- 6. THE PART COMPLIANT TO RoHS DIRECTIVE 2002/95/EC AND ELV 2000/53/EC



RELEASE EC NO: SHZ008-0538 DRW: NYANG05 CHKD: CHIKD APPR: HWWANG 2008/04/30 2008/05/19 2008/05/26	QUALITY SYMBOLS	GENERAL TOLERANCES (UNLESS SPECIFIED)		DIMENSION STYLE MM ONLY		SCALE NTS	DESIGN UNITS METRIC	THIRD ANGLE PROJECTION
	▽=0 C=0	mm	INCH	DRAWN BY R. BIAN	DATE 2007/06/12	TITLE EXPRESSCARD TOP MOUNT WITH PUSH-PUSH MECHANISM (CARD PUSH)		
		4 PLACES ± --- ± ---	3 PLACES ± --- ± ---	CHECKED BY HWWANG	DATE 2007/06/12	MOLEX INCORPORATED		
		2 PLACES ± 0.25 ± ---	1 PLACE ± 0.3 ± ---	APPROVED BY JNCHEN	DATE 2007/06/12	DOCUMENT NO. SD-47314-002		
		ANGULAR ± 3 °		MATERIAL NO. SEE TABLE	SHEET NO. 3 OF 4			
		DRAFT WHERE APPLICABLE MUST REMAIN WITHIN DIMENSIONS		THIS DRAWING CONTAINS INFORMATION THAT IS PROPRIETARY TO MOLEX INCORPORATED AND SHOULD NOT BE USED WITHOUT WRITTEN PERMISSION				

47314-9054	0.50 MM	47314-0053
PART NO.	A (STAND OFF HEIGHT)	APPLICABLE HEADER



NOTES:

1. SOLDER PAD AREA
2. GROUNDING PAD AREA
3. STAND OFF AREA, ALLOWBLE COMPONENT HEIGHT: A-0.2MM, "A" MEANS THE STANDOFF HEIGHT.
4. THE HOLE IS PREPARED FOR SCREW.  
THE SCREW THREAD LENGTH: PCB THICKNESS + 0.40MM MAX.

THIS DESIGN IS BASED ON DESIGN OBJECTIVES AND IS STRICTLY TENTATIVE. IT MAY CHANGE BASED ON RESULTS OF ADDITNIONAL DESIGN REVIEWS & VERIFICATIONS.

RECOMMENDED PCB LAYOUT

RELEASE EC NO: SH2008-0538 DRWN: FYANG05 CHKD: APPR: HWANG	2008/04/30 2008/05/19 2008/05/26	DESCRIPTION REV	QUALITY SYMBOLS	GENERAL TOLERANCES (UNLESS SPECIFIED)	DIMENSION STYLE	SCALE	DESIGN UNITS	THIRD ANGLE PROJECTION	
			$\nabla = 0$ $\square = 0$	mm    INCH 4 PLACES ± --- ± --- 3 PLACES ± --- ± --- 2 PLACES ± 0.25 ± --- 1 PLACE ± 0.3 ± --- ANGULAR ± 3 °	MM ONLY	NTS	METRIC		
				DRAFT WHERE APPLICABLE MUST REMAIN WITHIN DIMENSIONS	DRAWN BY: R. B IAN    DATE: 2007/06/12 CHECKED BY: HWANG    DATE: 2007/06/12 APPROVED BY: JNCHEN    DATE: 2007/06/12	TITLE	EXPRESSCARD TOP MOUNT WITH PUSH-PUSH MECHANISM (CARD PUSH)		
					MATERIAL NO. N/A SIZE: A3	MOLEX INCORPORATED DOCUMENT NO. SD-47314-002 SHEET NO. 4 OF 4			