

PLEASE CHECK WWW.MOLEX.COM FOR LATEST PART INFORMATION

Part Number: [0850090684](#)
Status: **Active**
Overview: [din_41612](#)
Description: 2.54mm (.100") Pitch DIN 41612/EIC 603-2 Mixed Layout Connector, Male Style M, Right Angle, Through Hole, 0.6µm (24 µ") Selective Gold (Au), with First-Mate-Last-Break Pins, 32 Circuits

Documents:

[3D Model](#) [RoHS Certificate of Compliance \(PDF\)](#)
[Drawing \(PDF\)](#)

Agency Certification

CSA LR19980
 UL E29179

General

Product Family Backplane Connectors
 Series [85009](#)
 Application Backplane
 Comments Mixed Layout
 Component Type PCB Header
 Overview [din_41612](#)
 Product Name IEC 603-2/DIN 41612
 Style M

Physical

Circuits (Loaded) 32
 Circuits (maximum) 32
 Circuits Detail 24 + 8
 Durability (mating cycles max) 400
 First Mate / Last Break Yes
 Flammability 94V-0
 Keying to Mating Part Yes
 Number of Columns 8
 Number of Pairs Open Pin Field
 Number of Rows 3
 Orientation Right Angle
 PC Tail Length (in) 0.118 In
 PC Tail Length (mm) 3.00 mm
 PCB Locator No
 PCB Retention None
 PCB Thickness Recommended (in) 0.062 In
 PCB Thickness Recommended (mm) 1.60 mm
 Packaging Type Tray
 Pitch - Mating Interface (in) 0.100 In
 Pitch - Mating Interface (mm) 2.54 mm
 Pitch - Term. Interface (in) 0.100 In
 Pitch - Term. Interface (mm) 2.54 mm
 Temperature Range - Operating -55°C to +125°C

Electrical

Current - Maximum per Contact 1.5A
 Data Rate 622.0 Mbps
 Voltage - Maximum 250V AC (RMS)

Material Info

EU RoHS
ELV and RoHS
Compliant
REACH SVHC
Not Reviewed
Halogen-Free
Status
Not Reviewed

China RoHS



Need more information on product environmental compliance?

Email productcompliance@molex.com
 For a multiple part number RoHS Certificate of Compliance, [click here](#)

Please visit the [Contact Us](#) section for any non-product compliance questions.

Search Parts in this Series

[85009Series](#)

Mates With

[85048](#) , [85056](#)

Use With

[85023](#)

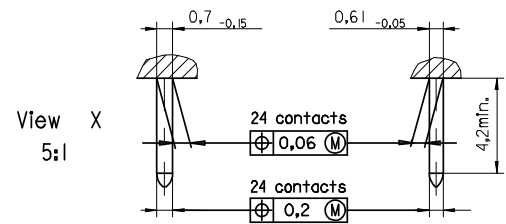
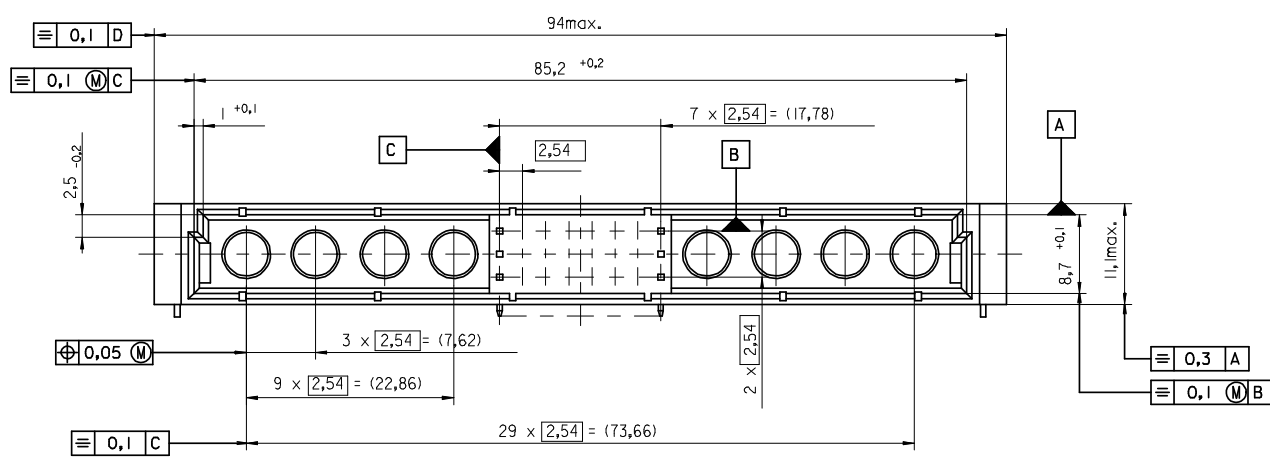
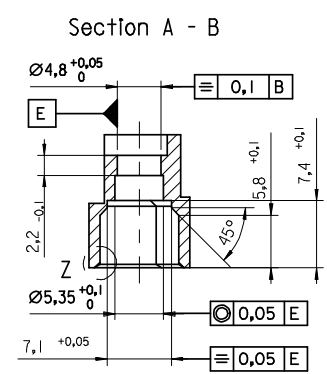
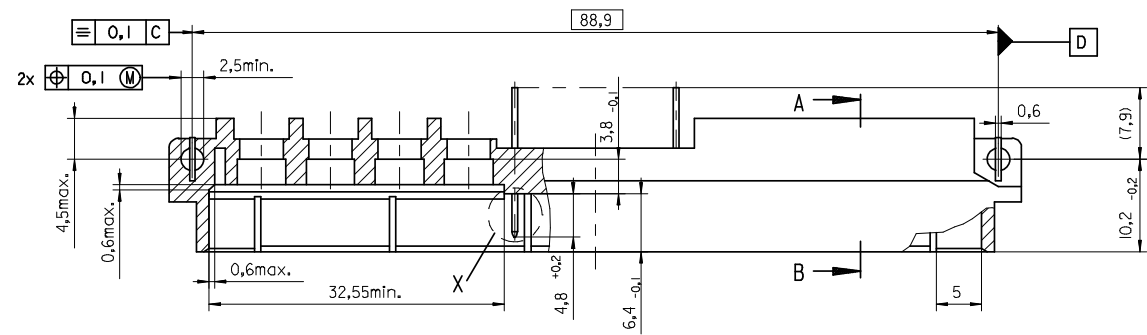
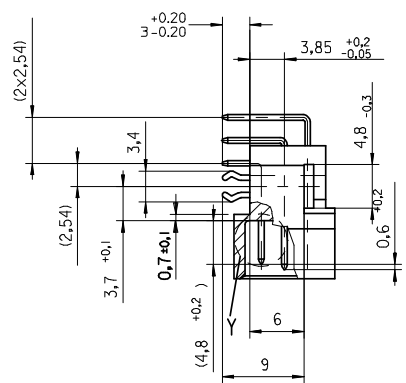
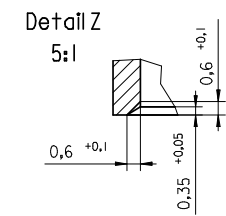
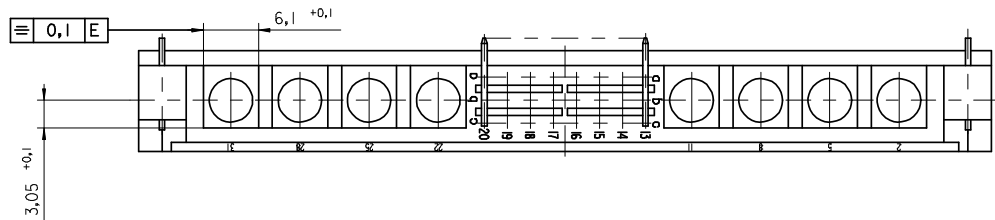
Reference - Drawing Numbers

Packaging Specification
Sales Drawing

PK-85009-001
SDA-85009-0001, SDA-85009-0684

This document was generated on 05/17/2010

PLEASE CHECK WWW.MOLEX.COM FOR LATEST PART INFORMATION



EC NO: I2009-0039 2008/07/28 DRWING: CHKD:KPRASAD 2008/07/31 APPR:KPRASAD 2008/08/11 REV DESCRIPTION	QUALITY SYMBOLS	GENERAL TOLERANCES (UNLESS SPECIFIED) <table border="1"> <tr> <th></th> <th>mm</th> <th>INCH</th> </tr> <tr> <td>4 PLACES</td> <td>± ---</td> <td>± ---</td> </tr> <tr> <td>3 PLACES</td> <td>± ---</td> <td>± ---</td> </tr> <tr> <td>2 PLACES</td> <td>± ---</td> <td>± ---</td> </tr> <tr> <td>1 PLACE</td> <td>± ---</td> <td>± ---</td> </tr> </table> ANGULAR ± 2 °		mm	INCH	4 PLACES	± ---	± ---	3 PLACES	± ---	± ---	2 PLACES	± ---	± ---	1 PLACE	± ---	± ---	DIMENSION STYLE MM ONLY	SCALE 2:1	DESIGN UNITS METRIC	THIRD ANGLE PROJECTION
			mm	INCH																	
4 PLACES	± ---	± ---																			
3 PLACES	± ---	± ---																			
2 PLACES	± ---	± ---																			
1 PLACE	± ---	± ---																			
EC NO: I2009-0039 2008/07/28 DRWING: CHKD:KPRASAD 2008/07/31 APPR:KPRASAD 2008/08/11 REV DESCRIPTION	DRAFT WHERE APPLICABLE MUST REMAIN WITHIN DIMENSIONS	DRAWN BY DATE CA 1995/06/12 CHECKED BY DATE KN 1995/06/12 APPROVED BY DATE KN 1995/06/12	MATERIAL NO. -----	TITLE 24POS. MALE DIN CONNECTOR DIN 41612 STYLE M	DOCUMENT NO. SDA-85009-0001	SHEET NO. 1 OF 2															

