

PLEASE CHECK WWW.MOLEX.COM FOR LATEST PART INFORMATION

Part Number: [1200660381](#)
Status: **Active**
Overview: microchange m12 connectors
Description: Micro-Change® (M12) Double-Ended Cordset, Female to Male, 90° to Straight, 4 Poles, Length 5.0m (16.40'), TPE Cable

Documents:

[Drawing \(PDF\)](#) [RoHS Certificate of Compliance \(PDF\)](#)

Agency Certification

CSA LR6837
 UL E152210

General

Product Family Industrial Cordsets
 Series [120066](#)
 Connector End A Micro-Change® (M12)
 Connector End B Micro-Change® (M12)
 IP Rating IP67
 NEMA Rating NEMA 6
 Overview [microchange m12 connectors](#)
 Product Name Micro-Change® (M12)
 Type Double Ended

Physical

Cable Diameter 5.33mm (.210")
 Cable Length 5.0m (16.40')
 Color - Cable Jacket Yellow
 Coupling Style Threaded
 Gender Female-Male
 Keyway Single
 LED Indicator No
 Material - Cable Jacket TPE
 Material - Connector Body TPE
 Material - Contact Copper
 Material - Coupling Nut Nickel-plated Brass
 Material - O-Ring Viton
 Material - Plating Mating Gold over Nickel
 Orientation 90° to Straight
 Poles 4
 Temperature Range - Operating -20°C to +105°C
 Wire Size AWG 22
 Wire/Cable Type UL 2464

Electrical

Current - Maximum per Contact 4A
 Voltage - Maximum 250V AC/DC

Material Info

Old Part Number 884031K05M050

Reference - Drawing Numbers

Sales Drawing SD-120066-024

EU RoHS

**ELV and RoHS
 Compliant
 REACH SVHC
 Not Reviewed
 Halogen-Free
 Status
 Not Reviewed**

China RoHS



**Need more information on product
 environmental compliance?**

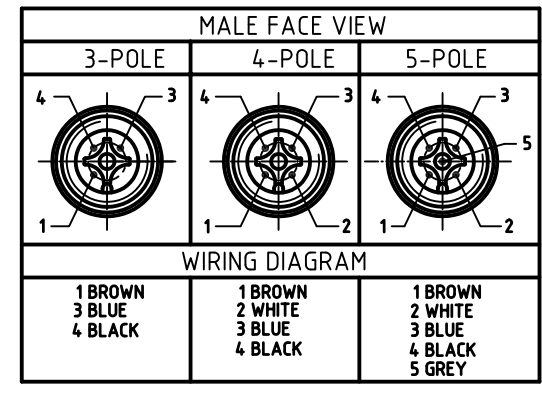
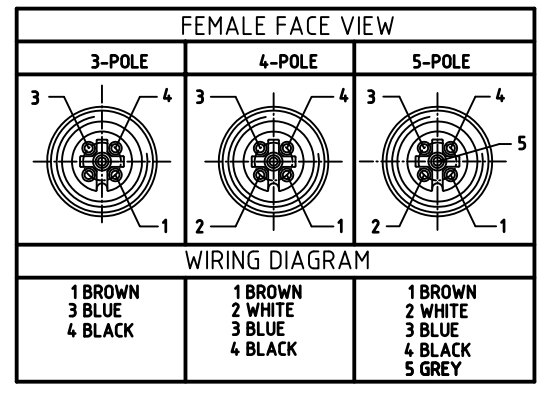
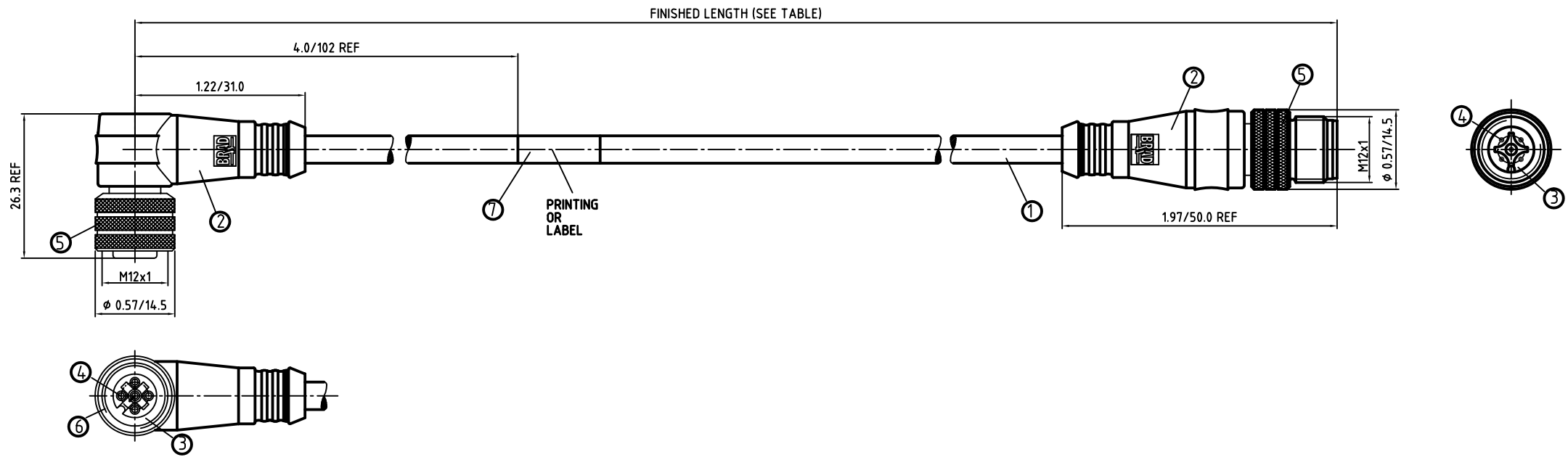
Email productcompliance@molex.com
 For a multiple part number RoHS Certificate of Compliance, [click here](#)

Please visit the [Contact Us](#) section for any non-product compliance questions.

Search Parts in this Series

[120066Series](#)

PLEASE CHECK WWW.MOLEX.COM FOR LATEST PART INFORMATION



CONNECTOR SPECIFICATION:


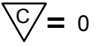
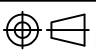

VOLTAGE RATING	250 VAC/VDC
AMPERAGE RATING	max. 4 AMPS
PROTECTION	IP67
OPERATING TEMPERATURE	-20°C TO 105°C

ITEM	COMPONENT	MATERIAL	FINISH
7	LABLE	MYLAR	BLACK/YELLOW
6	O-RING	VITON	RED
5	COUPLER	BRASS	NICKEL PLATED
4	SOCKET/PIN CONTACT	COPPER ALLOY	GOLD OVER NICKEL
3	INSERT	NYLON	BLACK
2	OVERMOLD	TPE	YELLOW
1	CABLE- 22/3-5 (COPPER STRANDING) 3/4/5 CONDUCT. 300V	TPE JACKET	YELLOW

DESCRIPTION EC NO: WEU2010-0317 DRWN: LSTEMMLE 2010/02/01 CHKD: NS APPR: FPACHER 2010/02/03 1 REV	QUALITY SYMBOLS ▽ = 0 ∇ = 0	GENERAL TOLERANCES (UNLESS SPECIFIED) mm INCH 4 PLACES ±--- ±--- 3 PLACES ±--- ±--- 2 PLACES ±--- ±.01 1 PLACE ±0.3 ±--- ANGULAR ± --- °	DIMENSION STYLE IN/MM DRAWN BY DATE LSTEMMLE 2010/02/01 CHECKED BY DATE RE 2010/02/02 APPROVED BY DATE FPACHER 2010/02/03	SCALE 1:1 DESIGN UNITS METRIC THIRD ANGLE PROJECTION	MICRO-CHANGE CORDSET 3/4/5 P. FE 90 / MA STR 22/3-5 YELLOW TPE CABLE	MOLEX MOLEX INCORPORATED DOCUMENT NO. SD-120066-024 SHEET NO. 1 OF 1
	DRAFT WHERE APPLICABLE MUST REMAIN WITHIN DIMENSIONS		SEE TABLE SHEET 2	THIS DRAWING CONTAINS INFORMATION THAT IS PROPRIETARY TO MOLEX INCORPORATED AND SHOULD NOT BE USED WITHOUT WRITTEN PERMISSION		

POL	MATERIAL NUMBER	ENGINEERING NUMBER	FINISHED LENGTH
3	1200660220	883031K05M002	0.2M +44.5 -0 [0.66' +1.75" -0]
3	1200660221	883031K05M005	0.5M +44.5 -0 [1.64' +1.75" -0]
3	1200660222	883031K05M010	1.0M +55.6 -0 [3.28' +2.19" -0]
3	1200660223	883031K05M020	2.0M +88.9 -0 [6.56' +3.50" -0]
3	1200660224	883031K05M040	4.0M +165.1 -0 [13.12' +6.50" -0]
3	1200660225	883031K05M050	5.0M +165.1 -0 [16.40' +6.50" -0]

POL	MATERIAL NUMBER	ENGINEERING NUMBER	FINISHED LENGTH
4	1200660374	884031K05M005	0.5M +44.5 -0 [1.64' +1.75" -0]
4	1200660375	884031K05M006	0.6M +44.5 -0 [1.97' +1.75" -0]
4	1200660376	884031K05M010	1.0M +55.6 -0 [3.28' +2.19" -0]
4	1200660377	884031K05M015	1.5M +55.6 -0 [4.91' +2.19" -0]
4	1200660378	884031K05M020	2.0M +88.9 -0 [6.56' +3.50" -0]
4	1200660379	884031K05M030	3.0M +88.9 -0 [9.84' +3.50" -0]
4	1200660380	884031K05M040	4.0M +165.1 -0 [13.12' +6.50" -0]
4	1200660381	884031K05M050	5.0M +165.1 -0 [16.40' +6.50" -0]
4	1200660382	884031K05M060	6.0M +165.1 -0 [19.69' +6.50" -0]
4	1200660546	884031K05M100	10.0M +317.5 -0 [32.81' +12.50" -0]

DESCRIPTION EC NO.: WEU2010-0317 DRWN: LSTEMMLE 2010/02/01 CHKD: NS APPR: FPACHER 2010/02/03	QUALITY SYMBOLS  = 0  = 0	GENERAL TOLERANCES (UNLESS SPECIFIED)		DIMENSION STYLE IN/MM		SCALE 1:1	DESIGN UNITS METRIC	 THIRD ANGLE PROJECTION
		4 PLACES ±--- ±--- 3 PLACES ±--- ±--- 2 PLACES ±--- ±.01 1 PLACE ±0.3 ±---	mm INCH	DRAWN BY LSTEMMLE	DATE 2010/02/01	MICRO-CHANGE CORDSET 3/4/5 P. FE 90 / MA STR 22/3-5 YELLOW TPE CABLE		
		ANGULAR ± --- °		CHECKED BY RE	DATE 2010/02/02			
		DRAFT WHERE APPLICABLE MUST REMAIN WITHIN DIMENSIONS		SEE TABLE		APPROVED BY FPACHER	DATE 2010/02/03	 MOLEX INCORPORATED
1	REV	MATERIAL NO. SEE TABLE		DOCUMENT NO. SD-120066-024		THIS DRAWING CONTAINS INFORMATION THAT IS PROPRIETARY TO MOLEX INCORPORATED AND SHOULD NOT BE USED WITHOUT WRITTEN PERMISSION		