



PA3202

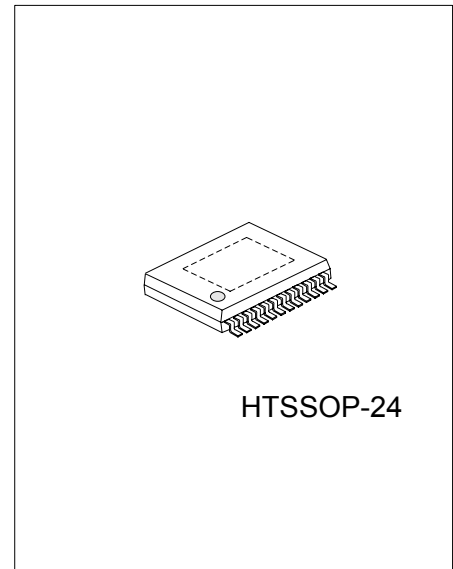
CMOS IC

2-W STEREO AUDIO POWER AMPLIFIER WITH MUTE

DESCRIPTION

The UTC **PA3202** is a monolithic integrated circuit that stereo bridged audio power amplifiers capable of producing 2 W into 3Ω with a 5V supply voltage or 800mW into 3Ω with a 3.3V supply voltage .The UTC **PA3202** simplifies design and frees up board space for other features. Both of the depop circuitry and the thermal shutdown protection circuitry are integrated in UTC **PA3202**, that reduce clicks and pops noise during power up or shutdown mode operation.

A MUX control terminal (HP/LINE) allows selection between the two sets of stereo input signals. To simplify the audio system design, UTC **PA3202** combines a stereo bridge-tied loads (BTL)mode for speaker drive and a stereo single-end (SE)mode for headphone drive into a single chip, where both modes are easily switched by the SE/BTL input control pin signal.



*Pb-free plating product number: PA3202L

FEATURES

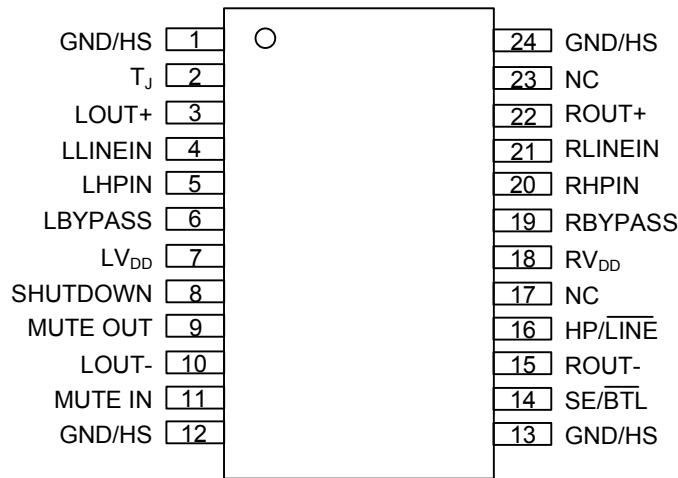
- * Improves depop circuitry to eliminate turn-on and turn-off transients in output
- * Output power:
 - 2W(typ.)@5V into 3Ω with 0.2% THD+N max (1kHz)
 - 800mW(typ.)@3.3V into 3Ω with 0.2% THD+N max (1kHz)
- * Fully specified for use with 3-Ω Loads
- * Stereo switchable bridged/single-ended power amplifiers
- * Input MUX select terminal
- * Thermal-shutdown protection
- * Shutdown mode available

ORDERING INFORMATION

Ordering Number		Package	Packing
Normal	Lead Free Plating		
PA3202-N24-R	PA3202L-N24-R	HTSSOP-24	Tape Reel
PA3202-N24-T	PA3202L-N24-T	HTSSOP-24	Tube

<p>PA3202L-N24-R</p> <p>(1)Packing Type (2)Package Type (3)Lead Plating</p>	<p>(1) R: Tape Reel, T: Tube (2) N24: HTSSOP-24 (3) L: Lead Free Plating, Blank: Pb/Sn</p>
---	--

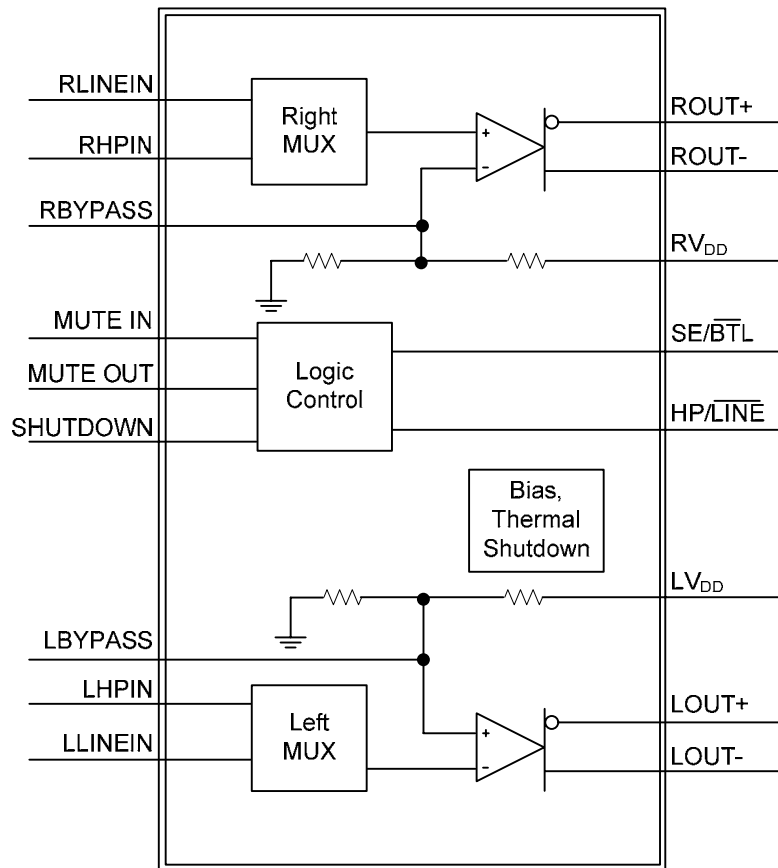
■ PIN CONFIGURATION



■ PIN DESCRIPTION

PIN NO	PIN NAME	I/O	DESCRIPTION
1, 12, 13, 24	GND/HS		Power ground; directly connected to thermal pad.
6	LBYPASS		Tap to left channel internal mid-supply voltage divider bias
17, 23	NC		No connection
19	RBYPASS		Tap to right channel internal mid-supply voltage divider bias
4	LLINE IN	I	Left channel line input; selected when HP/LINE is held low
5	LHP IN	I	Left channel headphone input; selected when HP/LINE is held high
7	LV _{DD}	I	Left channel power supply and for primary bias circuits
8	SHUTDOWN	I	Places entire IC in shutdown mode when held high, I _{DD} = 5μA
9	MUTE OUT	I	Follows MUTE IN, provides buffered output
11	MUTE IN	I	Mute all amplifiers input; high active to mute amplify, low active to normal operation
14	SE/BTL	I	SE & BTL mode selection; active high for SE mode, active low for BTL mode
16	HP/LINE	I	MUX control input, active high to select headphone input, active low to select line input
18	RV _{DD}	I	Right channel power supply
20	RHPIN	I	Right channel headphone input, selected when HP/LINE is held high
21	RLINEIN	I	Right channel line input, selected when HP/LINE is held low
2	T _J	O	Sources current proportional to the junction temperature. Left floating for normal operation.
3	LOUt+	O	Left channel + output in BTL & SE mode
10	LOUt-	O	Left channel – output in BTL mode & high-impedance in SE mode
22	ROUt+	O	Right channel + output in BTL & SE mode
15	ROUt-	O	Right channel – output in BTL mode & high impedance in SE mode

■ BLOCK DIAGRAM



■ ABSOLUTE MAXIMUM RATINGS (unless otherwise specified)

PARAMETER	SYMBOL	RATINGS	UNIT
Supply Voltage	V_{DD}	6	V
Input Voltage	V_{IN}	$-0.3 \sim V_{DD} \sim +0.3$	V
Continuous Total Power Dissipation	P_D	Internally limited	
Junction Temperature	T_J	+150	
Operating Temperature	T_{OPR}	-40 ~ +85	
Storage Temperature	T_{STG}	-65 ~ +150	

Note: Absolute maximum ratings are those values beyond which the device could be permanently damaged.

Absolute maximum ratings are stress ratings only and functional device operation is not implied.

■ RECOMMENDED OPERATING CONDITIONS

PARAMETER	SYMBOL		MIN	NOM	MAX	UNIT
Supply Voltage	V_{DD}		3	5	5.5	V
Operating Temperature	T_{OPR}	$V_{DD} = 5\text{ V}$, 250 mW/ch average power, 4- Ω stereo BTL drive, with proper PCB design	-40		85	
		$V_{DD} = 5\text{ V}$, 2 W/ch average power, 3- Ω stereo BTL drive, with proper PCB design	-40		85	
Common Mode Input Voltage	V_{ICM}	$V_{DD}=5\text{V}$	1.25		4.5	V
		$V_{DD}=3.3\text{V}$	1.25		2.7	

■ DC ELECTRICAL CHARACTERISTICS ($T_A = 25^\circ\text{C}$)

PARAMETER	SYMBOL	TEST CONDITIONS	MIN	TYP ⁽¹⁾	MAX	UNIT	
Supply Current	I_{DD}	$V_{DD}=5\text{V}$	Stereo BTL		19	30	mA
			Stereo SE		9	18	
			Mono BTL		9	18	
			Mono SE		3	10	
	$V_{DD}=3.3\text{V}$		Stereo BTL		13	20	mA
			Stereo SE		5	10	
			Mono BTL		5	10	
			Mono SE		3	6	
Output Offset Voltage (Measured Differentially)	$V_{O(OFF)}$	$V_{DD} = 5\text{ V}$, Gain = 2, See Note 1		5	25	mV	
Supply Current in Mute Mode	$I_{DD(MUTE)}$	$V_{DD}=5\text{V}$		1		mA	
I_{DD} in Shutdown	$I_{DD(SD)}$	$V_{DD}=5\text{V}$		5	19	μA	

Note 1. At $3\text{ V} < V_{DD} < 5\text{ V}$ the dc output voltage is approximately $V_{DD}/2$.

■ AC OPERATING CHARACTERISTICS

V_{DD} = 5 V, T_A = 25 , R_L = 3Ω

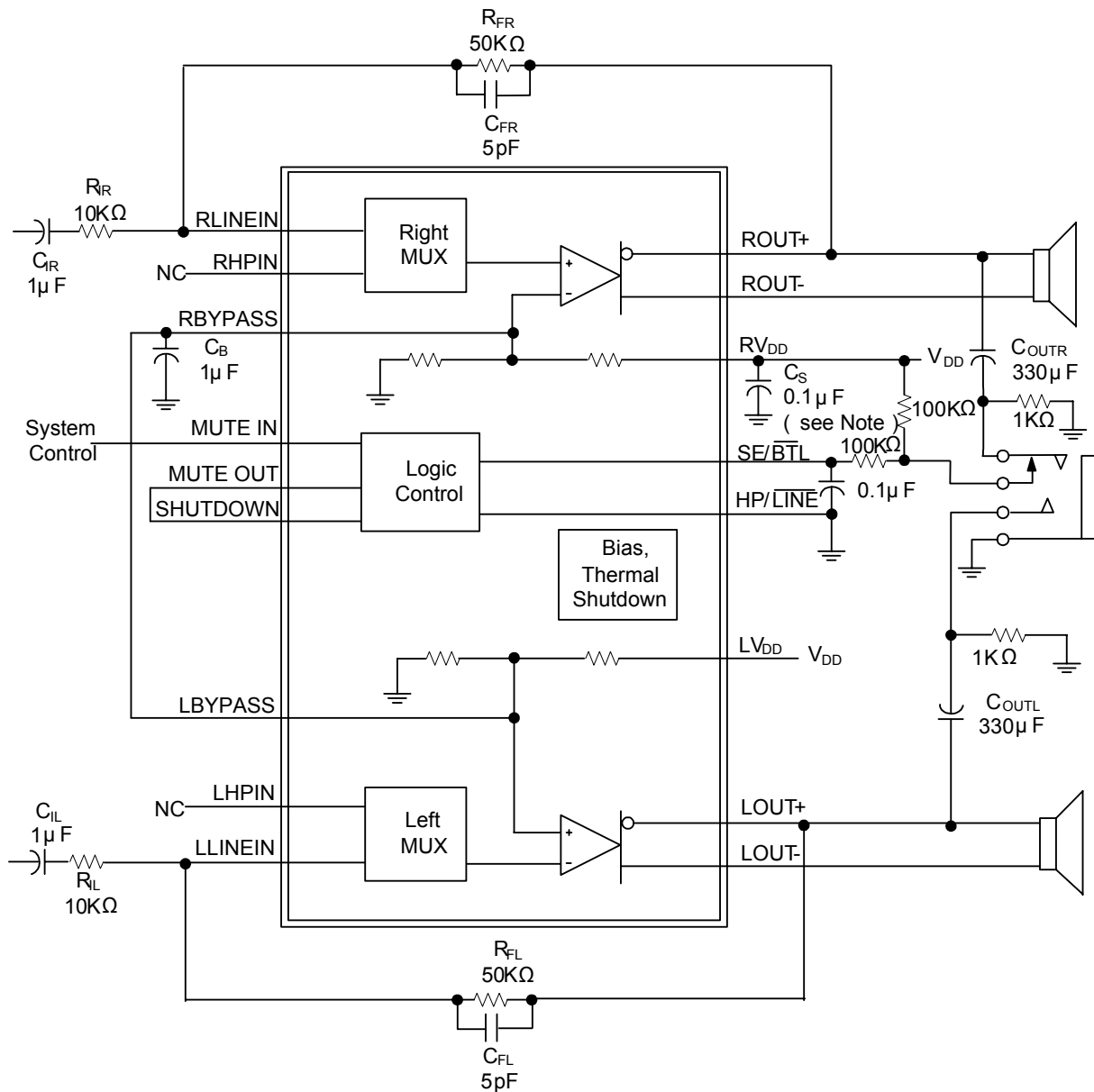
PARAMETER	SYMBOL	TEST CONDITIONS	MIN	TYP	MAX	UNIT
Output Power (Each Channel) See Note 2	P _{OUT}	THD =0.2% BTL		2		W
		THD =1% BTL		2.2		
Total Harmonic Distortion Plus Noise	TDH+N	P _{OUT} = 2 W, f = 20 ~20 kHz		200		m%
		V _{IN} = 1V, R _L =10KΩ, A _V =1V/V		100		m%
Maximum Output Power Bandwidth	B _W	A _V = 10 V/V, THD < 1 %,		>20		KHz
Phase Margin		R _L = 4 Ω, Open Loop,		85°		
Supply Ripple Rejection Ratio	RR	f = 1 kHz		80		dB
		f = 20~20kHz,		60		
Mute Attenuation				85		dB
Channel-to-Channel Output Separation		f = 1 kHz		85		dB
Line/HP Input Separation				100		dB
BTL Attenuation in SE Mode				100		dB
Input Impedance	Z _{IN}			2		MΩ
Signal-to-Noise Ratio		P _{OUT} =500mW, BTL		95		dB
Output Noise Voltage	eN			21		μV _(RMS)

V_{DD} = 3.3 V, T_A = 25 , R_L = 3Ω

PARAMETER	SYMBOL	TEST CONDITIONS	MIN	TYP	MAX	UNIT
Output Power (Each Channel) See Note 2	P _{OUT}	THD =0.2% BTL		800		mW
		THD =1% BTL		900		
Total Harmonic Distortion Plus Noise	TDH+N	P _{OUT} = 800mW, f = 20 ~20 kHz		350		m%
		V _{IN} = 1V, R _L =10KΩ, A _V =1V/V		200		m%
Maximum Output Power Bandwidth	B _W	A _V = 10 V/V, THD < 1 %,		>20		KHz
Phase Margin		R _L = 4 Ω, Open Loop		85°		
Supply Ripple Rejection Ratio	RR	f = 1 kHz		70		dB
		f = 20~20kHz,		55		
Mute Attenuation				85		dB
Channel-to-Channel Output Separation		f = 1 kHz		85		dB
Line/HP Input Separation				100		dB
BTL Attenuation in SE Mode				100		dB
Input Impedance	Z _{IN}			2		MΩ
Signal-to-Noise Ratio		P _{OUT} =500mW, BTL		95		dB
Output Noise Voltage	eN			21		μV _(RMS)

Note 2. Output power is measured at the output terminals of the IC at 1 kHz.

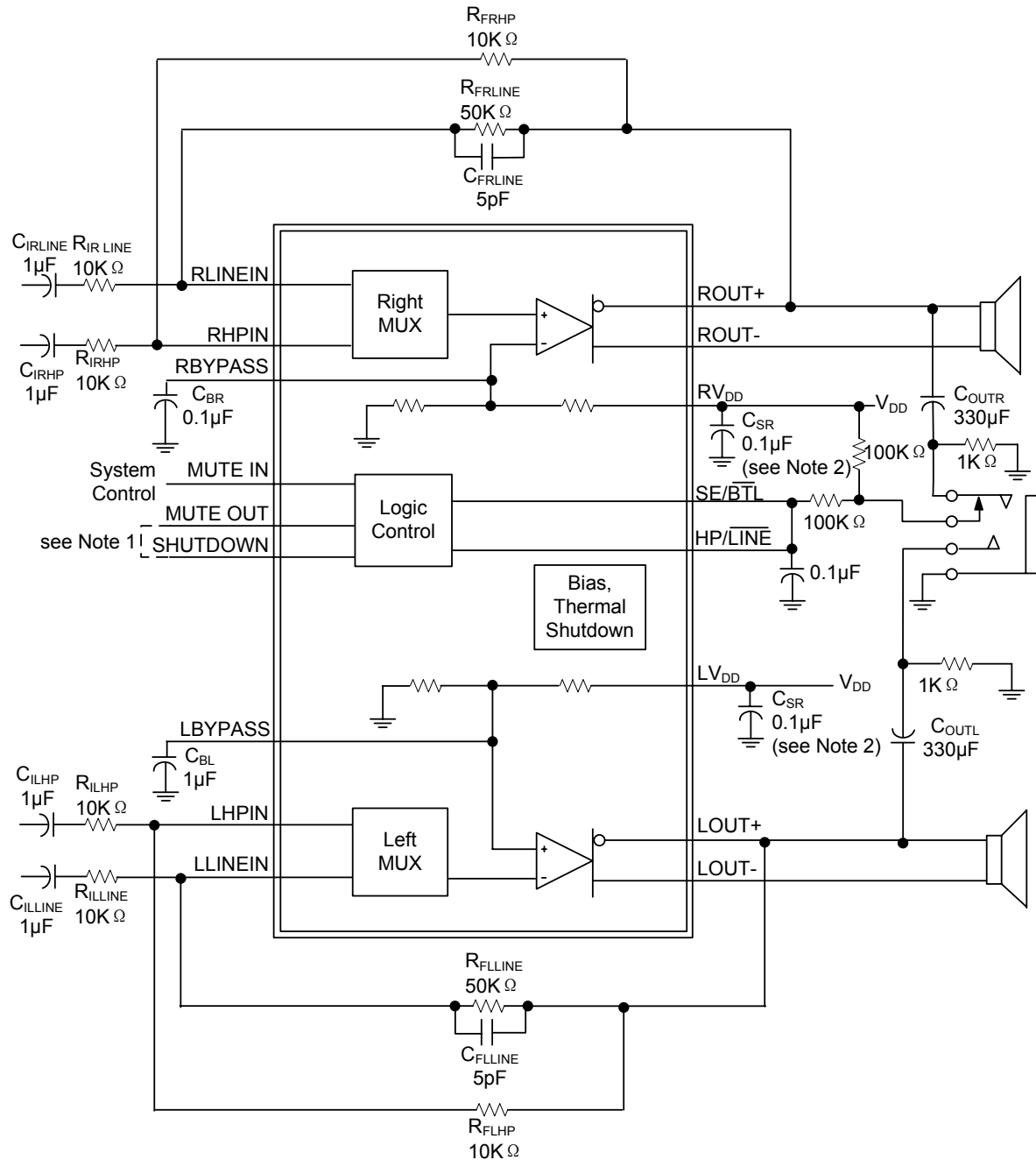
■ TYPICAL APPLICATION CIRCUIT



Note: 0.1 μ F ceramic capacitor should be placed as close as possible to the IC. For filtering lower frequency noise signals, a larger aluminum electrolytic capacitor of 10 μ F or greater should be placed near the audio power amplifier.

PA3202 Minimum Configuration Application Circuit

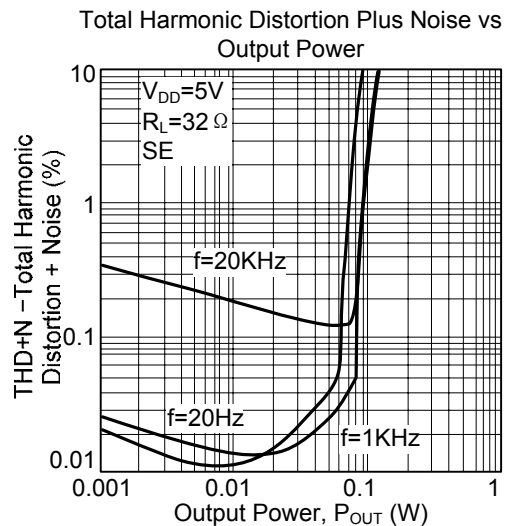
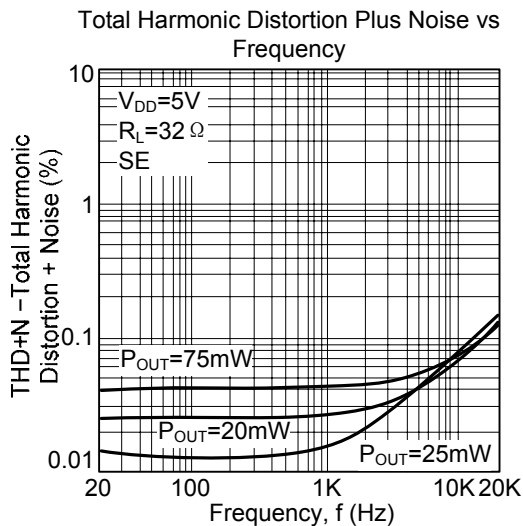
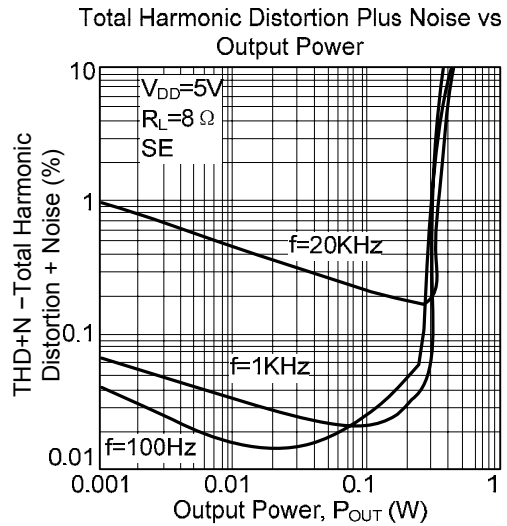
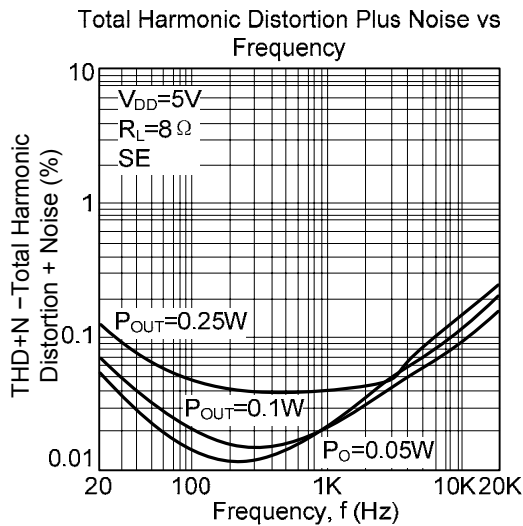
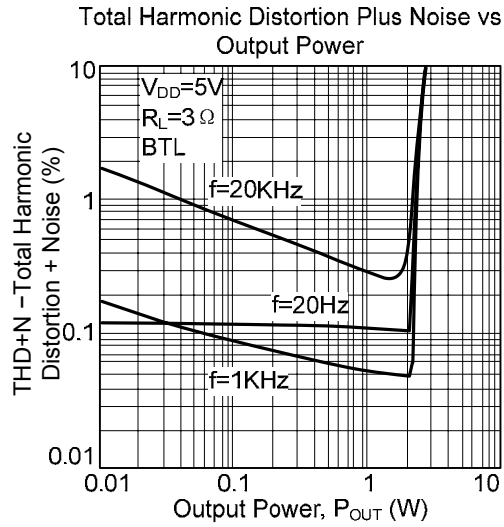
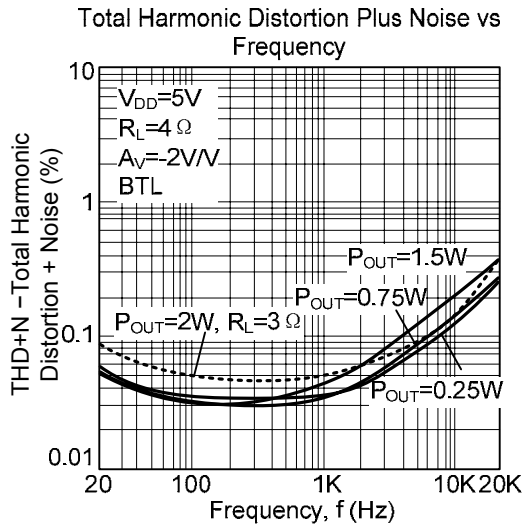
■ TYPICAL APPLICATION CIRCUIT



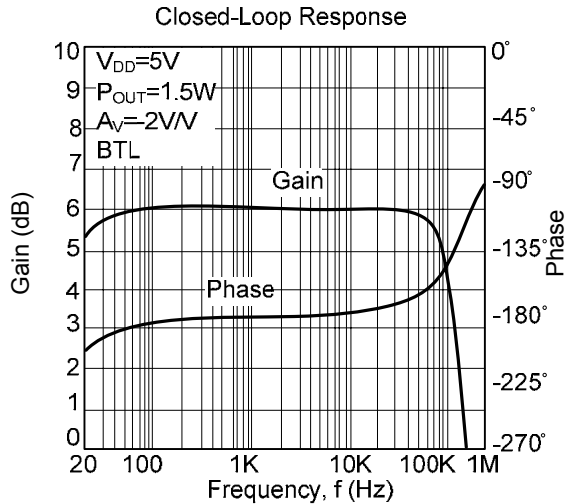
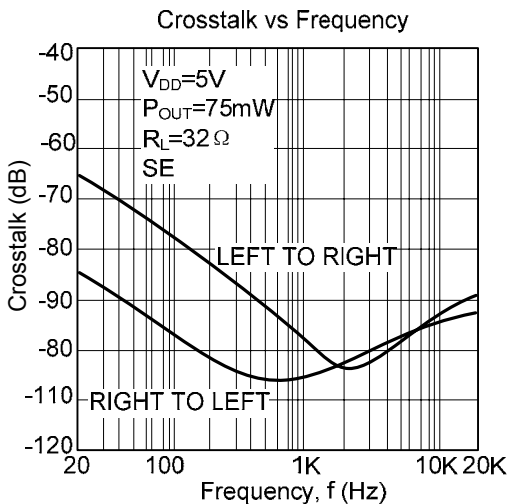
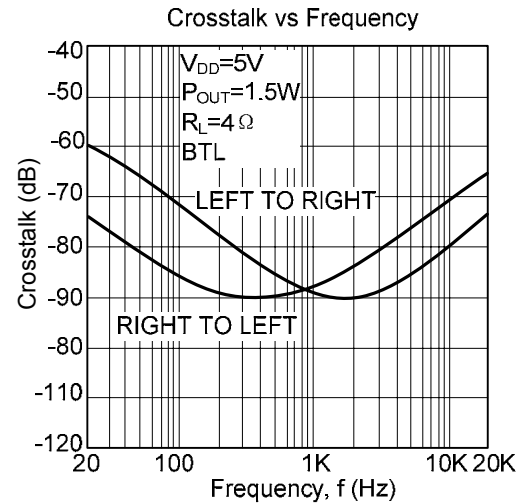
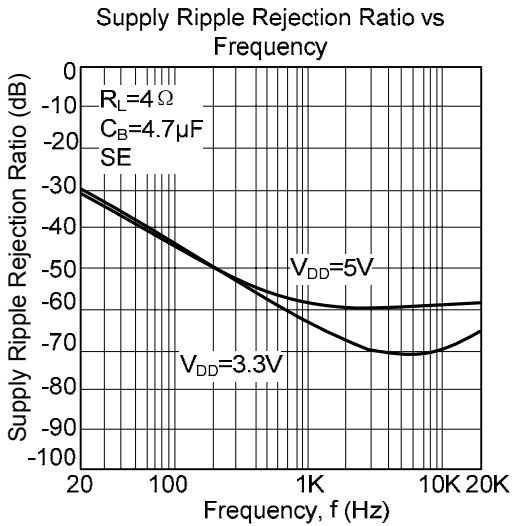
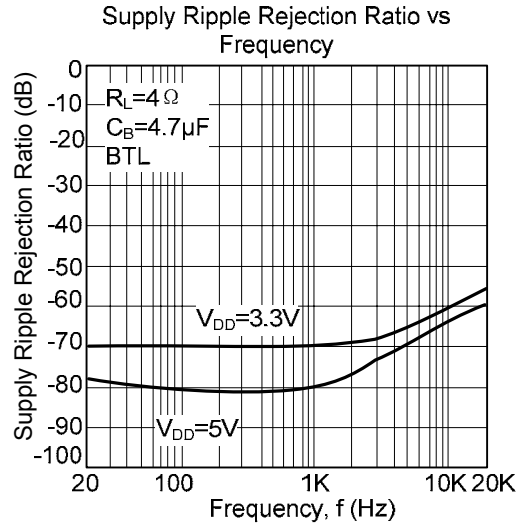
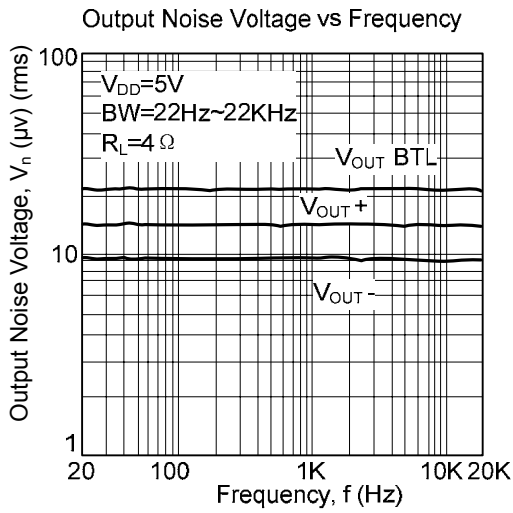
- Note:1. This connection is for ultra-low current in shutdown mode.
 2. A 0.1 μF ceramic capacitor should be placed as close as possible to the IC. For filtering lower-frequency noise signals, a larger aluminum electrolytic capacitor of 10 μF or greater should be placed near the audio power amplifier.

PA3202 Full Configuration Application Circuit

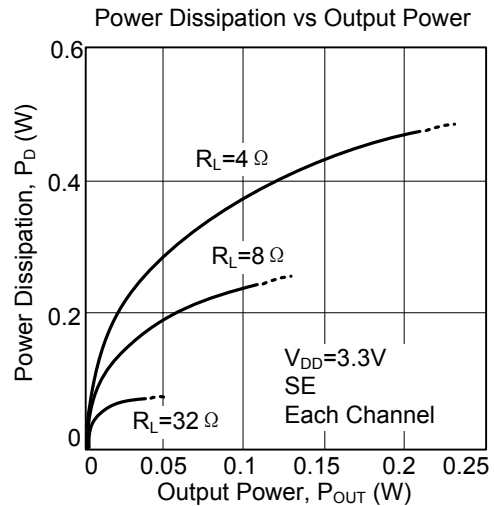
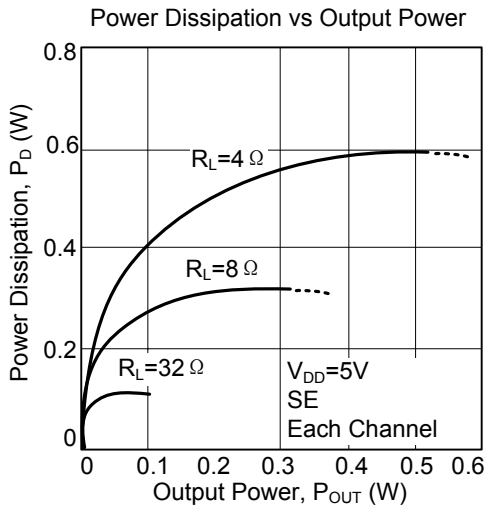
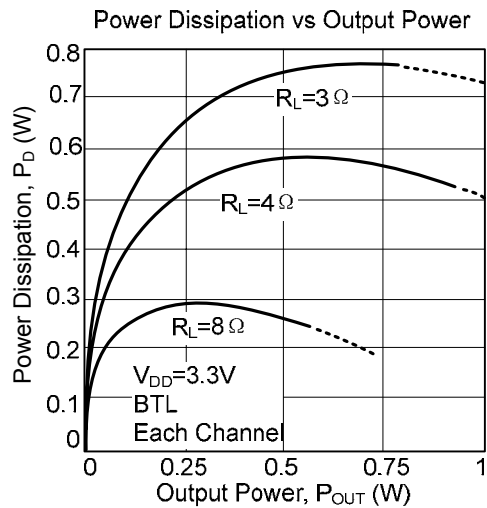
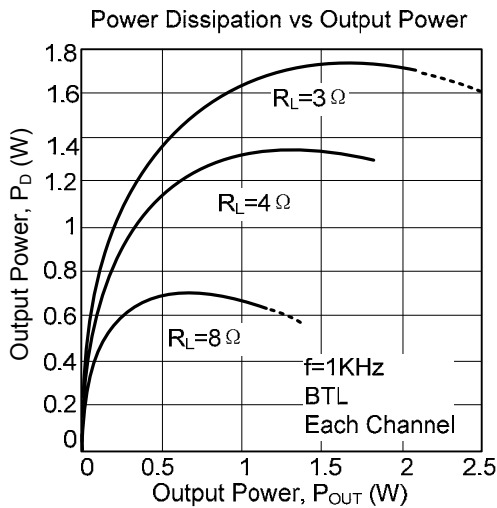
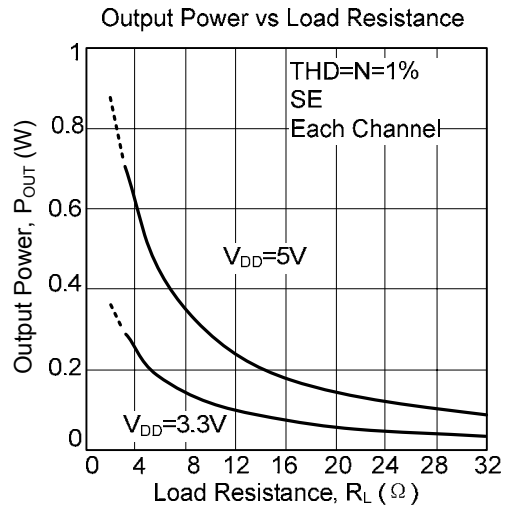
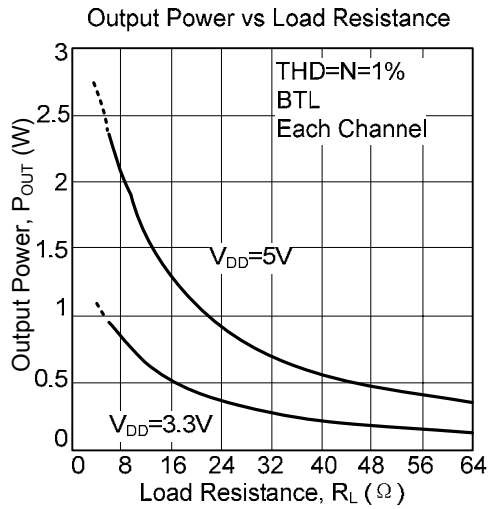
■ TYPICAL CHARACTERISTICS



■ TYPICAL CHARACTERISTICS(Cont.)



■ TYPICAL CHARACTERISTICS(Cont.)



UTC assumes no responsibility for equipment failures that result from using products at values that exceed, even momentarily, rated values (such as maximum ratings, operating condition ranges, or other parameters) listed in products specifications of any and all UTC products described or contained herein. UTC products are not designed for use in life support appliances, devices or systems where malfunction of these products can be reasonably expected to result in personal injury. Reproduction in whole or in part is prohibited without the prior written consent of the copyright owner. The information presented in this document does not form part of any quotation or contract, is believed to be accurate and reliable and may be changed without notice.