

PMP55 Series

40-55 WATTS SINGLE & MULTIPLE OUTPUT AC/DC MEDICAL

Features

- **Input surge current protection.**
- **Overvoltage protection.**
- **Overcurrent protection.**
- **Short-circuit protection with auto recovery.**
- **100% burn-in at full rated load.**



Specifications

INPUT

Input Voltage	85-264Vac
Frequency	47Hz–67Hz
Input Current	1.50A (rms) for 115Vac. 0.90A (rms) for 230Vac.
Leakage current	90µA max. @ 115Vac. 60Hz. 150µA max. @ 230Vac. 50Hz.
Isolation	Input – Output: 4000Vac Input – Ground: 1500Vac Output – Ground: 500Vac
Inrush Current	15A @ 115V, 30A @ 230V

OUTPUT

Output Voltage	See table
Output Current	See table
Ripple & Noise	1% peak to peak
Line Regulation	±0.5% maximum at full load.
Load Regulation	See table
Transient Response	Max. deviation 4% recovering to 1% within 500µs after 25% load charge
Overvoltage Protection	Provided on V1 only. Set at 110%–132% of nominal.
Overcurrent Protection	All outputs protected for short circuit conditions
Temperature Coefficient	All outputs ±0.04% per °C.
Holdup Time	Typically 10ms at 110VAC.

OPERATING

MTBF	450,000 hrs @ 25°C
Efficiency	65-70% minimum.

ENVIRONMENTAL

Operating Temperature	0°C to 70°C
Derating	Derate to 50% at 70°C
Storage Temperature	-40°C to 85°C
Relative Humidity	5%–95% non-condensing

STANDARDS AND APPROVALS

Safety standards	UL2601-1, CSA C22.2, TUV EN60601-1
C-Tick	AS/NZS CISPR11 Group 1, Class A
EMC standards	EN60601-1-2: 2001, EN61000-3-2, -3, EN61000-4-2, -3, -4, -5, -6, -8, -11
EMI standards	EN55011 Class B, FCC Class B, VCCI Class B
MEPS compliance	TBC

MECHANICAL

Dimensions	178x95x60mm
Weight	0.7kgs approx.

PMP55 Series

40-55 WATTS SINGLE & MULTIPLE OUTPUT AC/DC MEDICAL

Selection Table

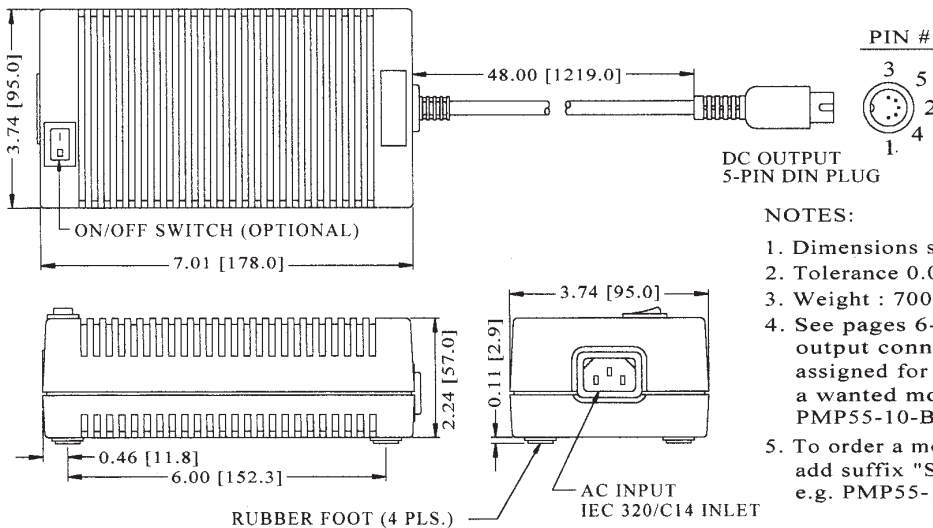
MODEL NUMBER	OUTPUT #1				OUTPUT #2				OUTPUT #3				MAX. OUTPUT POWER
	VNOM	IMIN	IMAX	TOL	VNOM	IMIN	IMAX	TOL	VNOM	IMIN	IMAX	TOL	POWER
PMP55-10	5-6V	0A	8.0A	5%									40W
PMP55-10-1	6-8V	0A	7.5A	5%									45W
PMP55-11	9-11V	0A	5.0A	5%									50W
PMP55-12	11-13V	0A	4.6A	5%									55W
PMP55-13	13-17V	0A	3.7A	3%									55W
PMP55-13-1	17-21V	0A	3.1A	3%									55W
PMP55-14	21-27V	0A	2.3A	3%									55W
PMP55-16	27-33V	0A	1.9A	3%									55W
PMP55-17	33-39V	0A	1.6A	3%									55W
PMP55-18	48V	0A	1.2A	3%									55W
PMP55-23	+5V	1A	5.0A	5%	+12V	0.5A	3.0A	5%					45W
PMP55-24	+5V	1A	5.0A	5%	+15V	0.4A	2.5A	5%					45W
PMP55-25	+5V	1A	5.0A	5%	+24V	0.3A	2.0A	5%					45W
PMP55-31	+5V	1A	5.0A	5%	+12V	0.5A	3.0A	5%	-12V	0.1A	0.5A	10%	45W
PMP55-32	+5V	1A	5.0A	5%	+15V	0.4A	2.5A	5%	-15V	0.1A	0.5A	10%	45W

NOTES: The output voltage of a multiple output model may go outside of the stated tolerance when an output load current is of out of stated limits.
All models may be operated at no load without damage

Pin Chart

MODEL/PIN	1	2	3	4	5
PMP55-10					
PMP55-10-1					
PMP55-11					
PMP55-12					
PMP55-13					
PMP55-23	Common	Common	Output 1	Common	Output 2
PMP55-24	Return	Return	1	Return	2
PMP55-31	Common	Common	Output 1	Output 3	Output 2
PMP55-32	Return	Return	1	3	2

Technical Illustration



NOTES:

1. Dimensions shown in inch [mm]
2. Tolerance 0.02 [0.5] maximum
3. Weight : 700 grams approx.
4. See pages 6-5 to 6-10 for optional output connectors. Add the suffix assigned for a selected connector to a wanted model number, e.g. PMP55-10-B2, for ordering.
5. To order a model with on/off switch, add suffix "S" to the model number, e.g. PMP55-10-B2-S.