



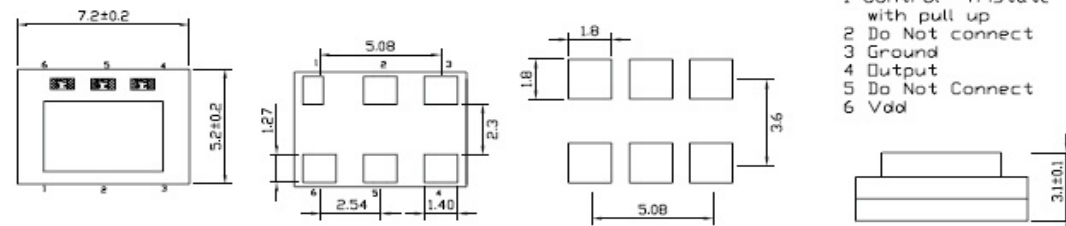
Features:

- tristate available
- short delivery time
- very low tolerance

Preliminary

Specifications				Remarks
			<i>APTCQO 7050</i>	
Frequency range			1.5MHz ~200MHz	Please specify
Frequency stability			±2.5ppm	Please specify
Operating temperature			-30°C ~ +75°C	Please specify
Aging			1ppm / 1st year	
Storage temperature			-40°C ~ +85°C	Please specify
Input	Voltage		3,3V ±5%	Please specify
	Current		35mA 1.5~200MHz	Max
Vdd Rise time			100 uS	Min
Start-up time			3 mS typ, 10mS max.	
Phase noise @ 10 kHz			-100 dBc/Hz	Max
Output symmetry			45% ~ 55%	Please specify
Output	Rise and fall time		2.4ns	Max
	Logic "0" level		+0.4V	
	Logic "1" level		vdd -0.4V	
Output load			CMOS / 15pF	

APTCQO 7050



Pin Function

- 1 Control -Tristate with pull up
- 2 Do Not connect
- 3 Ground
- 4 Output
- 5 Do Not Connect
- 6 Vdd

Dimensions in mm

Order key								
O	- 10.000000M	- APTCQO 7050	- 2,5	- 3,3	- A	-	/ T /	TR
Part	Frequency	Type	Tolerance	Voltage	Temperature	Load	Option	Packaging
O=Oscillator	M=MHz	APTCQO=Quartz oscillator 7050=SMD 7x5	±ppm	3.3=3.3Volt	A= 0°C ~ +70°C B= -10°C ~ +60°C C= -10°C ~ +70°C D= -20°C ~ +70°C K= -30°C ~ +75°C	blank = 15pF	T=Tristate	blank=tube