

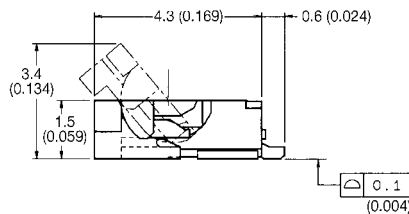
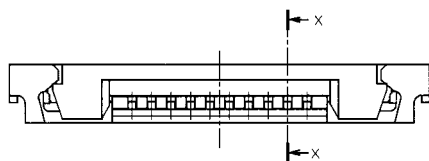
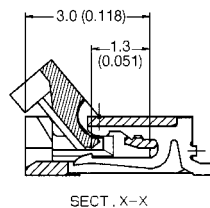
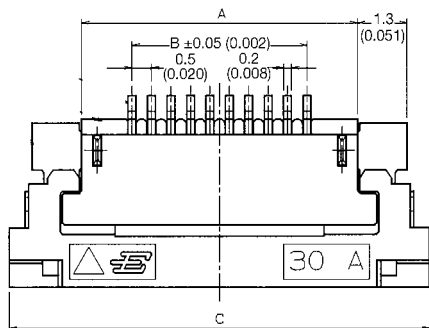
0.50mm Pitch

Series 6239/6269 - ZIF Right Angle SMT One-Touch Lock (Bottom Contact Type)

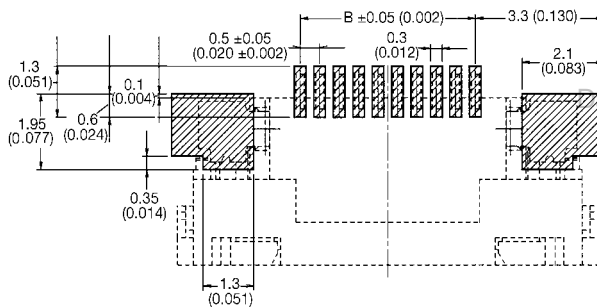


Specifications

- Number of Contacts – 5-30
- 2000 Connectors per Tape & Reel
- Voltage – 50V
- Current Rating – 0.4 amp max.
- Dielectric Withstanding Voltage – 200V RMS min.
- Operating Temperature – (-20°C - +85°C)
- Contact Material – phosphor bronze (tin-lead plated)
- Insulator Material – nylon 46, natural color
- Slider Material – PPS, natural color
- FFC/FPC Thickness – 0.3 ± 0.05mm (0.012 ± 0.002")
- Profile Height – 1.50mm



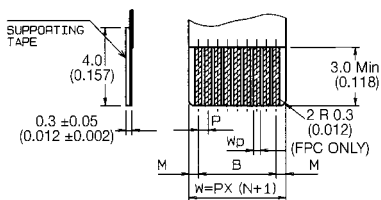
| No. of Contacts | Dimension | | |
|-----------------|--------------|--------------|--------------|
| | A | B | C |
| 05 | 4.6 (0.181) | 2.0 (0.079) | 8.3 (0.327) |
| 06 | 5.1 (0.201) | 2.5 (0.098) | 8.8 (0.346) |
| 07 | 5.6 (0.220) | 3.0 (0.118) | 9.3 (0.366) |
| 08 | 6.1 (0.240) | 3.5 (0.138) | 9.8 (0.386) |
| 09 | 6.6 (0.260) | 4.0 (0.157) | 10.3 (0.406) |
| 10 | 7.1 (0.280) | 4.5 (0.177) | 10.8 (0.425) |
| 11 | 7.6 (0.299) | 5.0 (0.197) | 11.3 (0.445) |
| 12 | 8.1 (0.319) | 5.5 (0.217) | 11.8 (0.465) |
| 13 | 8.6 (0.339) | 6.0 (0.236) | 12.3 (0.484) |
| 14 | 9.1 (0.358) | 6.5 (0.256) | 12.8 (0.504) |
| 15 | 9.6 (0.378) | 7.0 (0.276) | 13.3 (0.524) |
| 16 | 10.1 (0.398) | 7.5 (0.295) | 13.8 (0.543) |
| 17 | 10.6 (0.417) | 8.0 (0.315) | 14.3 (0.563) |
| 18 | 11.1 (0.437) | 8.5 (0.335) | 14.8 (0.583) |
| 19 | 11.6 (0.457) | 9.0 (0.354) | 15.3 (0.602) |
| 20 | 12.1 (0.476) | 9.5 (0.374) | 15.8 (0.622) |
| 21 | 12.6 (0.496) | 10.0 (0.394) | 16.3 (0.642) |
| 22 | 13.1 (0.516) | 10.5 (0.413) | 16.8 (0.661) |
| 23 | 13.6 (0.535) | 11.0 (0.433) | 17.3 (0.681) |
| 24 | 14.1 (0.555) | 11.5 (0.453) | 17.8 (0.701) |
| 25 | 14.6 (0.575) | 12.0 (0.472) | 18.3 (0.720) |
| 26 | 15.1 (0.594) | 12.5 (0.492) | 18.8 (0.740) |
| 27 | 15.6 (0.614) | 13.0 (0.512) | 19.3 (0.760) |
| 28 | 16.1 (0.634) | 13.5 (0.531) | 19.8 (0.780) |
| 29 | 16.6 (0.654) | 14.0 (0.551) | 20.3 (0.799) |
| 30 | 17.1 (0.673) | 14.5 (0.571) | 20.8 (0.819) |



MOUNTING LAYOUT (CONN. MOUNTING SIDE)

| | FFC | | FPC | |
|-----------|---------------------------------------|---------------------------------------|--|-----------|
| | 1 | 2 | 1 | 2 |
| M | 0.5±0.1 | 0.5±0.08 | 0.5±0.12 | 0.5±0.1 |
| P | 0.5±0.03 | 0.5±0.05 | 0.5±0.02 | 0.5±0.05 |
| B | B±0.03 | B±0.05 | B±0.03 | B±0.05 |
| W | W±0.07 | W±0.07 | W±0.07 | W±0.07 |
| Wp | 0.3 ^{+0.05} _{-0.02} | 0.3 ^{+0.05} _{-0.02} | 0.35 ^{+0.04} _{-0.03} | 0.35±0.05 |

Applicable FFC, FPC



HOW TO ORDER

04

62XX

0XX

001

800

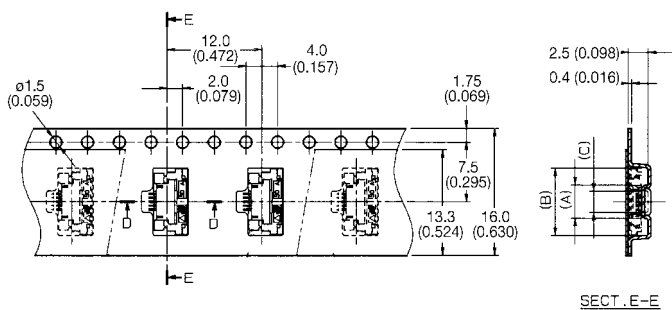
Series Number
6239
6269 (C/Ag type)

Number of Contacts

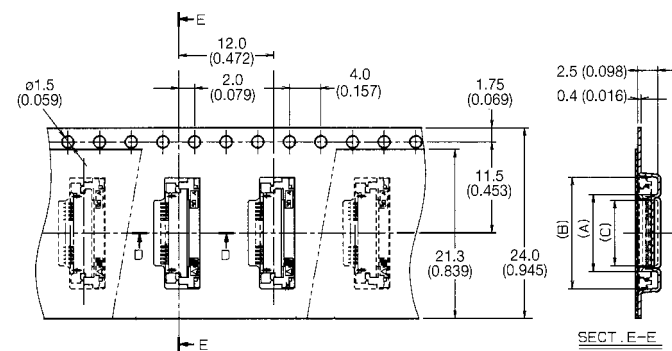
2000 Connectors per Tape and Reel

0.50mm Pitch

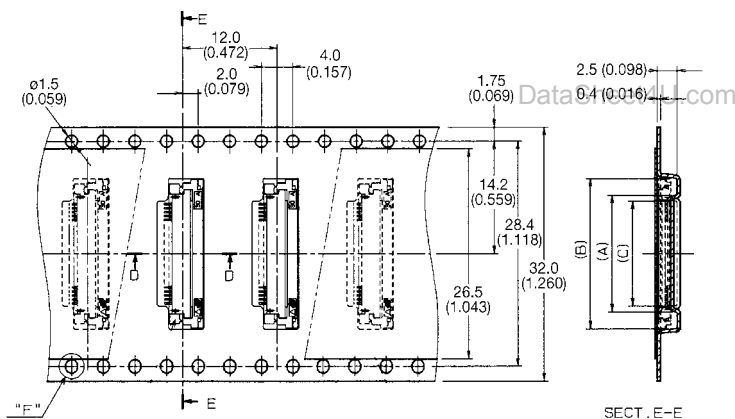
Series 6239/6269 - Tape and Reel Package



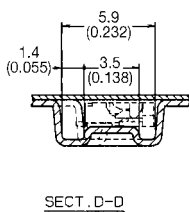
| No. of Contacts | Dimension | | |
|-----------------|-------------|-------------|-------------|
| | A | B | C |
| 05 | 4.2 (0.165) | 8.5 (0.335) | 2.7 (0.106) |



| No. of Contacts | Dimension | | |
|-----------------|--------------|--------------|--------------|
| | A | B | C |
| 06 | 4.7 (0.185) | 9.0 (0.354) | 3.2 (0.126) |
| 07 | 5.2 (0.205) | 9.5 (0.374) | 3.7 (0.146) |
| 08 | 5.7 (0.224) | 10.0 (0.394) | 4.2 (0.165) |
| 09 | 6.2 (0.244) | 10.5 (0.413) | 4.7 (0.185) |
| 10 | 6.7 (0.264) | 11.0 (0.433) | 5.2 (0.205) |
| 11 | 7.2 (0.283) | 11.5 (0.453) | 5.7 (0.224) |
| 12 | 7.7 (0.303) | 12.0 (0.472) | 6.2 (0.244) |
| 13 | 8.2 (0.323) | 12.5 (0.492) | 6.7 (0.264) |
| 14 | 8.7 (0.343) | 13.0 (0.512) | 7.2 (0.283) |
| 15 | 9.2 (0.362) | 13.5 (0.531) | 7.7 (0.303) |
| 16 | 9.7 (0.382) | 14.0 (0.551) | 8.2 (0.323) |
| 17 | 10.2 (0.402) | 14.5 (0.571) | 8.7 (0.343) |
| 18 | 10.7 (0.421) | 15.0 (0.591) | 9.2 (0.362) |
| 19 | 11.2 (0.441) | 15.5 (0.610) | 9.7 (0.382) |
| 20 | 11.7 (0.461) | 16.0 (0.630) | 10.2 (0.402) |
| 21 | 12.2 (0.480) | 16.5 (0.650) | 10.7 (0.421) |



| No. of Contacts | Dimension | | |
|-----------------|--------------|--------------|--------------|
| | A | B | C |
| 22 | 12.7 (0.500) | 17.0 (0.669) | 11.2 (0.441) |
| 23 | 13.2 (0.520) | 17.5 (0.689) | 11.7 (0.461) |
| 24 | 13.7 (0.539) | 18.0 (0.709) | 12.2 (0.480) |
| 25 | 14.2 (0.559) | 18.5 (0.728) | 12.7 (0.500) |
| 26 | 14.7 (0.579) | 19.0 (0.748) | 13.2 (0.520) |
| 27 | 15.2 (0.598) | 19.5 (0.768) | 13.7 (0.539) |
| 28 | 15.7 (0.618) | 20.0 (0.787) | 14.2 (0.559) |
| 29 | 16.2 (0.638) | 20.5 (0.807) | 14.7 (0.579) |
| 30 | 16.7 (0.658) | 21.0 (0.827) | 15.2 (0.598) |



HOW TO ORDER

04

62XX

0XX

001

800

Series Number
6239
6269 (C/Ag type)

Number of Contacts