

# UC3842A/UC3843A

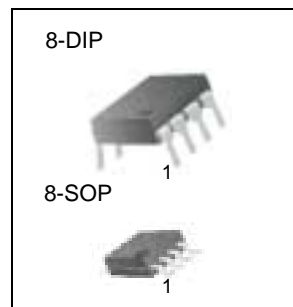
## SMPS Controller

### Features

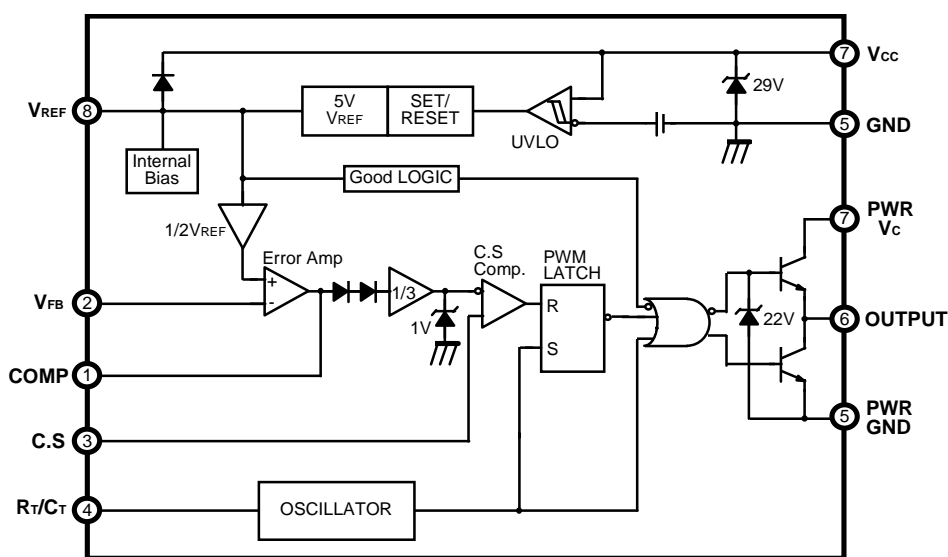
- Low Start Current 0.2mA (typ)
- Operating Range Up To 500KHz
- Cycle by Cycle Current Limiting
- Under Voltage Lock Out With Hysteresis
- Short Shutdown Delay Time: typ.100ns
- High Current Totem-pole Output
- Output Swing Limiting: 22V

### Description

The UC3842A/UC3843A are fixed PWM controller for Off-Line and DC to DC converter applications. The internal circuits include UVLO, low start up current circuit, temperature compensated reference, high gain error amplifier, current sensing comparator, and high current totem-pole output for driving a POWER MOSFET. Also UC3842A/UC3843A provide low start up current below 0.3mA and short shutdown delay time typ. 100ns. The UC3842A has UVLO threshold of 16V(on) and 10V(off). The UC3843A is 8.4V(on) and 7.6V(off). The UC3842A and UC3843A can operate within 100% duty cycle.



### Internal Block Diagram



Rev. 5.0

## Absolute Maximum Ratings

| Parameter                      | Symbol                | Value        | Unit |
|--------------------------------|-----------------------|--------------|------|
| Supply Voltage                 | V <sub>CC</sub>       | 30           | V    |
| Output Current                 | I <sub>O</sub>        | ± 1          | A    |
| Analog Inputs (pin 2, 3)       | V <sub>I(ANA)</sub>   | - 0.3 to 6.3 | V    |
| Error Amp. Output Sink Current | I <sub>SINK(EA)</sub> | 10           | mA   |
| Power Dissipation              | P <sub>D</sub>        | 1            | W    |

## Electrical Characteristics

(V<sub>CC</sub> = 15V, R<sub>T</sub> = 10K $\Omega$ , C<sub>T</sub> = 3.3nF, T<sub>A</sub> = 0°C to + 70°C ,Unless otherwise specified)

| Parameter                    | Symbol                    | Conditions                                  | Min. | Typ.  | Max.  | Unit    |
|------------------------------|---------------------------|---|------|-------|-------|---------|
| <b>REFERENCE SECTION</b>     |                           |   |      |       |       |         |
| Output Voltage               | V <sub>REF</sub>          | T <sub>J</sub> = 25°C, I <sub>O</sub> = 1mA | 4.9  | 5.0   | 5.1   | V       |
| Line Regulation              | $\Delta$ V <sub>REF</sub> | V <sub>CC</sub> = 12V to 25V                | -    | 6     | 20    | mV      |
| Load Regulation              | $\Delta$ V <sub>REF</sub> | I <sub>O</sub> = 1mA to 20mA                | -    | 6     | 25    | mV      |
| Output Short Circuit         | I <sub>SC</sub>           | T <sub>a</sub> = 25°C                       | -    | - 100 | - 180 | mA      |
| <b>OSILLATOR SECTION</b>     |                           |   |      |       |       |         |
| Initial Accuracy             | F <sub>OSC</sub>          | T <sub>J</sub> = 25°C                       | 47   | 52    | 57    | KHz     |
| Voltage Stability            | ST <sub>V</sub>           | V <sub>CC</sub> = 12V to 25V                | -    | 0.2   | 1     | %       |
| Amplitude                    | V <sub>OSC</sub>          | V <sub>PIN4</sub> , Peak to Peak            | -    | 1.7   | -     | V       |
| Discharge Current            | I <sub>DISCHG</sub>       | T <sub>J</sub> = 25°C, Pin4 = 2V            | 7.8  | 8.3   | 8.8   | mA      |
| <b>CURRENT SENSE SECTION</b> |                           |   |      |       |       |         |
| Gain                         | G <sub>V</sub>            | (NOTE 2, 3)                                 | 2.85 | 3     | 3.15  | V/V     |
| Maximum Input Signal         | V <sub>I(MAX)</sub>       | V <sub>PIN1</sub> = 5V(NOTE 2)              | 0.9  | 1.0   | 1.1   | V       |
| PSRR                         | PSRR                      | V <sub>CC</sub> = 12V to 25V (NOTE 1, 2)    | -    | 70    | -     | dB      |
| Input Bias Current           | I <sub>BIAS</sub>         | -   | -    | - 2   | -10   | $\mu$ A |
| Delay to Output              | T <sub>D</sub>            | V <sub>PIN3</sub> = 0 V to 2V (NOTE1)       | -    | 100   | 200   | ns      |

## Electrical Characteristics (Continued)

(VCC = 15V, RT = 10KΩ, CT = 3.3nF, TA = 0°C to + 70°C, Unless otherwise specified)

| Parameter                                   | Symbol  | Conditions                        | Min. | Typ. | Max. | Unit |
|---|---------|-----------------------------------|------|------|------|------|
| <b>ERROR AMPLIFIER SECTION</b>              |         |                                   |      |      |      |      |
| Input Voltage                               | VI      | TPIN1 = 2.5V                      | 2.42 | 2.50 | 2.58 | V    |
| Input Bias Current                          | IBIAS   | -                                 | -    | -0.3 | - 2  | uA   |
| Open Loop Gain                              | GVO     | VO = 2V to 4V (NOTE 1)            | 65   | 90   | -    | dB   |
| Unity Gain Bandwidth                        | GBW     | TJ= 25°C (NOTE 1)                 | 0.7  | 1    | -    | MHz  |
| PSRR  | PSRR    | VCC = 12V to 25V (NOTE 1)         | 60   | 70   | -    | dB   |
| Output Sink Current                         | ISINK   | VPIN2 = 2.7V<br>VPIN1 = 1.1V      | 2    | 6    | -    | mA   |
| Output Source Current                       | ISOURCE | VPIN2 = 2.3V<br>VPIN1 = 5.0V      | -0.5 | -0.8 | -    | mA   |
| Output High Voltage                         | VOH     | VPIN2 = 2.3V<br>R1 = 15KΩ to GND  | 5    | 6    | -    | V    |
| Output Low Voltage                          | VOL     | VPIN2 = 2.7V<br>R1 = 15KΩ to Pin8 | -    | 0.8  | 1.1  | V    |
| <b>OUTPUT SECTION</b>                       |         |                                   |      |      |      |      |
| Output Low Level                            | VOL     | ISINK = 20mA                      | -    | 0.1  | 0.4  | V    |
|   |         | ISINK = 200mA                     | -    | 1.5  | 2.2  | V    |
| Output High Level                           | VOH     | ISOURCE = 20mA                    | 13   | 13.5 | -    | V    |
|   |         | ISOURCE = 200mA                   | 12   | 13.5 | -    | V    |
| Rise Time                                   | tR      | TJ = 25°C, C1 = 1nF (NOTE 1)      | -    | 40   | 100  | ns   |
| Fall Time                                   | tF      | TJ = 25°C, C1 = 1nF (NOTE 1)      | -    | 40   | 100  | ns   |
| Output Voltage Swing Limit                  | VOLIM   | VCC = 27V, C1 = 1nF               | -    | 22   | -    | V    |
| <b>UNDER VOLTAGE LOCKOUT SECTION</b>        |         |                                   |      |      |      |      |
| Start Threshold                             | VTH     | UC3842A                           | 15   | 16   | 17   | V    |
|   |         | UC3843A                           | 7.8  | 8.4  | 9.0  | V    |
| Min. Operating Voltage<br>( After turn on ) | VTL     | UC3842A                           | 9    | 10   | 11   | V    |
|   |         | UC3843A                           | 7.0  | 7.6  | 8.2  | V    |
| <b>PWM SECTION</b>                          |         |                                   |      |      |      |      |
| Maximum Duty Cycle                          | DMAX    | UC3842A/UC3843A                   | 94   | 96   | 100  | %    |
| Minimum Duty Cycle                          | DMIN    | -                                 | -    | -    | 0    | %    |
| <b>TOTAL STANDBY CURRENT</b>                |         |                                   |      |      |      |      |
| Start-Up Current                            | IST     | -                                 | -    | 0.2  | 0.4  | mA   |
| Operating Supply Current                    | ICC     | VPIN2 = VPIN3 = 0V                | -    | 11   | 17   | mA   |
| VCC Zener Voltage                           | VZ      | ICC = 25mA                        | -    | 29   | -    | V    |

\* Adjust VCC above the start threshold before setting at 15V

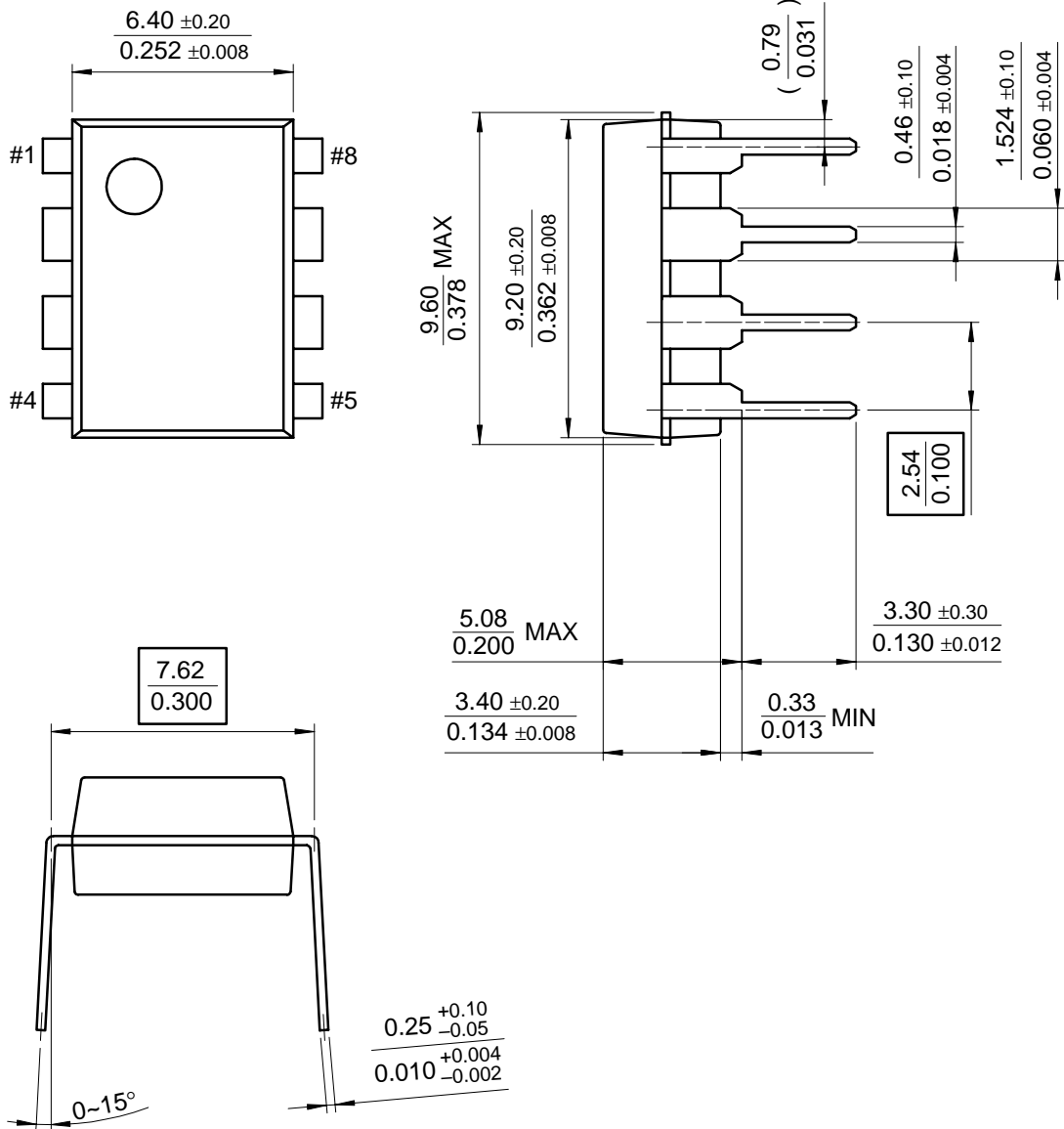
### Notes :

1. These parameters, although guaranteed, are not 100% tested in production.
2. Parameter measured at trip point of latch with V2 = 0V.
3. Gain defined as:  $G_V = \Delta V_{PIN1} / \Delta V_{PIN3}$  ( $V_{PIN3} = 0$  to 0.8V)

# Mechanical Dimensions

## Package

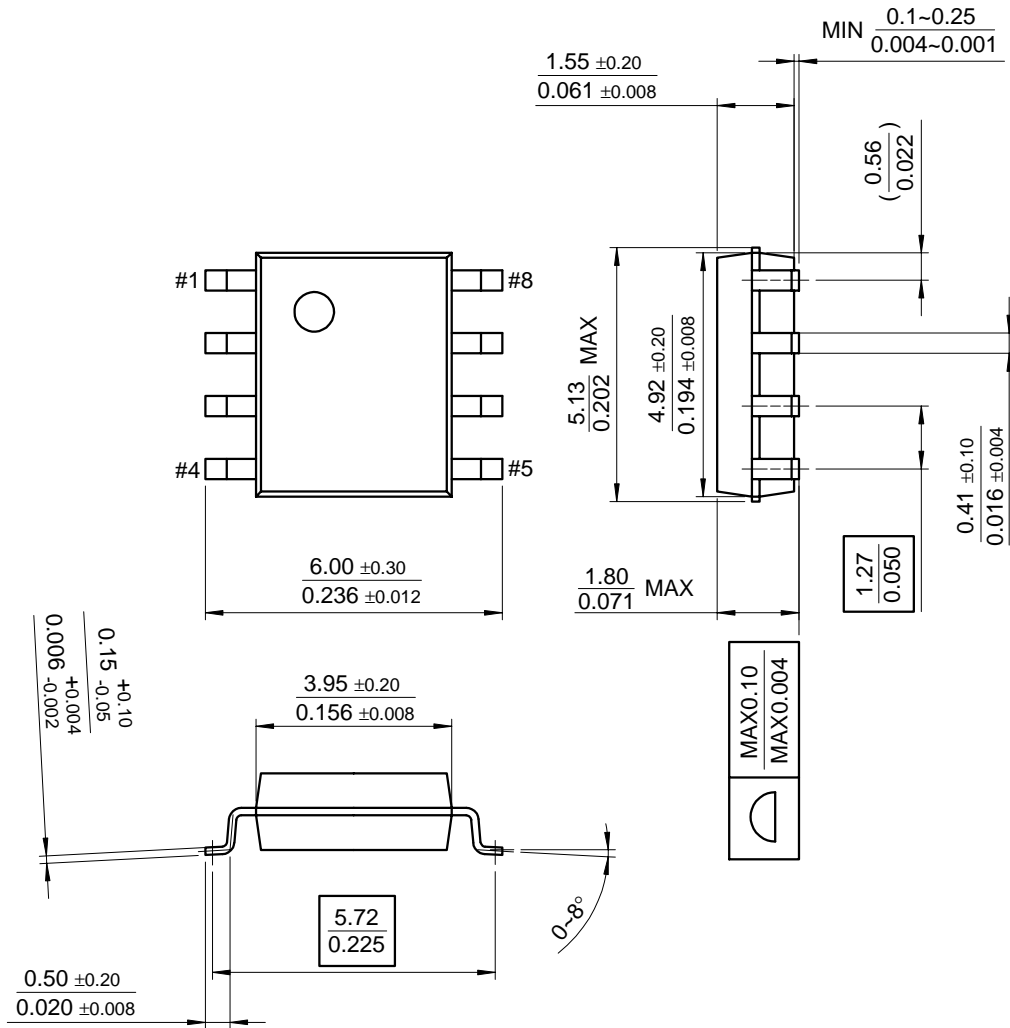
### 8-DIP



### Mechanical Dimensions (Continued)

### Package

## 8-SOP



---

**Ordering Information**

| Product Number | Package | Operating Temperature |
|----------------|---------|-----------------------|
| UC3842AN       | 8 DIP   | 0 ~ + 70°C            |
| UC3842AD       | 8 SOP   |                       |
| UC3843AN       | 8 DIP   |                       |
| UC3843AD       | 8 SOP   |                       |



**LIFE SUPPORT POLICY**

FAIRCHILD'S PRODUCTS ARE NOT AUTHORIZED FOR USE AS CRITICAL COMPONENTS IN LIFE SUPPORT DEVICES OR SYSTEMS WITHOUT THE EXPRESS WRITTEN APPROVAL OF THE PRESIDENT OF FAIRCHILD SEMICONDUCTOR INTERNATIONAL. As used herein:

1. Life support devices or systems are devices or systems which, (a) are intended for surgical implant into the body, or (b) support or sustain life, and (c) whose failure to perform when properly used in accordance with instructions for use provided in the labeling, can be reasonably expected to result in a significant injury of the user.
2. A critical component in any component of a life support device or system whose failure to perform can be reasonably expected to cause the failure of the life support device or system, or to affect its safety or effectiveness.

[www.fairchildsemi.com](http://www.fairchildsemi.com)

---

7/12/00 0.0m 001  
Stock#DSxxxxxxx

© 2000 Fairchild Semiconductor International