

Home > Temperature > Sensors > Silicon Diodes > DT-400

## DT-400 Series Silicon Diodes

[Product Overview](#)
[Tech Specs](#)
[Ordering Information](#)
[Downloads](#)

### U.S. And Canada Only Shipping

At this time, we cannot ship or bill web orders outside of the United States and Canada. We cannot accept credit cards issued from a bank outside of the U.S. or Canada. If you are outside of the U.S. or Canada and would like export prices or order information, please contact your local sales representative by visiting <http://www.lakeshore.com/com/sr.html>.

**Lead Time:** Lake Shore delivers most products from stock and they are shipped within one week (5 business days). If products are not in stock, the typical lead times are as follows. Large quantity orders can effect lead time. Please call (614-891-2244) or [e-mail](#) for the most up to date lead time.

**Sales Tax:** Lake Shore currently collects sales tax in the following states: AZ, CA, FL, IN, OH, SC WA

[Terms & Conditions](#)
[Warranty Statement](#)
[Shipping Charges](#)

Lead Time In Weeks	Color Code
0-1	Yellow
1-4	Blue
4-8	Green
Consult	Red

### Uncalibrated sensor

**Step 1:** Choose diode series, for example DT-470.

**Step 2:** Choose package or mounting adapter – if ordering adapter, substitute the adapter suffix for the SD suffix, for example DT-470-CU

**Step 3:** Choose tolerance band (if applicable), for example DT-470-CU-11.

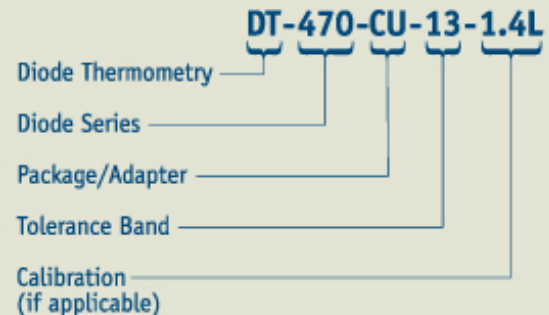
### Calibrated sensor

**Step 1:** Choose diode series, for example DT-470.

**Step 2:** Choose package or mounting adapter – if ordering adapter, substitute the adapter suffix for the SD suffix, for example DT-470-CU-13

**Step 3:** Specify the calibration range suffix code after the model number and package suffix, for example DT-470-CU-13-1.4L

**Note:** When ordering a DT-470, only Band 13 sensors are calibrated.



### DT-400 Series

Calibration Range Suffix Codes

Numeric figure is the low end of the calibration.

Letters represent the high end: S=SoftCal™, D=100 K, L=325 K, H=500 K

	Uncal	2S	3S	1.4D	1.4L	1.4H	4D	4L	4H	70L	70H
Calibration Price		\$132	\$193	\$312	\$342	\$462	\$282	\$312	\$432	\$251	\$372
DT-414-UN	\$203						\$485	\$515			
DT-414M-UN	\$203						\$485	\$515			

www.DataSheet4U.com											
DT-470-BO-11	\$497										
DT-470-BO-11A	\$388										
DT-470-BO-12	\$318										
DT-470-BO-12A	\$257										
DT-470-BO-13	\$227	\$359	\$420	\$539	\$569		\$509	\$539		\$478	
DT-470-CO-11	\$474										
DT-470-CO-11A	\$365										
DT-470-CO-12	\$294										
DT-470-CO-12A	\$234										
DT-470-CO-13	\$203	\$335	\$396	\$515	\$545	\$665	\$485	\$515	\$635	\$454	\$575
DT-470-CU-11	\$509										
DT-470-CU-11A	\$400										
DT-470-CU-12	\$330										
DT-470-CU-12A	\$269										
DT-470-CU-13	\$238	\$370	\$431	\$550	\$580		\$520	\$550		\$489	
DT-470-CY-12	\$341										
DT-470-CY-12A	\$281										
DT-470-CY-13	\$250	\$382	\$443	\$562	\$592		\$532	\$562		\$501	
DT-470-DI-13	\$238										
DT-470-ET-11	\$474										
DT-470-ET-11A	\$365										
DT-470-ET-12	\$294										
DT-470-ET-12A	\$234										
DT-470-ET-13	\$203	\$335	\$396	\$515	\$545		\$485	\$515		\$454	
DT-470-LR-11	\$474										
DT-470-LR-11A	\$365										
DT-470-LR-12	\$294										
DT-470-LR-12A	\$234										
DT-470-LR-13	\$203	\$335	\$396	\$515	\$545		\$485	\$515		\$454	
DT-470-MT-11	\$474										
DT-470-MT-11A	\$365										
DT-470-MT-12	\$294										
DT-470-MT-12A	\$234										
DT-470-MT-13	\$203	\$335	\$396	\$515	\$545		\$485	\$515		\$454	
DT-470-SD-11	\$445										
DT-470-SD-11A	\$335										

DT-470-SD-12	\$265										
DT-470-SD-12A	\$205										
DT-470-SD-13	\$175	\$307	\$368	\$487	\$517	\$637	\$457	\$487	\$607	\$426	\$547

**DT-471**

	Uncal	2 S	10 L	10 H	70 L	70 H
Calibration Price		\$126	\$325	\$440	\$240	\$387
DT-471-BO	\$160	\$286	\$485		\$400	
DT-471-CO	\$137	\$269	\$330	\$449	\$479	\$599
DT-471-CU	\$171	\$297	\$496		\$411	
DT-471-CY	\$183	\$309	\$508		\$423	
DT-471-DI	\$171					
DT-471-ET	\$137	\$263	\$462		\$377	
DT-471-LR	\$137	\$263	\$462		\$377	
DT-471-MT	\$137	\$263	\$462		\$377	
DT-471-SD	\$108	\$234	\$433	\$548	\$348	\$495

**DT-421**

	Uncal	2S	1.4 D	1.4L	4 D	4 L
Calibration Price		\$126	\$297	\$325	\$268	\$296
DT-421-HR	\$143	\$275	\$440	\$468	\$411	\$439

\*Lake Shore does not warrant mechanical damage to the DT-414

DT-414 handling: fragile assembly - must not be turned over on gold wire bond side-handle by edges of substrate or by 50 µm diameter gold leads; unencapsulated device must not be exposed to moisture or corrosive atmosphere

Note: upper temperature limit package dependent - see [Sensor Packages](#) section

Other packaging available by special order - please [consult Lake Shore](#)

**Accessories available for sensors**

SN-CO-C1	CO style sensor clamps for SD package	\$27
ECRIT	Expanded interpolation table	\$83
8000	Calibration report on CD-ROM	\$83
COC-SEN	Certificate of conformance	\$28

**Accessories suggested for installation - see Accessories section for full description**

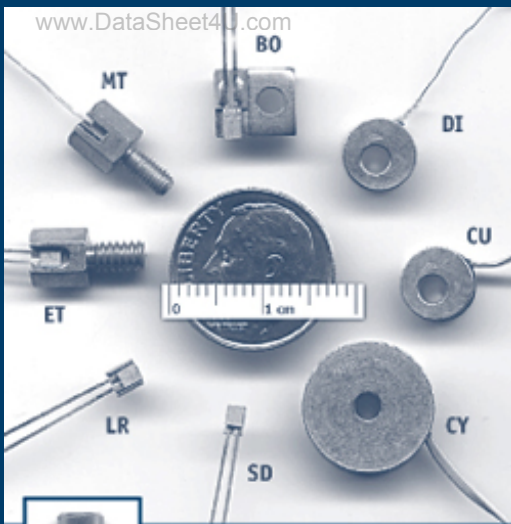
Stycast® epoxy  
 Apiezon® grease  
 90% Pb, 10% Sn solder  
 Indium solder  
 VGE-7031 varnish  
 Phosphor bronze wire  
 Manganin wire

**PACKAGING OPTIONS**

For information on mounting adapters available for use with SD package, [click here](#).

**Detailed description of:**

[Installation](#)  
[Uncalibrated sensors](#)  
[SoftCal™](#)  
[Calibrated sensors](#)  
[CalCurve™](#)  
[Sensor packages](#)



*CO adapter - spring loaded clamp for easy sensor interchangeability*

To add length to sensor leads (SMOD), [click here](#).

[Home](#) | [Temperature](#) | [Magnetics](#) | [Systems](#) | [Order Now & Pricing](#) | [Contact Us](#) | [What's New](#) | [Site Map](#)

Copyright 2004 Lake Shore Cryotronics, Inc.