

ST Series Miniature Rocker and Lever Switches

CONTACT RATINGS

Q Power models - 6 Amps at 125 VAC, 3 Amps at 250 VAC or 7 Amps at 30 VDC (resistive loads).
B Dry Circuit models - 0.4 Volt-Amps (VA) max. at 20 V max. (AC or DC).
UL models - 6 Amps at 125 VAC or 3 Amps at 250 VAC (75% power factor). UL file no. E66367.
CSA models - Same ratings as UL models. CSA file no. LR54592-1.
 See page D10 for other contact ratings.

OTHER RATINGS

Electrical Life: 100,000 cycles min. (ST1-1 and ST2-1 only - other models 40,000 cycles min.) - resistive.
Initial Contact Resistance: 3 milliohms max. at 3 VDC, 0.1 Amp.
Insulation Resistance: Greater than 200,000 megohms between terminals and case ground.
Dielectric Strength: Greater than 2000 VAC for 1 minute between terminals and case ground (sea level).
Operating Temperature Range: -30 to +85 C.

MATERIALS

Actuator - J1 & J2 Glass filled polyester. J3 & J4 Nylon or Acetal.
Bushing - Brass, nickel plated
Strap - Stainless steel
Case - Diallyl phthalate, color red
Contacts - Coin silver for power, UL and CSA models; Gold over nickel over brass for dry circuit models
Support Bracket - Brass or steel, tin plated
Spring Mounting Bracket - Stainless steel
Bezel - Nylon. Available in red, white or black - contact factory for other colors.
Panel Mounting Bracket - Stainless steel.

L.E.D.'s

Intensity: 2.0 mcd at 10 mA. Forward voltage: 2.0 V (3.0 V max.). Max. continuous forward current: 15 mA for red, 30 mA for green and 20 mA for yellow. Red is standard. Yellow and green are optional.
 L.E.D. specifications are subject to change without notice - consult factory.

INDEX

Models with complete model numbers specified Pg. D3 - Pg. D8
 Selection guide for ST series miniature rocker & lever switches Pg. D9- Pg. D10

SPECIFICATIONS SUBJECT TO CHANGE WITHOUT NOTICE.

Options—Actuators Colors available: J1 & J2 - Black, Red or White.
 J3 & J4 - Black only. See order format pg. D9 to specify.

J1 ROCKER

J2 LEVER

J3 ROCKER

J4 LEVER

PANEL MOUNTING INFORMATION

MOUNTING HARDWARE

Hex Nut - Stainless Steel
 Screw - Stainless Steel
 Lock Washer - Stainless Steel
 Stand-Off - Aluminum
 (2 ea. of the above)

1/2 PANEL HARDWARE SUPPLIED IF NOT SPECIFIED

RECOMMENDED PANEL CUTOUTS

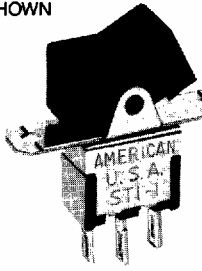
J1 OR J2		
PANEL THKNESS	HARDWARE NO.	STAND-OFF LENGTH
1/16	A322-3	.295
3/32	A322-2	.264
1/8	A322-1	.233

J3	
HARDWARE NO.	STAND-OFF LENGTH
A322-2	.264
A322-1	.233
A322-4	.202

J4	
HARDWARE NO.	STAND-OFF LENGTH
A322-1	.233
A322-4	.202
A322-5	.171

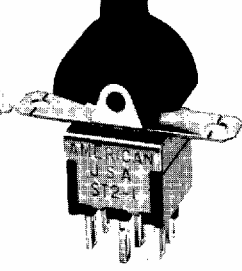
with solder lug terminals
for panel mounting

J1 ROCKER
SHOWN



SINGLE POLE

J2 LEVER
SHOWN



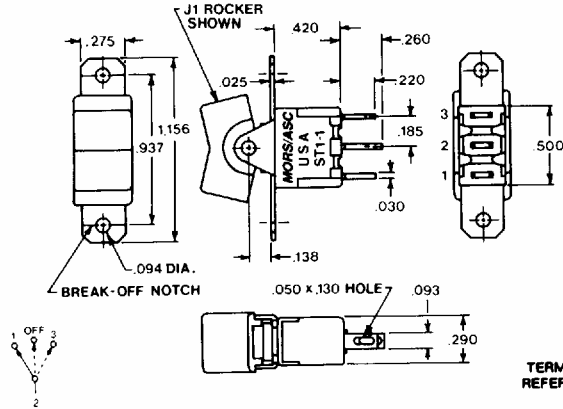
DOUBLE POLE

	MODELS			HANDLE POSITION AND CIRCUITRY		
	Power Circuit Model No.	Dry Circuit Model No.	U.L. Model No.			
S I N G L E	ST1-1L4S4ZQJ1	ST1-1L4S4ZBJ1	UL11L4S4ZQJ1	ON	NONE	ON
	ST1-2L4S4ZQJ1	ST1-2L4S4ZBJ1	UL12L4S4ZQJ1	ON	OFF	ON
	ST1-3L4S4ZQJ1	ST1-3L4S4ZBJ1	UL13L4S4ZQJ1	(ON)	OFF	(ON)
	ST1-4L4S4ZQJ1	ST1-4L4S4ZBJ1	UL14L4S4ZQJ1	ON	OFF	(ON)
	ST1-5L4S4ZQJ1	ST1-5L4S4ZBJ1	UL15L4S4ZQJ1	ON	NONE	(ON)
D O U B L E	ST2-1L4S4ZQJ1	ST2-1L4S4ZBJ1	UL21L4S4ZQJ1	ON	NONE	ON
	ST2-2L4S4ZQJ1	ST2-2L4S4ZBJ1	UL22L4S4ZQJ1	ON	OFF	ON
	ST2-3L4S4ZQJ1	ST2-3L4S4ZBJ1	UL23L4S4ZQJ1	(ON)	OFF	(ON)
	ST2-4L4S4ZQJ1	ST2-4L4S4ZBJ1	UL24L4S4ZQJ1	ON	OFF	(ON)
	ST2-5L4S4ZQJ1	ST2-5L4S4ZBJ1	UL25L4S4ZQJ1	ON	NONE	(ON)
	ST2-6L4S4ZQJ1	ST2-6L4S4ZBJ1	UL26L4S4ZQJ1	ON	ON	ON
	ST2-7L4S4ZQJ1	ST2-7L4S4ZBJ1	UL27L4S4ZQJ1	(ON)	ON	(ON)
	ST2-8L4S4ZQJ1	ST2-8L4S4ZBJ1	UL28L4S4ZQJ1	(ON)	ON	(ON)
	Term. Conn.	Term. Conn.	Term. Conn.	1-2, 4-5	1-2, 5-6	2-3, 5-6

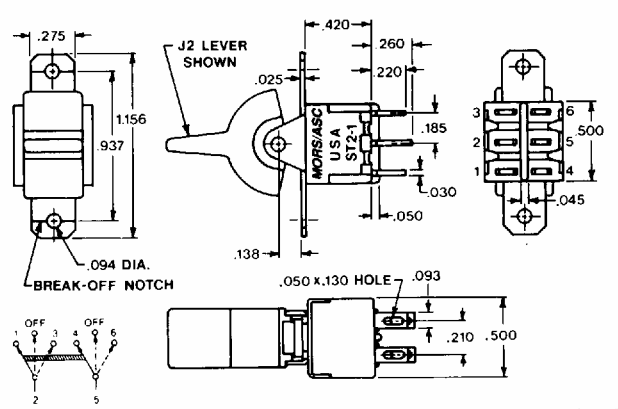
J1 ROCKER ACTUATOR SPECIFIED IN ABOVE MODEL NUMBERS. SEE PAGE D2 FOR J1, J2, J3, J4 ACTUATOR OPTIONS AND DIMENSIONS. CONTACTS MAKE OPPOSITE HANDLE DIRECTION. PARENTHESIS INDICATES MOMENTARY ACTION.

NOTE: ADD ACTUATOR COLOR TO MODEL NUMBER. SEE PAGES D2 & D9.

SINGLE POLE



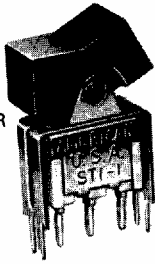
DOUBLE POLE



TERM. NOS. FOR REFERENCE ONLY

with p.c. terminals
for printed circuit mounting

J1 ROCKER
SHOWN



SINGLE POLE

J2 LEVER
SHOWN



DOUBLE POLE

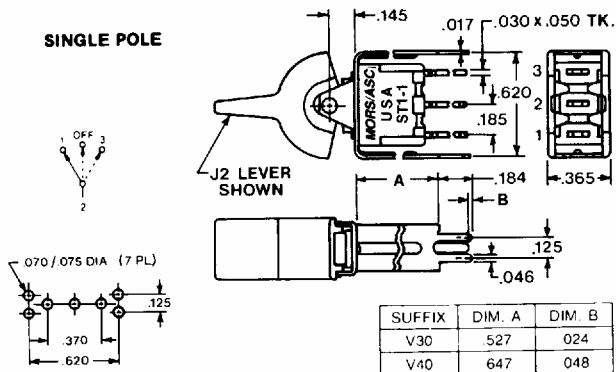
	↑ MODELS			HANDLE POSITION AND CIRCUITRY		
	Power Circuit Model No.	Dry Circuit Model No.	U.L. Model No.			
S I N G L E	ST1-1L4S4V30QJ1	ST1-1L4S4V30BJ1	UL11L4S4V30QJ1	ON	NONE	ON
	ST1-2L4S4V30QJ1	ST1-2L4S4V30BJ1	UL12L4S4V30QJ1	ON	OFF	ON
	ST1-3L4S4V30QJ1	ST1-3L4S4V30BJ1	UL13L4S4V30QJ1	(ON)	OFF	(ON)
	ST1-4L4S4V30QJ1	ST1-4L4S4V30BJ1	UL14L4S4V30QJ1	ON	OFF	(ON)
	ST1-5L4S4V30QJ1	ST1-5L4S4V30BJ1	UL15L4S4V30QJ1	ON	NONE	(ON)
D O U B L E	ST2-1L4S4V30QJ1	ST2-1L4S4V30BJ1	UL21L4S4V30QJ1	ON	NONE	ON
	ST2-2L4S4V30QJ1	ST2-2L4S4V30BJ1	UL22L4S4V30QJ1	ON	OFF	ON
	ST2-3L4S4V30QJ1	ST2-3L4S4V30BJ1	UL23L4S4V30QJ1	(ON)	OFF	(ON)
	ST2-4L4S4V30QJ1	ST2-4L4S4V30BJ1	UL24L4S4V30QJ1	ON	OFF	(ON)
	ST2-5L4S4V30QJ1	ST2-5L4S4V30BJ1	UL25L4S4V30QJ1	ON	NONE	(ON)
	ST2-6L4S4V30QJ1	ST2-6L4S4V30BJ1	UL26L4S4V30QJ1	ON	ON	ON
	ST2-7L4S4V30QJ1	ST2-7L4S4V30BJ1	UL27L4S4V30QJ1	(ON)	ON	(ON)
	ST2-8L4S4V30QJ1	ST2-8L4S4V30BJ1	UL28L4S4V30QJ1	(ON)	ON	(ON)
	Term. Conn.	Term. Conn.	Term. Conn.	1-2, 4-5	1-2, 5-6	2-3, 5-6

J1 ROCKER ACTUATOR SPECIFIED IN ABOVE MODEL NUMBERS. SEE PAGE D2 FOR J1, J2, J3, J4 ACTUATOR OPTIONS AND DIMENSIONS. CONTACTS MAKE OPPOSITE HANDLE DIRECTION. PARENTHESIS INDICATES MOMENTARY ACTION.

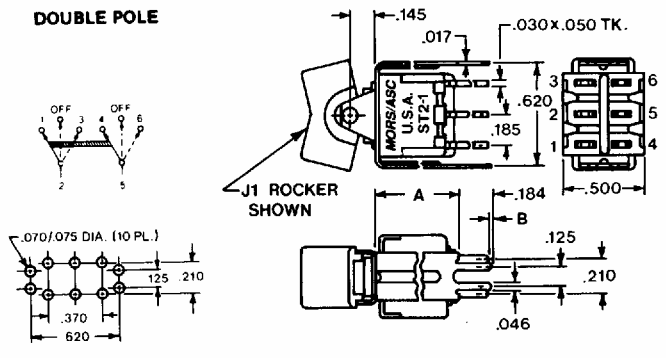
↑ MODELS LISTED HAVE V30 TERMINATIONS. IF V40 (SEE TABLE BELOW) OR V70, V71, V80 OR V81 (SEE PAGE C13) IS DESIRED, SUBSTITUTE FOR V30 IN MODEL NUMBER.

NOTE: ADD ACTUATOR COLOR TO MODEL NUMBER. SEE PAGES D2 & D9.

SINGLE POLE



DOUBLE POLE



SUFFIX	DIM. A	DIM. B
V30	.527	.024
V40	.647	.048

SPECIFICATIONS SUBJECT TO CHANGE WITHOUT NOTICE.