



IO/IOO BASE-T TRANSFORMER MODULES

- **M**agnetic Designs To Support Every PHY.
- **C**omplies With IEEE 802.3 Standard Including 350uH Min OCL With 8mA Bias.
- **O**perating Temperature Range: 0°C to +70°C.
- **F**or RoHS Part Add Suffix G.

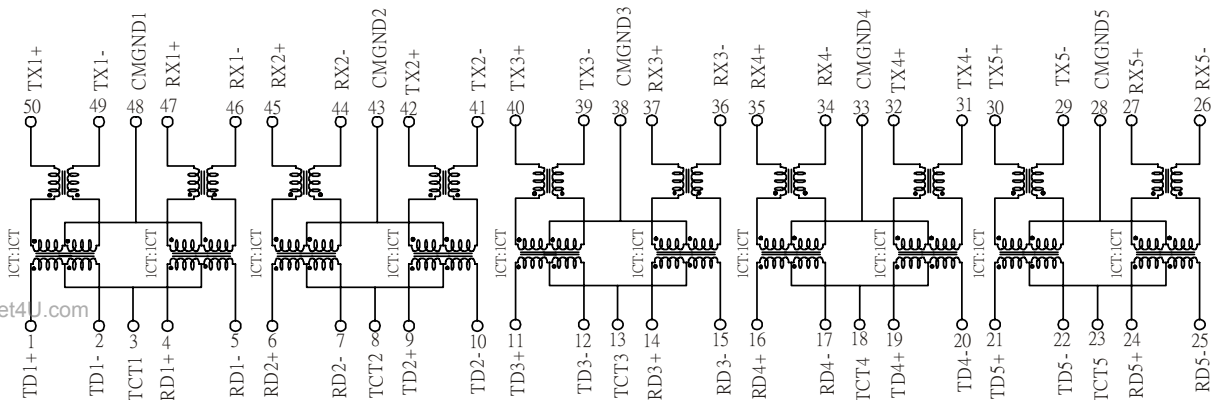


ELECTRICAL SPECIFICATIONS @ 25°C (Operating Temperature 0°C to +70°C)

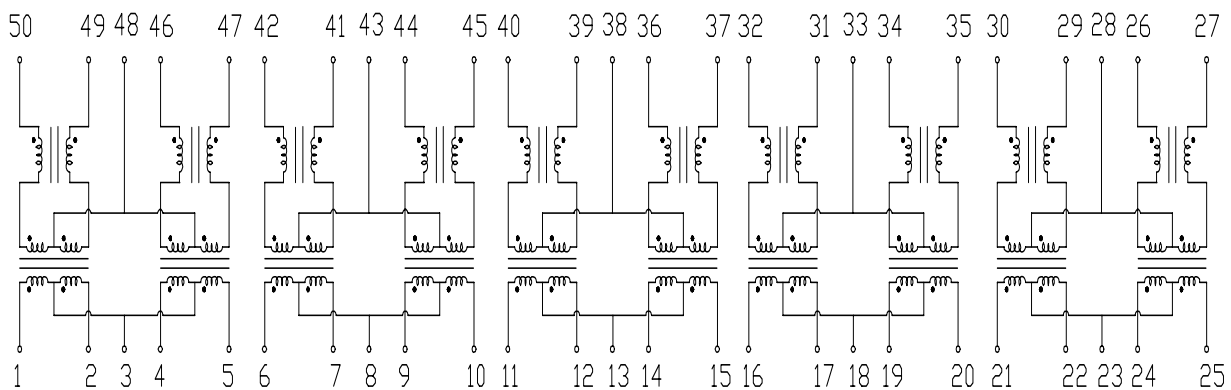
Part Number	Insertion Loss (dB max)		Return Loss (dB min)			CMRR (dB min)			Crosstalk (dB min)	
	0.3-100MHz	0.3-30MHz	40MHz	50MHz	60-80MHz	0.3-30MHz	60MHz	80-100MHz	0.3-30MHz	60-100MHz
H50601DR	-1.1	-18	-14.4	-13.1	-12	-40	-35	-30	-42	-33
H50602DR	-1.1	-18	-14.4	-13.1	-12	-40	-35	-30	-42	-33
H50603DR	-1.1	-18	-14.4	-13.1	-12	-40	-35	-30	-42	-33

SCHEMATICS

H50601DR



H50602DR



Head Office
MAGTEK TECHNOLOGY INC.
Tel : 886-3-3694878
Fax: 886-3-3690778

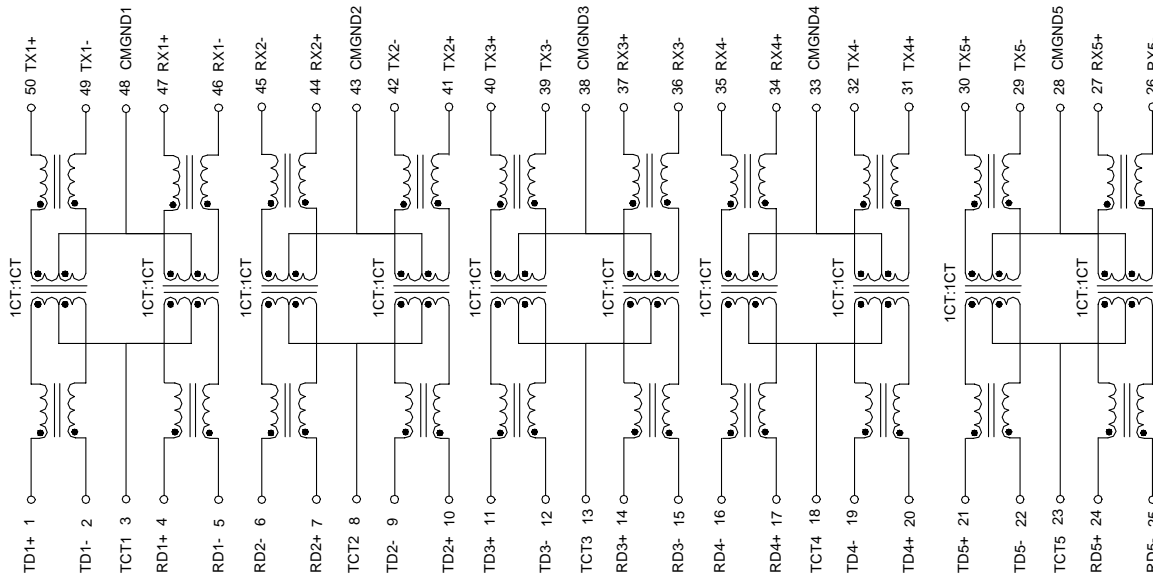
ShenZhen Office
MAGTEK TECHNOLOGY INC.
Tel : 286-755-83347151
Fax: 286-755-83363151

China Factory
MAGTEK INTERNATIONAL INC.
Tel : 286-769-86636536
Fax: 286-769-86326256



IO/IOO BASE-T TRANSFORMER MODULES

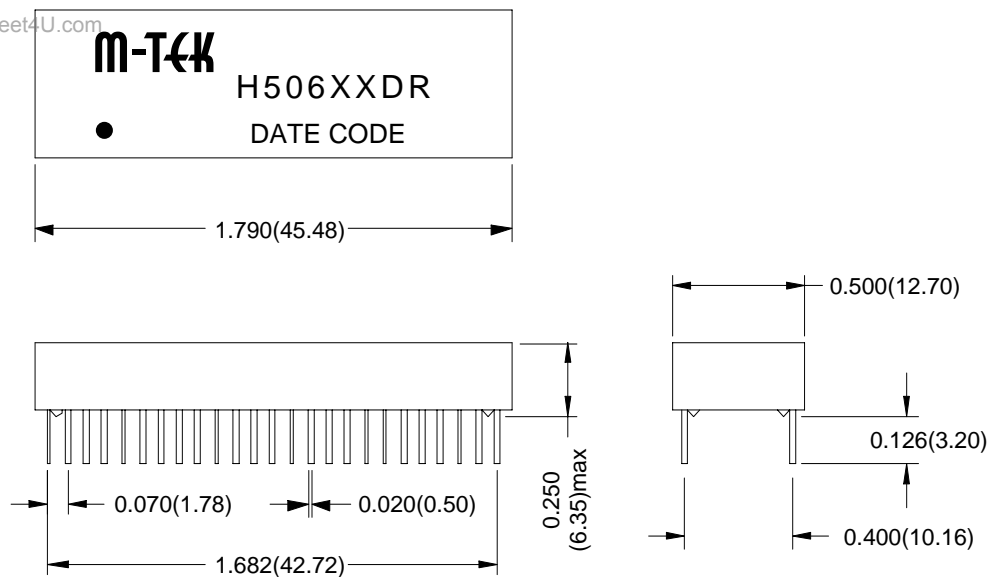
H50603DRG



MECHANICAL SPECIFICATIONS

H506XXDR

www.DataSheet4U.com



DIMENSIONS : INCHES(mm) UNLESS OTHERWISE SPECIFIED ALL TOLERANCES ARE ± 0.010(0.25).

Head Office
MAGTEK TECHNOLOGY INC.
Tel : 886-3-3694878
Fax: 886-3-3690778

ShenZhen Office
MAGTEK TECHNOLOGY INC.
Tel : 286-755-83347151
Fax: 286-755-83363151

China Factory
MAGTEK INTERNATIONAL INC.
Tel : 286-769-86636536
Fax: 286-769-86326256