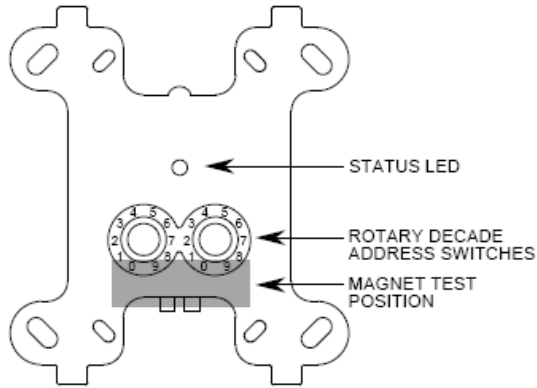


Clip Addressable Output Module



Features:

- SSL approved
- LED indication
- 99 per loop
- Easy to install
- Rotary wheel for ease of addressing
- Loop powered (When used as relay)
- Simply break tab for non monitored relay operation

Description:

The SSC-CMX2 control module is an addressable output module that can be used either as a relay or a supervised 24VDC output using CLIP protocol (99 detectors and 99 modules per loop).

Breaking the tab on the module changes operation from monitored output to a changeover relay.

Rotary decade switches are used to set the address of each module.

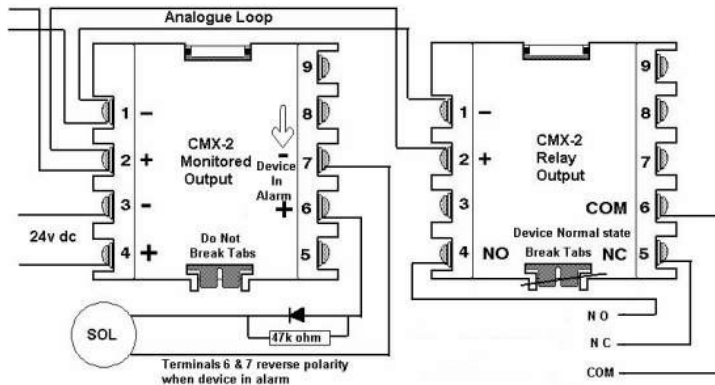
Specifications:

Nominal operating voltage: 15 to 32 VDC
 EOL resistance: 47K ohms (only required when used as a monitored output)
 Temperature range: 0°C to 49°C
 Dimensions: 115mm H x 100mm W x 31mm D
 Mounting Box: (SMB500) 125mm H x 125mm W x 50mm D

Approvals:

SSL Approved, ActivFire Listing: afp 1801

Wiring Diagrams:



Distributors For:



51/9 Hoyle Avenue
 Castle Hill NSW 2154
 Australia

PO Box 6009
 Dural DC NSW 2158
 Australia

tel 02 8850 2888
 fax 02 8850 2999
 www.firesense.com.au

FireSense Pty Ltd as trustee for FireSense Trust ABN 11 720 788 915